



2024 Catalog

ROLL
AIR SPRINGS

1600-25

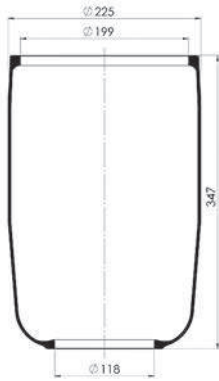
Pallet Size: 115*80*91 Product Weight (Kg): 1,65 Pallet Quantity: 70

CROSS REFERENCES

OEM REFERENCES

TEMSA

F-25 SAFİR FRONT



1600-111

Pallet Size: 115*80*91 Product Weight (Kg): 1,08 Pallet Quantity: 60

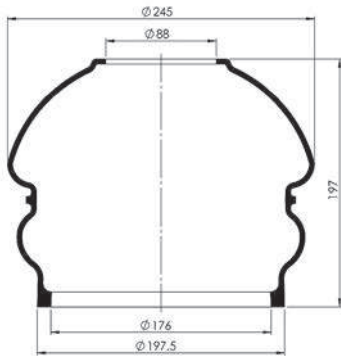
CROSS REFERENCES

OEM REFERENCES

TOYO

TOYO 85

MAROTON



1600-112

Pallet Size: 115*80*91 Product Weight (Kg): 1,18 Pallet Quantity: 95

CROSS REFERENCES

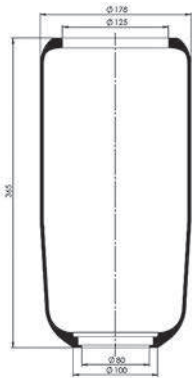
OEM REFERENCES

VIBRACOUSTIC

V01 G12

ISUZU MD27

38888500000



1600-240

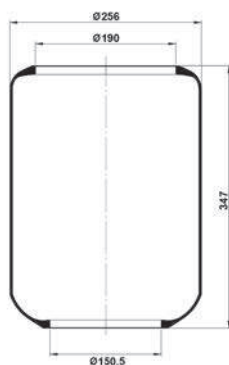
Pallet Size: 115*80*91 Product Weight (Kg): 1,88 Pallet Quantity: 55

CROSS REFERENCES

OEM REFERENCES

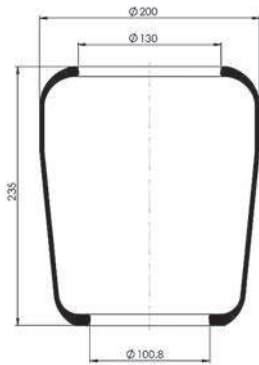
TEMSA

TRL-240 SAFİR REAR



1600-250

Pallet Size: 115*80*91 Product Weight (Kg): 1,05 Pallet Quantity: 120



CROSS REFERENCES

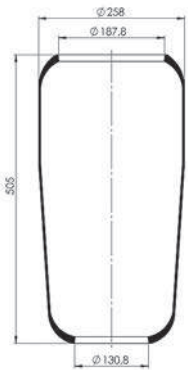
OEM REFERENCES

IVECO

41006926

1600-270

Pallet Size: 115*80*91 Product Weight (Kg): 2,26 Pallet Quantity: 50



CROSS REFERENCES

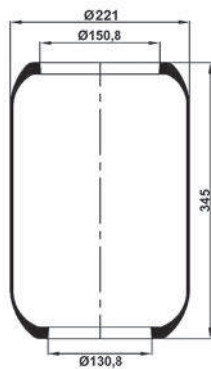
OEM REFERENCES

TOYO

TRL 270

1600-415-25

Pallet Size: 115*80*91 Product Weight (Kg): 2,09 Pallet Quantity: 25



CROSS REFERENCES

OEM REFERENCES

FIRESTONE
CONTITECH
FIRESTONE
GOODYEAR

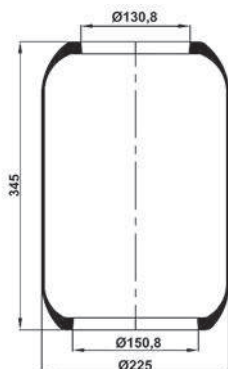
W01-095-0381
RZ415-25
1R5P345290
9004

VOLVO

3027271

1600-415 AT25

Pallet Size: 115*80*91 Product Weight (Kg): 1,86 Pallet Quantity: 80

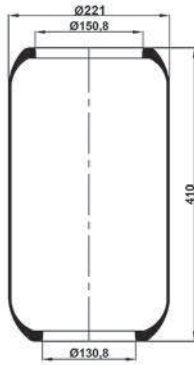


CROSS REFERENCES

OEM REFERENCES

1600-415-28

Pallet Size: 115*80*91 Product Weight (Kg): 2,28 Pallet Quantity: 60



CROSS REFERENCES

FIRESTONE
 CONTITECH
 FIRESTONE
 GOODYEAR

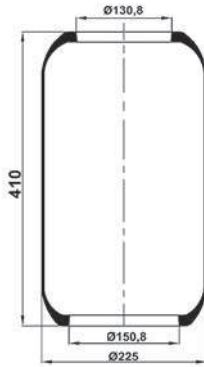
W01-095-0382
 RZ415-28
 1R5P410290
 9005

OEM REFERENCES

VOLVO 3027272

1600-415 AT28

Pallet Size: 115*80*91 Product Weight (Kg): 2,26 Pallet Quantity: 60



CROSS REFERENCES

OEM REFERENCES

1600-450-25

Pallet Size: 115*80*91 Product Weight (Kg): 1,7 Pallet Quantity: 60



CROSS REFERENCES

CONTITECH
 GOODYEAR

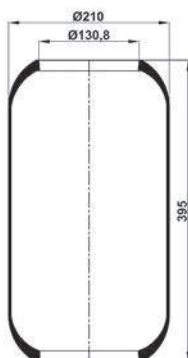
RZ450-25
 9050

OEM REFERENCES

MERCEDES-BENZ 3563270001
 IVECO 93197594
 EVO BUS (Daimler Chrysler) A3563270001

1600-644

Pallet Size: 115*80*91 Product Weight (Kg): 1,5 Pallet Quantity: 80



CROSS REFERENCES

FIRESTONE
 VIBRACOUSTIC
 CONTITECH
 FIRESTONE

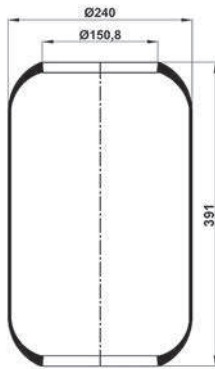
W01-095-0118
 V1E21(-2)
 644 N
 1R1A390295

OEM REFERENCES

VOLVO 1134445 / 1199893
 VAN HOOL 624319-420
 624319-610
 NEOPLAN 100110300
 100112254
 MERCEDES-BENZ 3643277301
 A3643277001
 199196
 MENARRINI 81436010017
 MAN 546905134
 HANOMAG-HENSCHEL 15622
 GRANNING A0003270101
 EVO (MB) A3073280001
 4771143000
 4771170000
 4771441000
 EVO 689677 - 1622111
 DAF 536905265
 BUSSING 02.200.24.40.0
 BPW 7B71090
 BMC

1600-661

Pallet Size: 115*80*91 Product Weight (Kg): 1,875 Pallet Quantity: 60



CROSS REFERENCES

FIRESTONE
VIBRACOUSTIC
CONTITECH
FIRESTONE

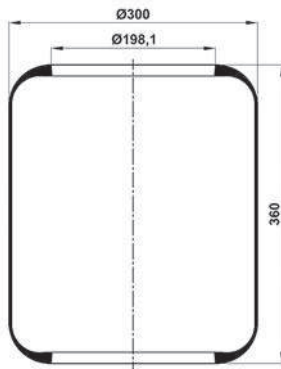
W01-095-0021
V1E25-2
661 N
1R1C390310

OEM REFERENCES

VOLVO 1137882 / 1137888
3159253
VAN HOOL 624319-670
624319-690
SCHMITZ-ANHANGER 750208
NEOPLAN 100112250
AA10-01-001
MAZ 103 / 104C / 105 / 151
MAGIRUS-DEUTZ 2498667
90831120144
IVECO 4746733
41822247
IRIS 5001829866
HANOMAG-HENSCHEL 546905134
GT-FRUEHAUF 536905266
GRANNING 15621
EVO-BUS (Kassbohrer-Setra) 4731012000
4731042000
4771427000
EVO-BUS 4731031000

1600-662

Pallet Size: 115*80*91 Product Weight (Kg): 2,26 Pallet Quantity: 50



CROSS REFERENCES

FIRESTONE
CONTITECH
FIRESTONE
GOODYEAR

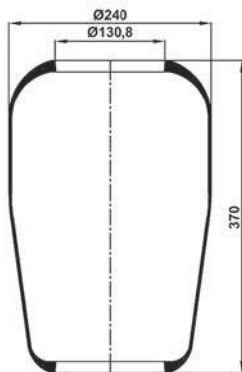
W01-095-0207
662 N
1R1D355355
9007

OEM REFERENCES

WARSTEINER 501
578361
VDL / DAF 2680662000
SICCA 750209
SCHMITZ-ANHANGER 100110200
NEOPLAN 100112251
AA10-01-002
MAN 81436010018
81436010051
GRANNING 15623
BPW 02.200.24.60.0

1600-673

Pallet Size: 115*80*91 Product Weight (Kg): 1,6 Pallet Quantity: 60



CROSS REFERENCES

FIRESTONE
CONTITECH
GOODYEAR
FIRESTONE

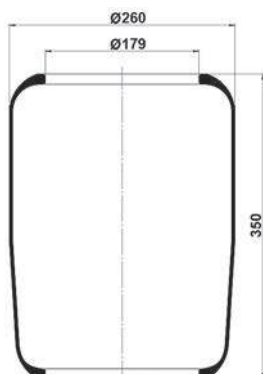
W01-095-0198
673 N
566-03-9051
1R1A370285

OEM REFERENCES

VOLVO 1611776
6135049
VAN HOOL 624319-860
MERCEDES-BENZ 3373270001
3833270001
MAGIRUS-DEUTZ 2491566
INBUS 5001098
EVO BUS (Daimler Chrysler) A3833270001
DAF 627584
BERTOJA 45402001

1600-701

Pallet Size: 115*80*91 Product Weight (Kg): 1,83 Pallet Quantity: 72



CROSS REFERENCES

FIRESTONE
CONTITECH
FIRESTONE
GOODYEAR

W01-095-0205
701 N
1R3M340340
9006

OEM REFERENCES

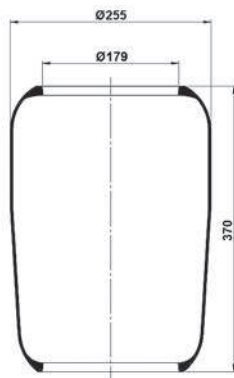
BOVA B510040

1600-701-02

Pallet Size: 115*80*91 Product Weight (Kg): 1,93 Pallet Quantity: 55

CROSS REFERENCES

GOODYEAR 9011

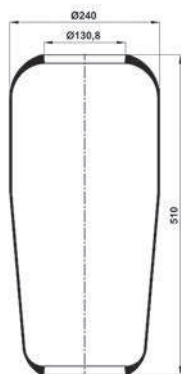
OEM REFERENCES

1600-706

Pallet Size: 115*80*91 Product Weight (Kg): 2,02 Pallet Quantity: 60

CROSS REFERENCES

CONTITECH 706N1

OEM REFERENCES

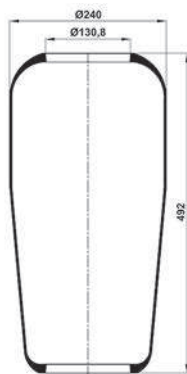
 MAN
 81436010096
 81436010098
 81436010101
 81436010127
 81436010139

1600-713

Pallet Size: 115*80*91 Product Weight (Kg): 1,91 Pallet Quantity: 60

CROSS REFERENCES

CONTITECH 713 N

OEM REFERENCES

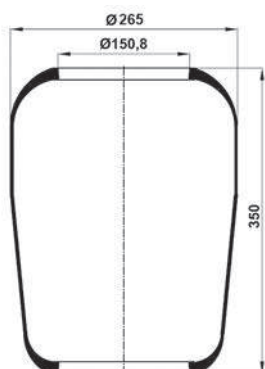
 VOLVO
 1622116
 6797169

1600-715

Pallet Size: 115*80*91 Product Weight (Kg): 1,82 Pallet Quantity: 50

CROSS REFERENCES

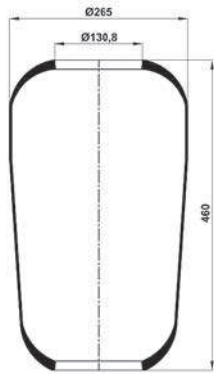
 FIRESTONE W01-095-0087
 CONTITECH 715 N
 FIRESTONE 1R1C335310
 GOODYEAR 8015

OEM REFERENCES

 VOLVO 6885533
 MERCEDES-BENZ A3633280001
 MAN 81436010059
 81436010060
 81436010061
 81436010075
 81436010078
 81436010081
 81436010083
 81436010090
 81436010113
 81436010115
 81436010117
 IVECO 4456111
 4763473
 IRIS BUS (RENAULT V.I.) 5000819517
 DAF 659561


1600-716

Pallet Size: 115*80*91 Product Weight (Kg): 2,44 Pallet Quantity: 50


CROSS REFERENCES

 FIRESTONE
 CONTITECH
 FIRESTONE

 W01-095-0145
 716 N
 1R2A450305

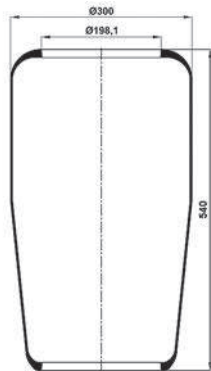
OEM REFERENCES

 VOLVO
 MAN
 MAN

 1593842
 81436010039
 81436010040

1600-719

Pallet Size: 115*80*91 Product Weight (Kg): 3 Pallet Quantity: 30


CROSS REFERENCES

 FIRESTONE
 CONTITECH
 FIRESTONE
 GOODYEAR

 W01-095-0192
 719 N
 1R2D530 360
 8118

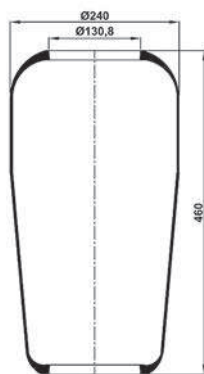
OEM REFERENCES

 SCHMITZ
 NEOPLAN
 NEOPLAN
 GIGANT
 GIGANT
 EVO-BUS
 DAF
 BPW
 BPW

 750215
 100110100
 102100200
 166205
 196036
 4731032000
 818225
 02.200.24.00.0
 05.429.39.64.0

1600-720

Pallet Size: 115*80*80 Product Weight (Kg): 1,88 Pallet Quantity: 60


CROSS REFERENCES

 FIRESTONE
 CONTITECH
 FIRESTONE
 GOODYEAR

 W01-095-0195
 720 N
 1R2A460295
 9008

OEM REFERENCES

 VOLVO
 VOLVO
 NEOPLAN
 MERCEDES-BENZ
 MAN
 MAN
 MAN
 DENNIS
 DENNIS

 1590136
 1629193
 100112300
 3873280101
 81436010033
 81436010036
 81436010037
 650292/8
 650883/7

1600-727

Pallet Size: 115*80*91 Product Weight (Kg): 2,7 Pallet Quantity: 30


CROSS REFERENCES

 FIRESTONE
 CONTITECH
 FIRESTONE
 GOODYEAR

 W01-095-0191
 727 N
 1R2D460360
 8117

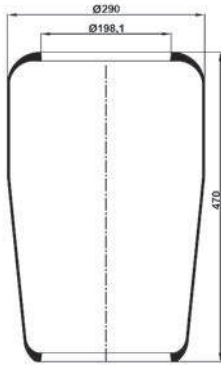
OEM REFERENCES

 VOLVO
 VAN HOOL
 MERCEDES-BENZ
 MAN
 MAN
 MAN
 MAN
 MAN
 MAN
 MAN
 MAN
 MAN
 MAN
 MAN
 MAN
 GIGANT
 GIGANT
 DAF

 1134446
 624319-640
 3073280101
 81436010056
 81436010057
 81436010058
 81436010076
 81436010079
 81436010082
 81436010084
 81436010091
 81436010114
 81436010116
 166226
 196043
 638148

1600-728

Pallet Size: 115*80*91 Product Weight (Kg): 2,66 Pallet Quantity: 30



CROSS REFERENCES

FIRESTONE
CONTITECH
FIRESTONE

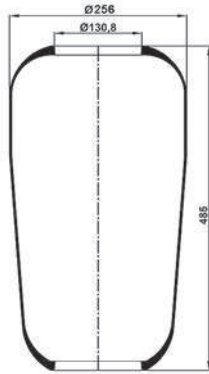
W01-095-0419
728 N
1R2D470360

OEM REFERENCES

SCHMITZ-ANHANGER 750212

1600-737

Pallet Size: 115*80*91 Product Weight (Kg): 2,28 Pallet Quantity: 35



CROSS REFERENCES

FIRESTONE
CONTITECH
FIRESTONE

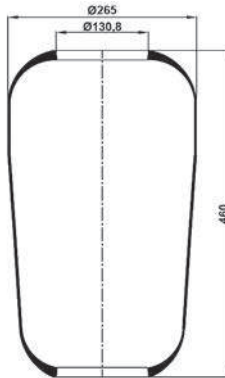
W01-095-0211
737 N
1R2A480330

OEM REFERENCES

MERCEDES-BENZ A3933280101
MENARRINI 178739

1600-746

Pallet Size: 115*80*91 Product Weight (Kg): 2,19 Pallet Quantity: 35



CROSS REFERENCES

CONTITECH

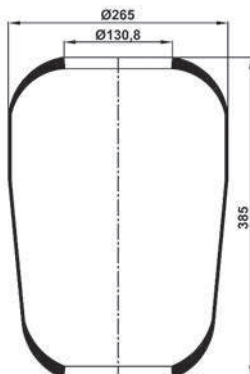
746 N

OEM REFERENCES

MERCEDES-BENZ A3183280001

1600-757

Pallet Size: 115*80*91 Product Weight (Kg): 1,94 Pallet Quantity: 30



CROSS REFERENCES

FIRESTONE
CONTITECH
FIRESTONE

W01-095-0212
757 N
1R2A380305

OEM REFERENCES

MERCEDES-BENZ A3633280201

1600-762

Pallet Size: 115*80*91 Product Weight (Kg): 2,185 Pallet Quantity: 20


CROSS REFERENCES

 FIRESTONE
 CONTITECH
 FIRESTONE
 GOODYEAR

 W01-095-0190
 762 N
 1R2D390360
 9010

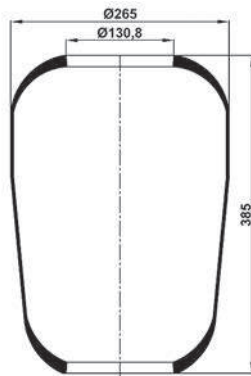
OEM REFERENCES

 VAN HOOL
 NEOPLAN
 MERCEDES-BENZ
 MAN
 MAN
 GIGANT
 GIGANT
 GIGANT
 EVO-BUS (KASSBOHRER)
 DAF
 BPW

 624319460
 102100300
 A3823277101
 81436010049
 81436010052
 161209
 161210
 196035
 4731013000
 644425
 02.200.24.20.0

1600-768

Pallet Size: 115*80*91 Product Weight (Kg): 1,86 Pallet Quantity: 35


CROSS REFERENCES

 FIRESTONE
 CONTITECH
 FIRESTONE

 W01-095-0213
 768 N
 1R2A380330

OEM REFERENCES

 VOLVO
 IRIS

 1612455
 5000954175

1600-769

Pallet Size: 115*80*91 Product Weight (Kg): 1,44 Pallet Quantity: 55


CROSS REFERENCES

 FIRESTONE
 CONTITECH
 GOODYEAR
 FIRESTONE

 W01-095-0204
 769 N
 556-03-8010
 1R1A380260

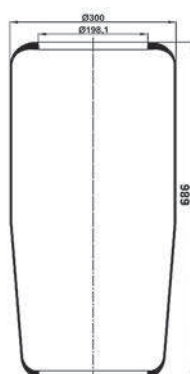
OEM REFERENCES

 VAN HOOL
 MENARRINI
 IRIS BUS (RENAULT V.I.)
 IRIS BUS (RENAULT V.I.)
 IRIS BUS (RENAULT V.I.)

 624319860
 252933
 5000786640
 5000786641
 5000805284

1600-775

Pallet Size: 115*80*91 Product Weight (Kg): Pallet Quantity: 30


CROSS REFERENCES

CONTITECH

775 N

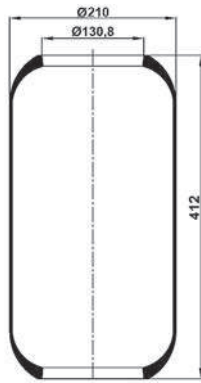
OEM REFERENCES

 KASSBOHRER
 GIGANT
 BPW

 4731040000
 196038
 02.200.24.70.0

1600-782

Pallet Size: 115*80*91 Product Weight (Kg): 1,6 Pallet Quantity: 60



CROSS REFERENCES

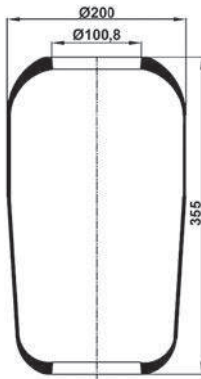
FIRESTONE	W01-095-0197
VIBRACOUSTIC	V1E21D
CONTITECH	782 N
FIRESTONE	1R1A415285

OEM REFERENCES

MERCEDES-BENZ	A3823277201
IVECO	4703904
IVECO	500324098
IVECO	4703972
IVECO	5003 24098
IRIS BUS (RENAULT V.I.)	5000787632
IRIS BUS (RENAULT V.I.)	5000869179
IRIS BUS (RENAULT V.I.)	5000945175
IRIS BUS (RENAULT V.I.)	5000954176

1600-786

Pallet Size: 115*80*91 Product Weight (Kg): 1,31 Pallet Quantity: 60



CROSS REFERENCES

FIRESTONE	W01-095-0436
CONTITECH	786 N
FIRESTONE	1R2S355245

OEM REFERENCES

MAN	81436010053
-----	-------------

1600-788

Pallet Size: 115*80*91 Product Weight (Kg): 1,29 Pallet Quantity: 60



CROSS REFERENCES

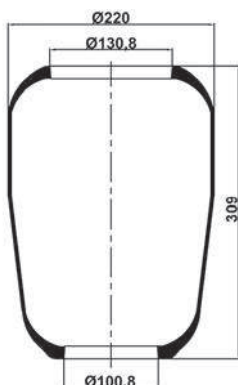
CONTITECH	788 N
-----------	-------

OEM REFERENCES

VOLVO	6782726
VAN HOOL	624319-560
NEOPLAN	100112100
MERCEDES-BENZ	A6743280301

1600-817

Pallet Size: 115*80*91 Product Weight (Kg): 1,21 Pallet Quantity: 60



CROSS REFERENCES

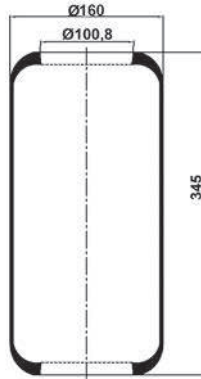
CONTITECH	817 N
-----------	-------

OEM REFERENCES

RENAULT V.I	5000805998
RENAULT V.I	5810111355

1600-819

Pallet Size: 115*80*91 Product Weight (Kg): 1,1 Pallet Quantity: 80



CROSS REFERENCES

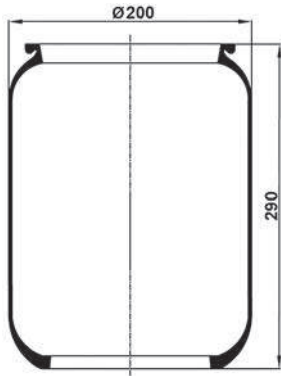
CONTITECH 819 N

OEM REFERENCES

MERCEDES-BENZ A0003280101

1600-822

Pallet Size: 115*80*91 Product Weight (Kg): 1,6 Pallet Quantity: 100



CROSS REFERENCES

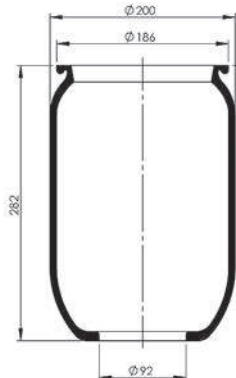
CONTITECH 822 N

OEM REFERENCES

IVECO 4680913
IVECO 41822247
BOVA B180784

1600-822-2

Pallet Size: 115*80*91 Product Weight (Kg): Pallet Quantity: 100



CROSS REFERENCES

CF GOMMA 1T 252-2 / 86984

OEM REFERENCES

1600-838

Pallet Size: 115*80*91 Product Weight (Kg): 2,52 Pallet Quantity: 55



CROSS REFERENCES

CONTITECH 838 N

OEM REFERENCES

MERCEDES-BENZ A6743280001

1600-873

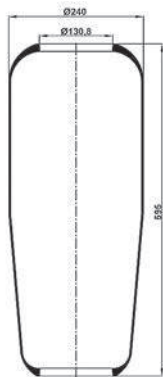
Pallet Size: 115*80*91 Product Weight (Kg): 2,392 Pallet Quantity: 55

CROSS REFERENCES

CONTITECH 873 N

OEM REFERENCES

MERCEDES-BENZ A6743280101

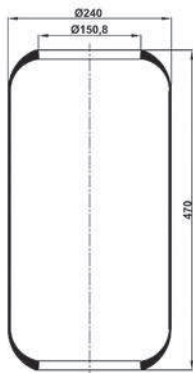

1600-876

Pallet Size: 115*80*91 Product Weight (Kg): 2,24 Pallet Quantity: 50

CROSS REFERENCES

 CONTITECH 876 N
 GOODYEAR 8314

OEM REFERENCES

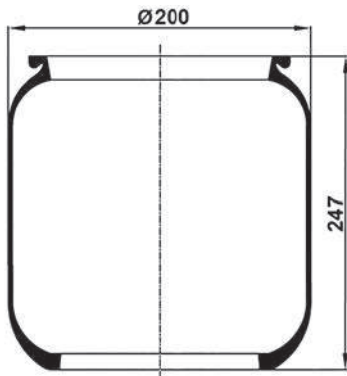
 IVECO 8139068
 IRIS BUS (RENAULT V.I.) 5000296816

1600-879

Pallet Size: 115*80*91 Product Weight (Kg): 1,35 Pallet Quantity: 120

CROSS REFERENCES

CONTITECH 879 N

OEM REFERENCES

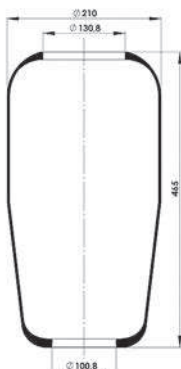
 IVECO 4681868
 BOVA B184138

1600-882

Pallet Size: 115*80*91 Product Weight (Kg): 1,6 Pallet Quantity: 55

CROSS REFERENCES

 FIRESTONE W01-095-0435
 CONTITECH 882 N1
 FIRESTONE 1R4R465260
 GOODYEAR 9048

OEM REFERENCES

 MERCEDES-BENZ A6583280101
 MERCEDES-BENZ A6993280101
 MAN 81436010065
 MAN 81436010067
 MAN 81436010070
 MAN 81436010092
 MAN 81436010099
 MAN 81436010103
 MAN 81436010121
 MAN 81436010132
 MAN 81436010136


1600-883

Pallet Size: 115*80*91 Product Weight (Kg): 2,03 Pallet Quantity: 60



CROSS REFERENCES

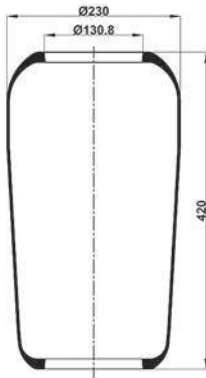
CONTITECH 883 N1
GOODYEAR 9012

OEM REFERENCES

VOLVO 1082085
MAN 81436010071
MAN 81436010072
MAN 81436010110
MAN 81436010128

1600-884

Pallet Size: 115*80*91 Product Weight (Kg): 1,99 Pallet Quantity: 60



CROSS REFERENCES

VIBRACOUSTIC V1F20A
CONTITECH 884 N
GOODYEAR 9002

OEM REFERENCES

RENAULT V.I 5010294157
MERCEDES-BENZ A6583280001
MAZ 643021
MAN 81436010066
MAN 81436010068
MAN 81436010069
MAN 81436010106
MAN 81436010108
IVECO 8188539
IVECO 5000301452
IRIS BUS (RENAULT V.I.) 5010294385

1600-896

Pallet Size: 115*80*91 Product Weight (Kg): 1,64 Pallet Quantity: 80



CROSS REFERENCES

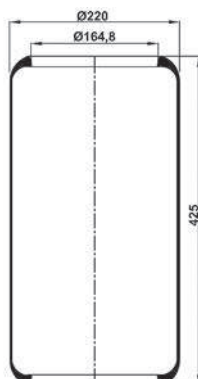
FIRESTONE W01-095-0245
CONTITECH 896 N
FIRESTONE 1R1J520285
GOODYEAR 8040

OEM REFERENCES

SCANIA/SCANIA BUSSAR 411627
DENNIS 655606/1
DENNIS 656300/2

1600-897

Pallet Size: 115*80*91 Product Weight (Kg): 1,73 Pallet Quantity: 80



CROSS REFERENCES

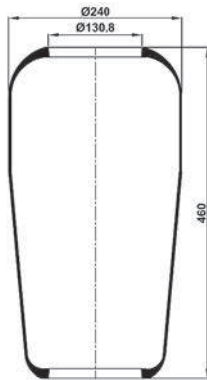
FIRESTONE W01-095-0229
CONTITECH 897 N
FIRESTONE 1R1K440320
GOODYEAR 8028

OEM REFERENCES

SCANIA 402315
SCANIA 411622
SCANIA 411623
PEGASO 794686
PEGASO 795097
DENNIS 656289/2

1600-916

Pallet Size: 115*80*91 Product Weight (Kg): 1,98 Pallet Quantity: 60



CROSS REFERENCES

FIRESTONE	W01-095-0555
CONTITECH	916 N1
GOODYEAR	9015

OEM REFERENCES

OPTARE	L5820005
MAN	81436010095
MAN	81436010097
MAN	81436010100
MAN	81436010102
MAN	81436010105
MAN	81436010126
MAN	81436010138

1600-921

Pallet Size: 115*80*91 Product Weight (Kg): 1,35 Pallet Quantity: 56



CROSS REFERENCES

FIRESTONE	W01-095-0226
CONTITECH	921 N
FIRESTONE	1R1A415260
GOODYEAR	8043

OEM REFERENCES

IRIS BUS (RENAULT V.I.)	5000288982
EVO BUS (DAIMLER CHRYSLER)	A0003280001

1600-927

Pallet Size: 115*80*91 Product Weight (Kg): 1,39 Pallet Quantity: 90



CROSS REFERENCES

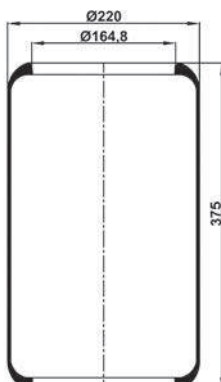
FIRESTONE	W01-095-0244
CONTITECH	927 N
FIRESTONE	1R1J415285
GOODYEAR	8037

OEM REFERENCES

VOLVO	3116354
LEYLAND	AAU2542
DENNIS	611896/12
DENNIS	656299-2

1600-928

Pallet Size: 115*80*91 Product Weight (Kg): 1,49 Pallet Quantity: 60



CROSS REFERENCES

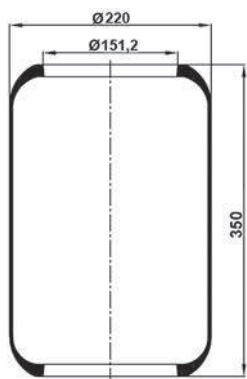
FIRESTONE	W01-095-0228
CONTITECH	928 N
FIRESTONE	1R1K380320
GOODYEAR	8042

OEM REFERENCES

VOLVO	3116983
SCANIA	434932
LEYLAND	10904403
LEYLAND	AAU2544
IVECO	6453741

1600-936

Pallet Size: 115*80*91 Product Weight (Kg): 1,37 Pallet Quantity: 56


CROSS REFERENCES

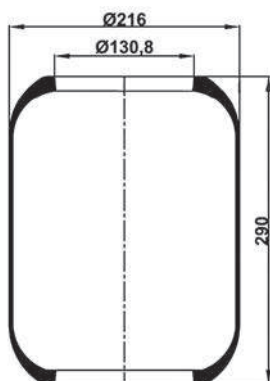
CONTITECH 936 N

OEM REFERENCES

RENAULT V.I 5000819370

1600-943

Pallet Size: 115*80*91 Product Weight (Kg): 1,29 Pallet Quantity: 80


CROSS REFERENCES

 FIRESTONE W01-095-0189
 CONTITECH 943 N
 FIRESTONE 1R1A260285

OEM REFERENCES

 SICCA 4890001
 IVECO 6144040
 INBUS 5001051

1600-944

Pallet Size: 115*80*91 Product Weight (Kg): 1,53 Pallet Quantity: 80


CROSS REFERENCES

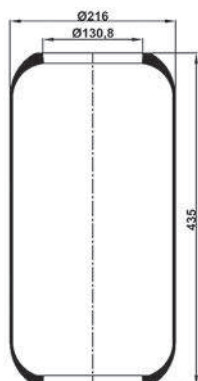
 FIRESTONE W01-095-0121
 VIBRACOUSTIC V1E21-6
 CONTITECH 944 N
 GOODYEAR 556-03-9009
 GOODYEAR 556-03-8016

OEM REFERENCES

 VAN HOOL 624319-860
 SICCA 4890001
 SCANIA 523229
 PORTESI 700176
 MENARRINI 178623
 MENARRINI 325993
 IVECO 4714019
 IVECO 4714025
 IVECO 4722525
 IVECO 4738008
 IVECO 6657150
 IVECO 8188526
 INBUS 4840005
 DAF 627584

1600-945

Pallet Size: 115*80*91 Product Weight (Kg): 1,68 Pallet Quantity: 60


CROSS REFERENCES

 FIRESTONE W01-095-0063
 CONTITECH 945 N
 FIRESTONE 1R1A460290
 GOODYEAR 9014

OEM REFERENCES

 PEGASO 197145
 PEGASO 769388
 MENARRINI 178741
 ACERBI 4716989

1600-946

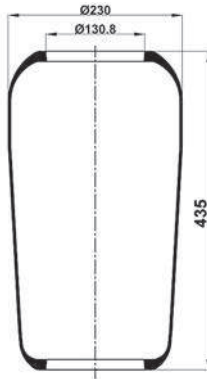
Pallet Size: 115*80*91 Product Weight (Kg): 1,81 Pallet Quantity: 50

CROSS REFERENCES

CONTITECH 946 N

OEM REFERENCES

MERCEDES-BENZ A6283230092


1600-975

Pallet Size: 115*80*91 Product Weight (Kg): 0,77 Pallet Quantity: 100

CROSS REFERENCES

 FIRESTONE W01-095-0437
 CONTITECH 975 N
 FIRESTONE 1R1T320195

OEM REFERENCES

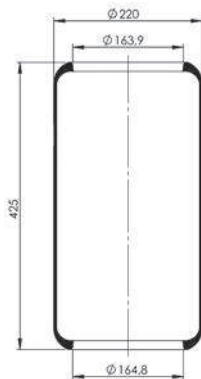
 ZF (ZAHNRADFABRIK PASSAU) 501312548
 MERCEDES-BENZ A6993280101

1600-0545

Pallet Size: 115*80*91 Product Weight (Kg): 1,62 Pallet Quantity: 80

CROSS REFERENCES

FIRESTONE W01-095-0545

OEM REFERENCES

1600-0789

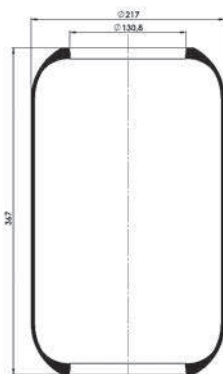
Pallet Size: 115*80*91 Product Weight (Kg): 1,51 Pallet Quantity: 80

CROSS REFERENCES

GOODYEAR 9081

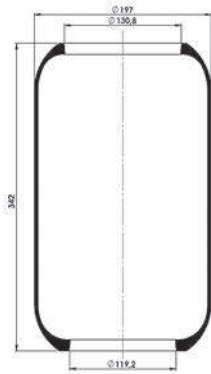
OEM REFERENCES

VOLVO 20 540 789



1600-0792

Pallet Size: 115*80*91 Product Weight (Kg): 1,35 Pallet Quantity: 80



CROSS REFERENCES

GOODYEAR 9082

OEM REFERENCES

VOLVO 20 540 792

1600-0810

Pallet Size: 115*80*91 Product Weight (Kg): 1,2 Pallet Quantity: 80



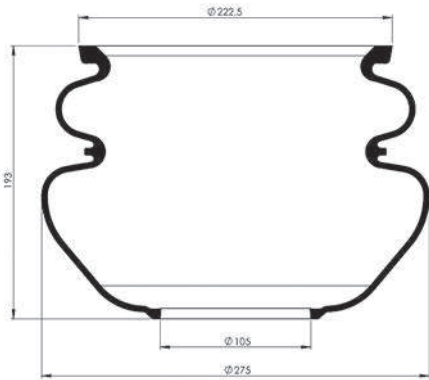
CROSS REFERENCES

FERVIAIR 01-0810

OEM REFERENCES

1600-1010

Pallet Size: 115*80*60 Product Weight (Kg): 1,49 Pallet Quantity: 70



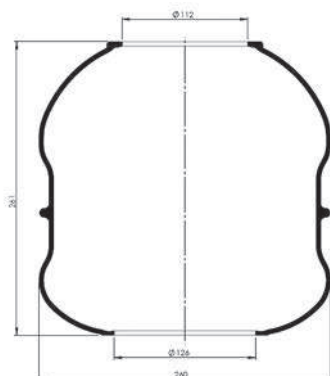
CROSS REFERENCES

OEM REFERENCES

ISUZU 1-52111001-1
HINO 49711-1010

1600-1030

Pallet Size: 115*80*60 Product Weight (Kg): 1,58 Pallet Quantity: 70



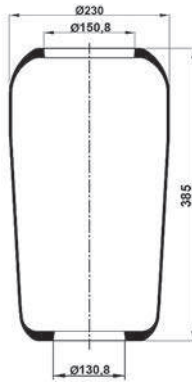
CROSS REFERENCES

OEM REFERENCES

HINO 49711-1030

1600-1234

Pallet Size: 115*80*91 Product Weight (Kg): 2,18 Pallet Quantity: 65



CROSS REFERENCES

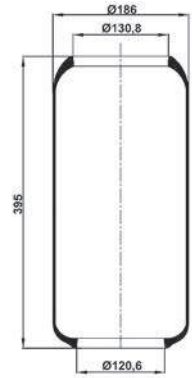
CONTITECH 1234 N1

OEM REFERENCES

IRIS BUS 5010393062

1600-1277

Pallet Size: 115*80*91 Product Weight (Kg): 1,29 Pallet Quantity: 80



CROSS REFERENCES

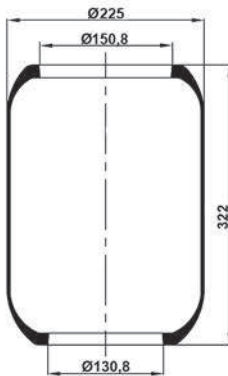
FIRESTONE W01-095-0453
 FIRESTONE 1R4U395260

OEM REFERENCES

VOLVO 3111277

1600-1415

Pallet Size: 115*80*91 Product Weight (Kg): 1,53 Pallet Quantity: 60



CROSS REFERENCES

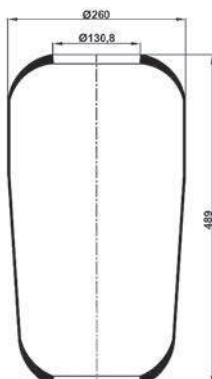
CONTITECH 1415 N

OEM REFERENCES

RENAULT V.I 5006172377
 IRIS BUS (RENAULT V.I.) 5001021414

1600-1421

Pallet Size: 115*80*91 Product Weight (Kg): 2,37 Pallet Quantity: 50



CROSS REFERENCES

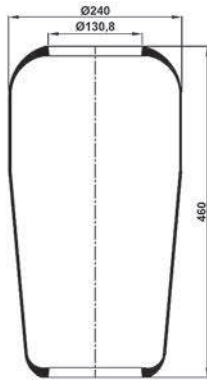
FIRESTONE W01-095-0472
 FIRESTONE 1R2A490305
 CONTITECH 1421 N

OEM REFERENCES

VOLVO 1075290

1600-1720

Pallet Size: 115*80*91 Product Weight (Kg): 1,958 Pallet Quantity: 50



CROSS REFERENCES

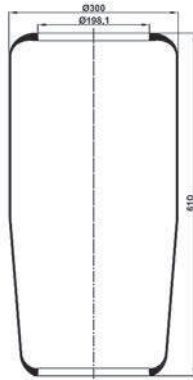
CONTITECH 1720 N

OEM REFERENCES

MERCEDES-BENZ A6553270001

1600-1774

Pallet Size: 115*80*91 Product Weight (Kg): 4,1 Pallet Quantity: 30



CROSS REFERENCES

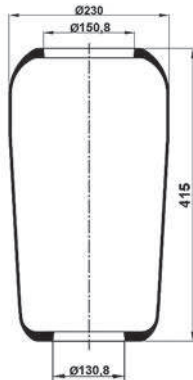
CONTITECH 1774 N

OEM REFERENCES

SCHMITZ-ANHANGER 750225
GIGANT 196039
EVO-BUS (KASSBOHRER-SETRA) 4731038000
BPW 02.200.24.30.0

1600-1782

Pallet Size: 115*80*91 Product Weight (Kg): 1,724 Pallet Quantity: 50



CROSS REFERENCES

CONTITECH 1782 N1

OEM REFERENCES

RENAULT 5010510180
IVECO 504157038
IVECO 5001531180
IRIS BUS 5001857612
IRIS BUS 5010531180

1600-1788

Pallet Size: 115*80*91 Product Weight (Kg): 1,22 Pallet Quantity: 80



CROSS REFERENCES

CONTITECH 1788 N

OEM REFERENCES

IVECO 93166132

1600-1819

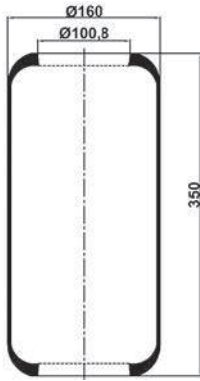
Pallet Size: 115*80*91 Product Weight (Kg): 1,5 Pallet Quantity: 80

CROSS REFERENCES

CONTITECH 1819 N

OEM REFERENCES

IVECO 93166129



1600-1876

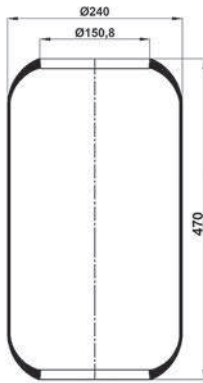
Pallet Size: 115*80*91 Product Weight (Kg): Pallet Quantity: 50

CROSS REFERENCES

CONTITECH 1876 N

OEM REFERENCES

RENAULT 5010294156



1600-1885

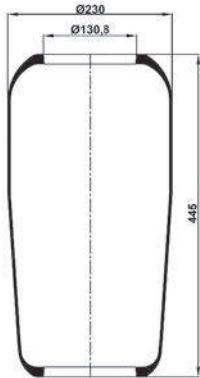
Pallet Size: 115*80*91 Product Weight (Kg): 1,84 Pallet Quantity: 60

CROSS REFERENCES

FIRESTONE W01-095-0429
 FIRESTONE 1R2A445280
 CONTITECH 1885 N1
 GOODYEAR 9003

OEM REFERENCES

MAZ 544008-020
 MAZ 643008-020
 MAN 81436010104
 MAN 81436010109
 MAN 81436010111
 MAN 81436010123
 MAN 81436010125
 MAN 81436010140
 MAN 81436010150
 IVECO 98478799



1600-1886

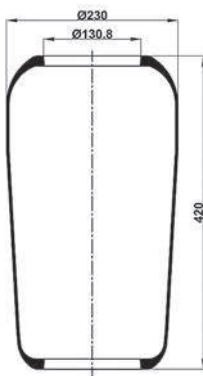
Pallet Size: 115*80*91 Product Weight (Kg): 1,74 Pallet Quantity: 50

CROSS REFERENCES

CONTITECH 1886 N

OEM REFERENCES

MAN 81436010161



1600-1888

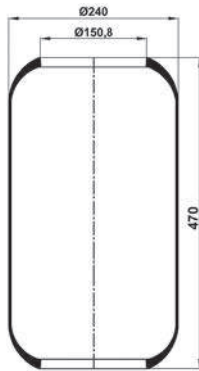
Pallet Size: 115*80*91 Product Weight (Kg): 2,2 Pallet Quantity: 60

CROSS REFERENCES

CONTITECH 1888 N

OEM REFERENCES

MAN 81436010163

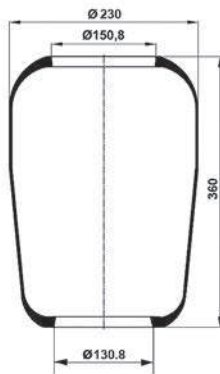

1600-1924

Pallet Size: 115*80*75 Product Weight (Kg): 1,44 Pallet Quantity: 60

CROSS REFERENCES

CONTITECH 1924 N1

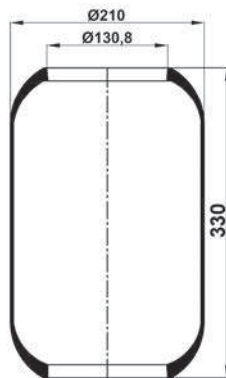
OEM REFERENCES

 VOLVO 1075366
 IRIS BUS (RENAULT V.I.) 5001843640

1600-2006

Pallet Size: 115*80*91 Product Weight (Kg): 1,5 Pallet Quantity: 120

CROSS REFERENCES
OEM REFERENCES

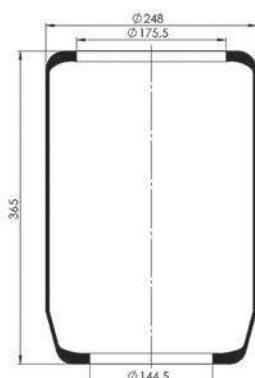
ISUZU MD27 PR-2006


1600-3202

Pallet Size: 115*80*80 Product Weight (Kg): 1,86 Pallet Quantity: 50

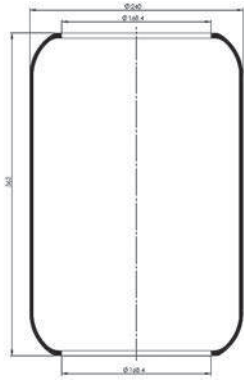
CROSS REFERENCES
OEM REFERENCES

KENWORTH K066-450



1600-3654

Pallet Size: 115*80*80 Product Weight (Kg): 1,58 Pallet Quantity: 28



CROSS REFERENCES

OEM REFERENCES

OTOKAR

DORUK FRONT

1600-4112

Pallet Size: 115*80*91 Product Weight (Kg): 1,15 Pallet Quantity: 95



CROSS REFERENCES

OEM REFERENCES

VIBRACOUSTIC

V1G12b7

OTOKAR

OTOKAR M 2010
MAGIRUS REAR

1600-6305

Pallet Size: 115*80*91 Product Weight (Kg): 1,98 Pallet Quantity: 70



CROSS REFERENCES

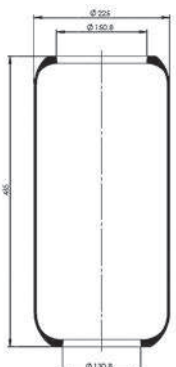
OEM REFERENCES

VOLVO

20573305

1600-6306

Pallet Size: 115*80*91 Product Weight (Kg): Pallet Quantity: 70



CROSS REFERENCES

OEM REFERENCES

VOLVO

20573306

1600-7019

Pallet Size: 115*80*91 Product Weight (Kg): 1,39 Pallet Quantity: 95

CROSS REFERENCES

OEM REFERENCES

VOLVO

41008929



1600-7020

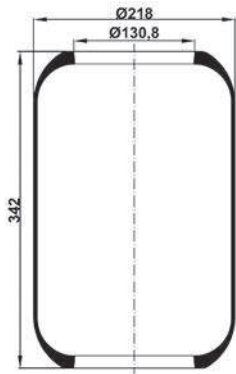
Pallet Size: 115*80*91 Product Weight (Kg): 1,53 Pallet Quantity: 60

CROSS REFERENCES

OEM REFERENCES

IVECO

42531994



1600-7054

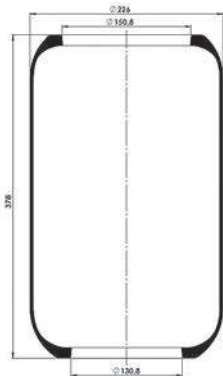
Pallet Size: 115*80*91 Product Weight (Kg): 2,14 Pallet Quantity: 30

CROSS REFERENCES

OEM REFERENCES

CONTITECH 6611 N
GOODYEAR 9138

VOLVO 70377052
VOLVO 70377054



1600-7142

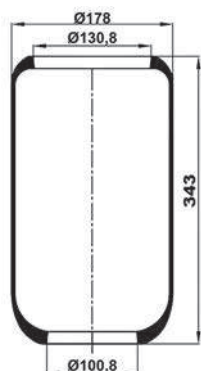
Pallet Size: 115*80*91 Product Weight (Kg): Pallet Quantity: 100

CROSS REFERENCES

OEM REFERENCES

VOLVO

8147142

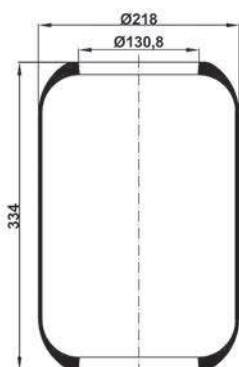


1600-8520

Pallet Size: 115*80*91 Product Weight (Kg): 1,5 Pallet Quantity: 60

CROSS REFERENCES
OEM REFERENCES

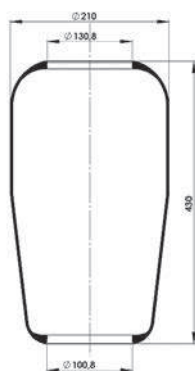
IVECO 4843220


1600-8822

Pallet Size: 115*80*91 Product Weight (Kg): 1,6 Pallet Quantity: 55

CROSS REFERENCES
OEM REFERENCES

CONTITECH 88222 N5 YUTONG 2931-00448


1600-9020

Pallet Size: 115*80*91 Product Weight (Kg): 1,75 Pallet Quantity: 60

CROSS REFERENCES
OEM REFERENCES

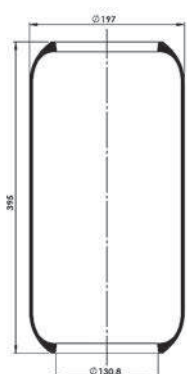
IVECO 500324098


1600-9080

Pallet Size: 115*80*91 Product Weight (Kg): 1,47 Pallet Quantity: 80

CROSS REFERENCES
OEM REFERENCES

GOODYEAR 556-03-9080 VOLVO 20535875



1600-9162 F2

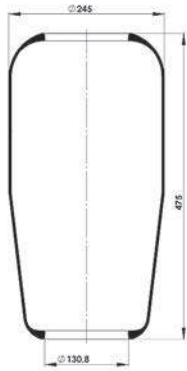
Pallet Size: 115*80*91 Product Weight (Kg): 1,98 Pallet Quantity: 60

CROSS REFERENCES

CONTITECH 9162 N5

OEM REFERENCES

YUTONG 2931-00412



1600-9162 F4

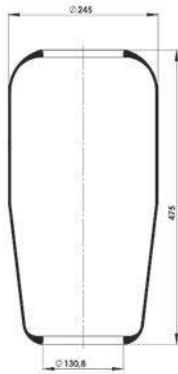
Pallet Size: 115*80*91 Product Weight (Kg): Pallet Quantity: 60

CROSS REFERENCES

CONTITECH 916 N5

OEM REFERENCES

YUTONG 2931-00446



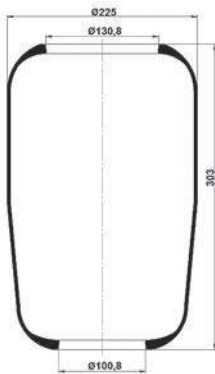
1600-26030

Pallet Size: 115*80*91 Product Weight (Kg): 1,33 Pallet Quantity: 75

CROSS REFERENCES

OEM REFERENCES

IVECO 8137291



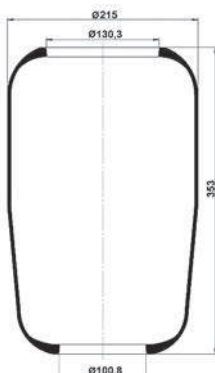
1600-26032

Pallet Size: 115*80*91 Product Weight (Kg): 1,43 Pallet Quantity: 60

CROSS REFERENCES

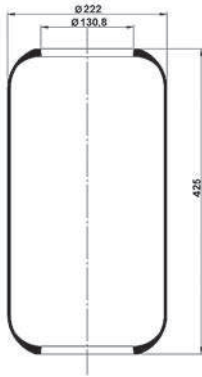
OEM REFERENCES

IVECO 98411807



1600-27025

Pallet Size: 115*80*91 Product Weight (Kg): 1,78 Pallet Quantity: 60



CROSS REFERENCES

CF GOMMA
CF GOMMA

1S270-25C
97608

OEM REFERENCES

1600-27026

Pallet Size: 115*80*91 Product Weight (Kg): 2,05 Pallet Quantity: 60



CROSS REFERENCES

FIRESTONE
VIBRACOUSTIC
FIRESTONE

W01-095-0295
V1E21E
1R1B415-270

OEM REFERENCES

IVECO

500364686

1600-27027

Pallet Size: 115*80*91 Product Weight (Kg): 2,01 Pallet Quantity: 45



CROSS REFERENCES

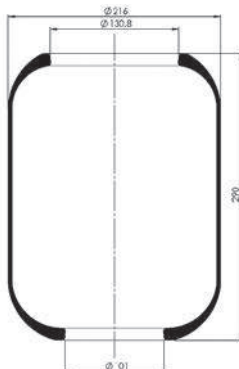
OEM REFERENCES

IVECO
IVECO

203698
500319479

1600-28518

Pallet Size: 115*80*91 Product Weight (Kg): 1,38 Pallet Quantity: 100



CROSS REFERENCES

OEM REFERENCES

IVECO

8160165

1600-32336

Pallet Size: 115*80*91 Product Weight (Kg): 2,18 Pallet Quantity: 45

CROSS REFERENCES

OEM REFERENCES

IVECO

41022620



1600-80018

Pallet Size: 115*80*91 Product Weight (Kg): 1,35 Pallet Quantity: 70

CROSS REFERENCES

OEM REFERENCES

DUNLOP

220380018

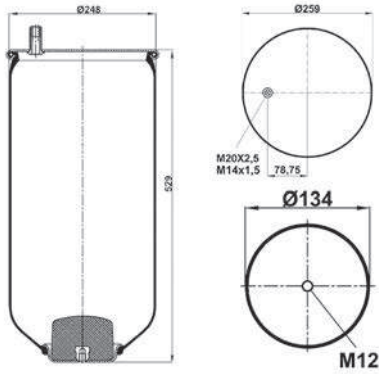




SERVICE ASSEMBLY

1600-113-150 L

Pallet Size: 115*80*80 Product Weight (Kg): 5,41 Pallet Quantity: 24



CROSS REFERENCES

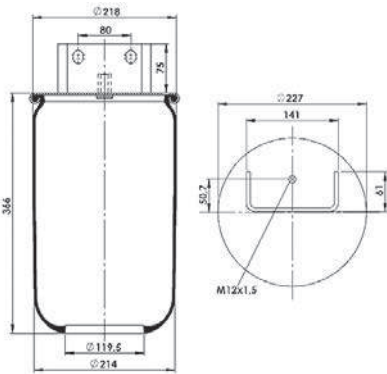
FIRESTONE
GOODYEAR

W01-M58-8747**SA
1R13-150**SA

OEM REFERENCES

1600-220 L

Pallet Size: 115*80*80 Product Weight (Kg): Pallet Quantity: 30

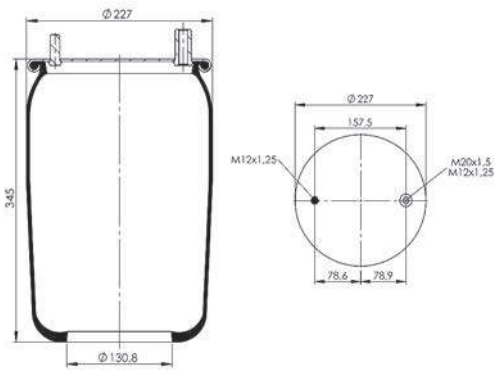


CROSS REFERENCES

OEM REFERENCES

1600-230 L1

Pallet Size: 115*80*80 Product Weight (Kg): 3,09 Pallet Quantity: 30



CROSS REFERENCES

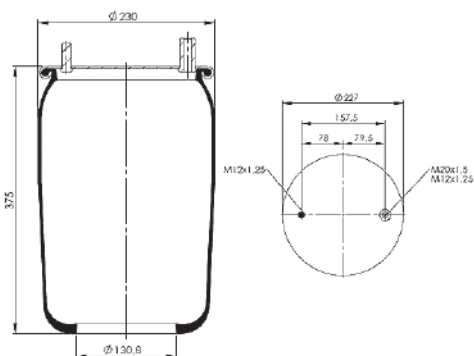
TOYO

TRL 230M

OEM REFERENCES

1600-235 L1

Pallet Size: 115*80*80 Product Weight (Kg): 3,23 Pallet Quantity: 30



CROSS REFERENCES

TOYO

TRL 230L

OEM REFERENCES

1600-235 L2

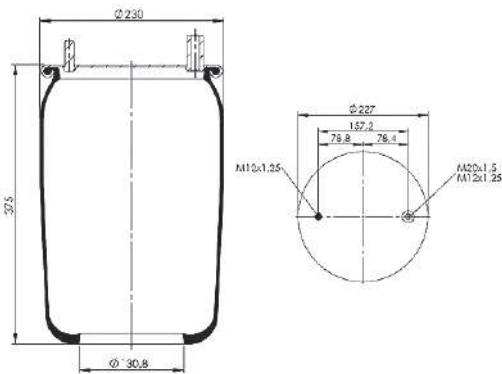
Pallet Size: 115*80*80 Product Weight (Kg): Pallet Quantity: 30

CROSS REFERENCES

TOYO

TRL 230L1A

OEM REFERENCES



1600-235 L3

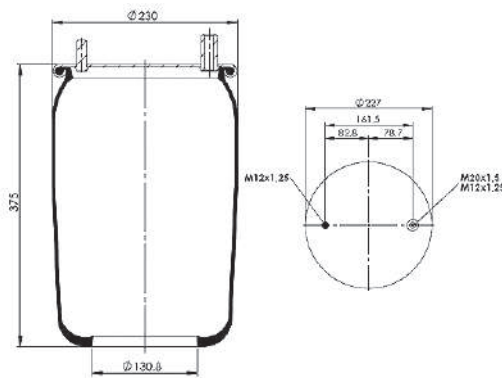
Pallet Size: 115*80*80 Product Weight (Kg): Pallet Quantity: 30

CROSS REFERENCES

TOYO

TRL 230L2A

OEM REFERENCES



1600-236 L

Pallet Size: 115*80*80 Product Weight (Kg): Pallet Quantity: 30

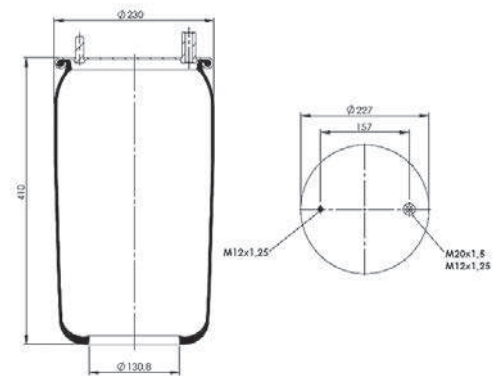
CROSS REFERENCES

TOYO

TRL 230L2A

OEM REFERENCES

SPECIAL PRODUCT



1600-255 L

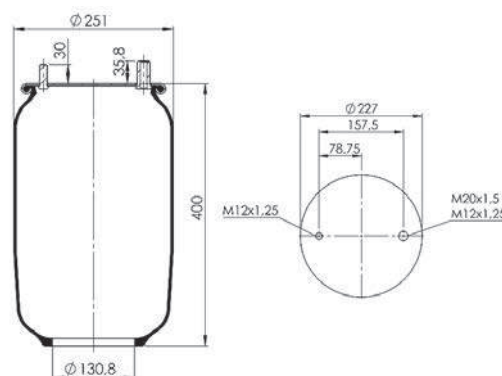
Pallet Size: 115*80*75 Product Weight (Kg): Pallet Quantity: 30

CROSS REFERENCES

TOYO

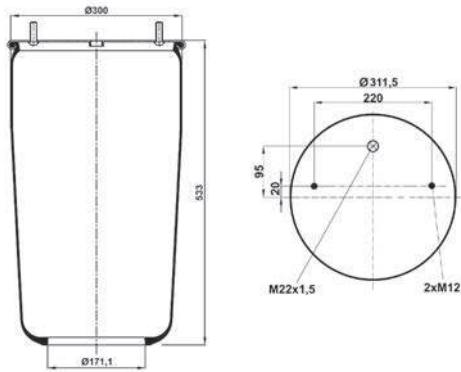
TRL 250LH

OEM REFERENCES



1600-724 L

Pallet Size: 115*80*80 Product Weight (Kg): 3,877 Pallet Quantity: 24



CROSS REFERENCES

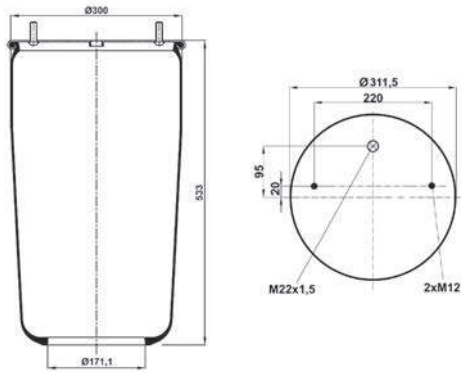
CONTITECH 724 N P01
GOODYEAR 1R11-711

OEM REFERENCES

GIGANT 246169

1600-725 L

Pallet Size: 115*80*80 Product Weight (Kg): 5,35 Pallet Quantity: 22



CROSS REFERENCES

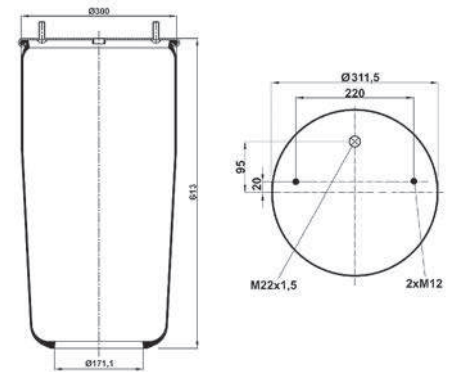
CONTITECH 725 N P01
GOODYEAR 1R14-704

OEM REFERENCES

GIGANT 246149

1600-726 L

Pallet Size: 115*80*91 Product Weight (Kg): Pallet Quantity: 22



CROSS REFERENCES

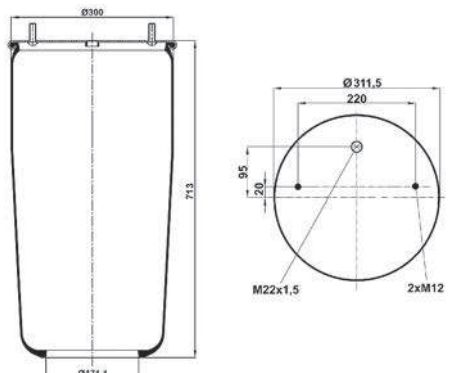
CONTITECH 726 N P01

OEM REFERENCES

GIGANT 246192

1600-752 L

Pallet Size: 115*80*91 Product Weight (Kg): 8,616 Pallet Quantity: 22



CROSS REFERENCES

CONTITECH 752 N P01

OEM REFERENCES

GIGANT 247100

1600-792 L

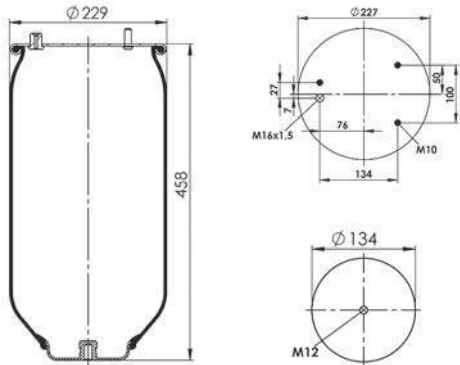
Pallet Size: 115*80*80 Product Weight (Kg): 3,829 Pallet Quantity: 24

CROSS REFERENCES

CONTITECH

792 N P01**SA

OEM REFERENCES



1600-808 A

Pallet Size: 115*80*75 Product Weight (Kg): 4,6 Pallet Quantity: 30

CROSS REFERENCES

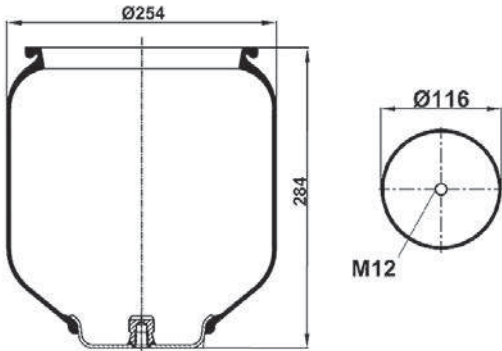
CONTITECH

808NT

OEM REFERENCES

MAN

81436010044



1600-808 AL

Pallet Size: 115*80*75 Product Weight (Kg): 1,86 Pallet Quantity: 30

CROSS REFERENCES

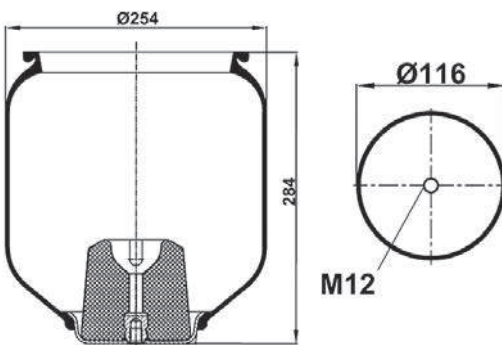
CONTITECH

808NTB

OEM REFERENCES

MAN

81436016017



1600-809 A

Pallet Size: 115*80*75 Product Weight (Kg): 2,6 Pallet Quantity: 30

CROSS REFERENCES

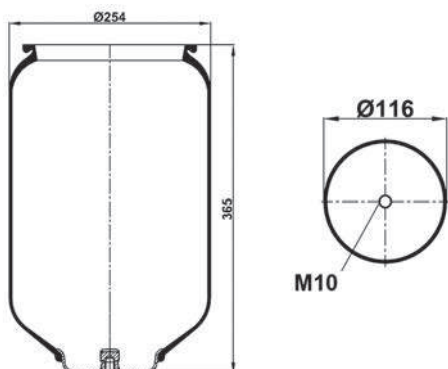
FIRESTONE
CONTITECH
FIRESTONE

W01-M58-0031
809NT
1T15L-6

OEM REFERENCES

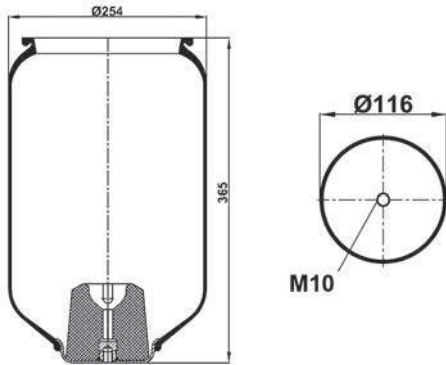
MAN

81436010025



1600-809 AL

Pallet Size: 115*80*75 Product Weight (Kg): 3,25 Pallet Quantity: 30



CROSS REFERENCES

FIRESTONE
CONTITECH
FIRESTONE
GOODYEAR

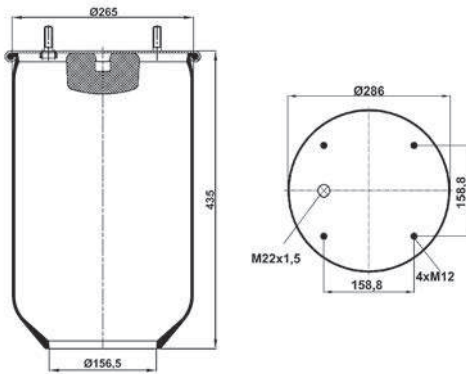
W01-M58-0687
809NTB
1T15L-6
1R12-709

OEM REFERENCES

MAN 81436016002

1600-810 L

Pallet Size: 115*80*75 Product Weight (Kg): 5,05 Pallet Quantity: 24



CROSS REFERENCES

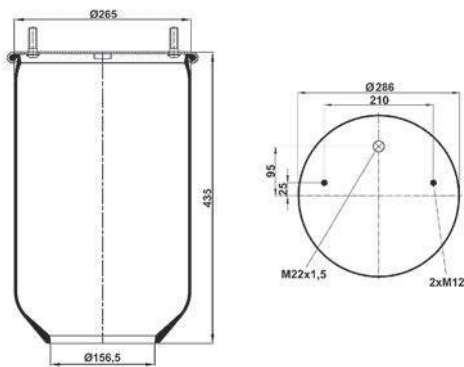
FIRESTONE
VIBRACOUSTIC
CONTITECH
FIRESTONE

W01-M58-7237
V1D28A-5 NP
810 MB/O
1T19L-7

OEM REFERENCES

1600-810 L1

Pallet Size: 115*80*91 Product Weight (Kg): 4,3 Pallet Quantity: 24



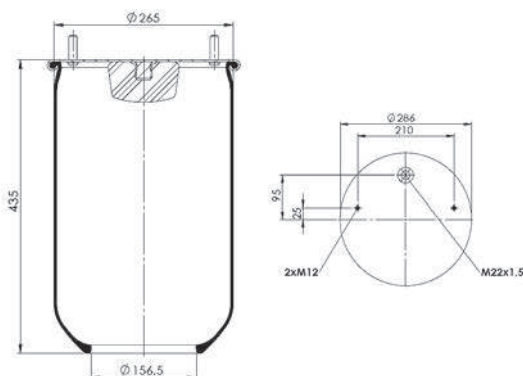
CROSS REFERENCES

OEM REFERENCES

MAN 81436010042

1600-810 L10

Pallet Size: 115*80*91 Product Weight (Kg): 4,88 Pallet Quantity: 24



CROSS REFERENCES

OEM REFERENCES

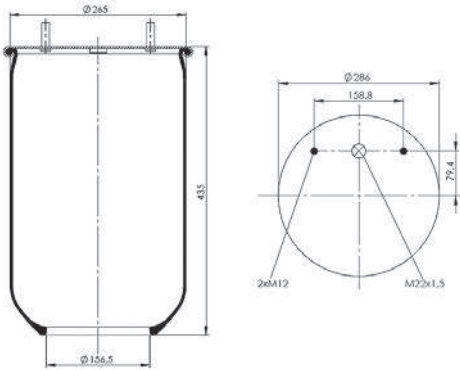
SPECIAL PRODUCT

1600-810 L14

Pallet Size: 115*80*91 Product Weight (Kg): 4,23 Pallet Quantity: 24

CROSS REFERENCES

OEM REFERENCES

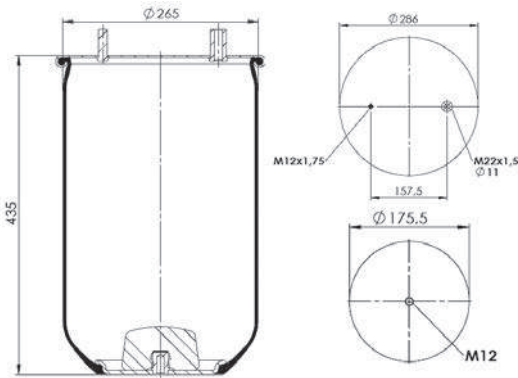


1600-810 L15

Pallet Size: 115*80*91 Product Weight (Kg): Pallet Quantity: 24

CROSS REFERENCES

OEM REFERENCES



FIRESTONE

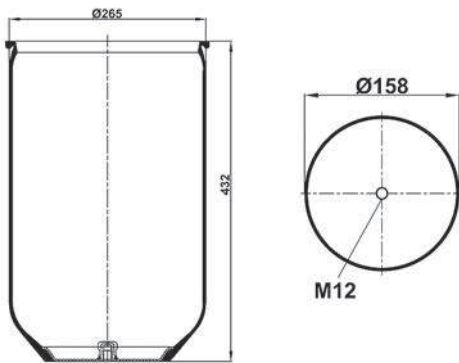
W01-M58-7335**SA

1600-810 A

Pallet Size: 115*80*75 Product Weight (Kg): 3,75 Pallet Quantity: 24

CROSS REFERENCES

OEM REFERENCES



FIRESTONE
 CONTITECH
 FIRESTONE
 GOODYEAR

W01-M58-0491
 810NT
 1T19L-7
 1R14-714

MAN

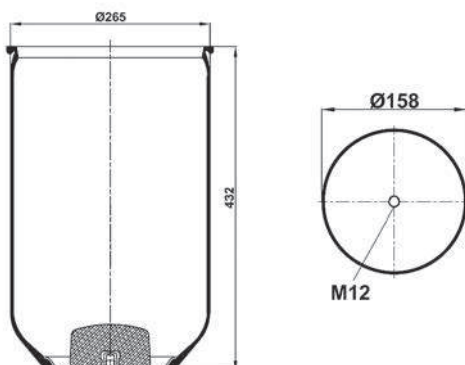
81436010047

1600-810 AL

Pallet Size: 115*80*75 Product Weight (Kg): 3,75 Pallet Quantity: 24

CROSS REFERENCES

OEM REFERENCES



FIRESTONE
 CONTITECH
 FIRESTONE
 GOODYEAR

W01-M58-0749
 810NTB
 1T19L-7
 1R14-713

PEGASO
 MAN

174933
 81436016019

1600-811 L

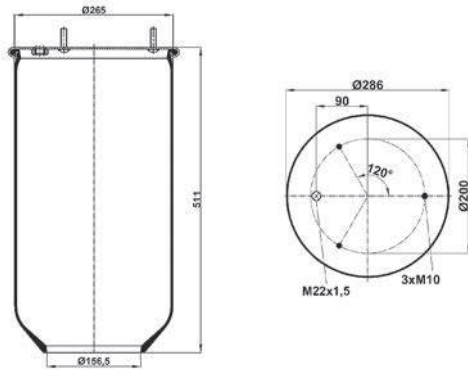
Pallet Size: 115*80*80 Product Weight (Kg): 4,51 Pallet Quantity: 24

CROSS REFERENCES

CONTITECH 811 M

OEM REFERENCES

DAF 67306
DAF 676122



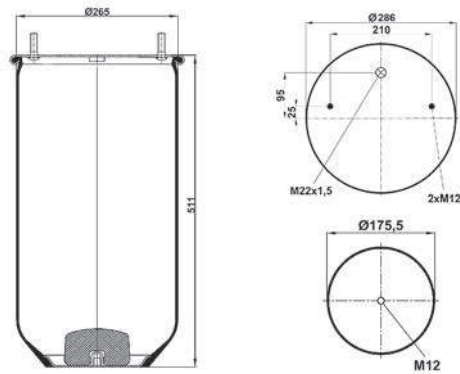
1600-811 L1

Pallet Size: 115*80*80 Product Weight (Kg): 6,41 Pallet Quantity: 24

CROSS REFERENCES

FIRESTONE 1T19L-11

OEM REFERENCES



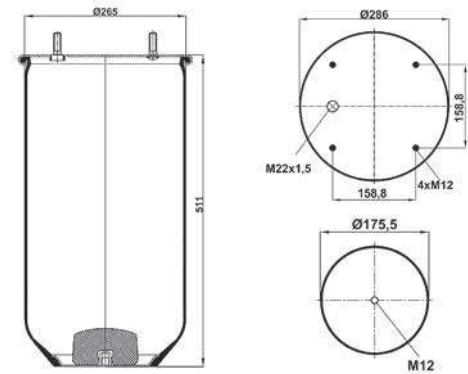
1600-811 L2

Pallet Size: 115*80*80 Product Weight (Kg): 6,62 Pallet Quantity: 24

CROSS REFERENCES

FIRESTONE 1T19L-11

OEM REFERENCES



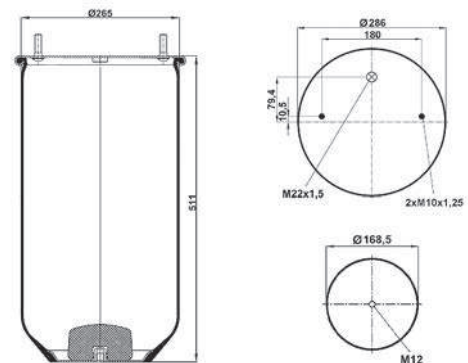
1600-811 L4

Pallet Size: 115*80*80 Product Weight (Kg): 6,41 Pallet Quantity: 24

CROSS REFERENCES

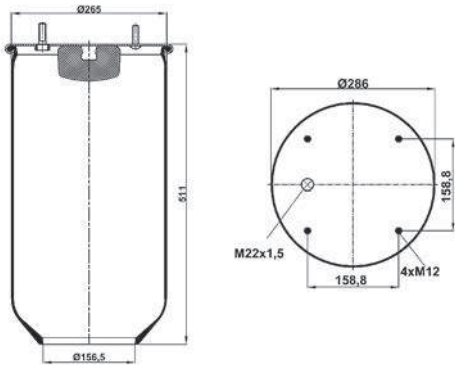
FIRESTONE 1T19L-11

OEM REFERENCES



1600-811 L5

Pallet Size: 115*80*80 Product Weight (Kg): 5,34 Pallet Quantity: 24

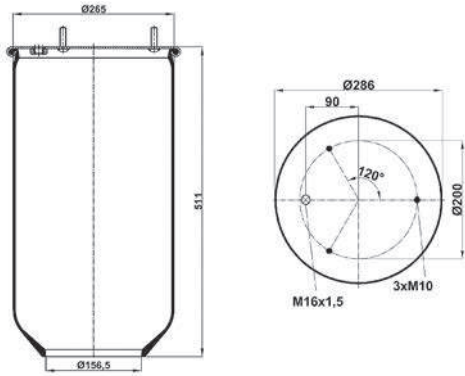


CROSS REFERENCES

OEM REFERENCES

1600-811 L16

Pallet Size: 115*80*80 Product Weight (Kg): 4,949 Pallet Quantity: 24



CROSS REFERENCES

OEM REFERENCES

CONTITECH

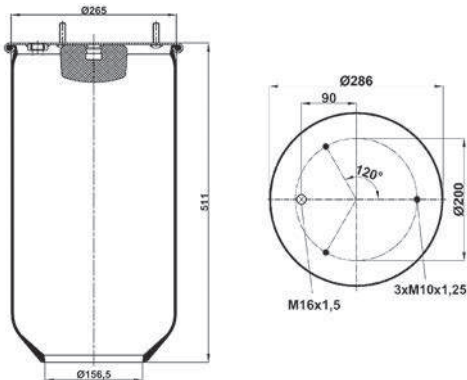
811 M16

DAF

67452

1600-811-A16 L

Pallet Size: 115*80*80 Product Weight (Kg): 5,58 Pallet Quantity: 24



CROSS REFERENCES

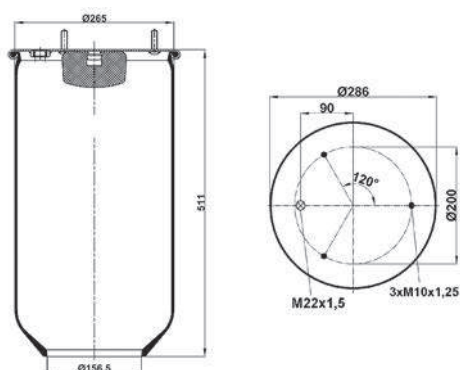
OEM REFERENCES

FIRESTONE

1T19F-11

1600-811-A22 L

Pallet Size: 115*80*80 Product Weight (Kg): 4,28 Pallet Quantity: 24



CROSS REFERENCES

OEM REFERENCES

FIRESTONE
CONTITECH
FIRESTONE

W01-M58-6359
811 MB**SA
1T19F-11

DAF
DAF

4731029000
0526823

1600-811 A

Pallet Size: 115*80*75 Product Weight (Kg): 5,25 Pallet Quantity: 24


CROSS REFERENCES

 FIRESTONE
 CONTITECH
 FIRESTONE
 GOODYEAR

 W01-M58-0028
 811NT
 1T19L-10
 1R14-715

OEM REFERENCES

 MAN
 MAN
 DAF
 81436010035
 81436010048
 4731029000

1600-811 AL

Pallet Size: 115*80*75 Product Weight (Kg): 4,75 Pallet Quantity: 24

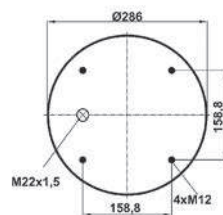
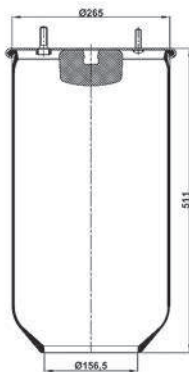

CROSS REFERENCES

 FIRESTONE
 CONTITECH
 FIRESTONE

 W01-M58-0747
 811NTB
 1T19L-10

OEM REFERENCES
1600-813 L

Pallet Size: 115*80*80 Product Weight (Kg): 5,48 Pallet Quantity: 24

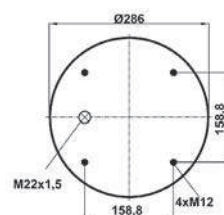

CROSS REFERENCES

 FIRESTONE
 CONTITECH
 FIRESTONE

 W01-M58-7238
 813 MB/O
 1T19L-11

OEM REFERENCES
1600-813 L1

Pallet Size: 115*80*80 Product Weight (Kg): 4,98 Pallet Quantity: 24


CROSS REFERENCES

FIRESTONE

1T19L-11

OEM REFERENCES

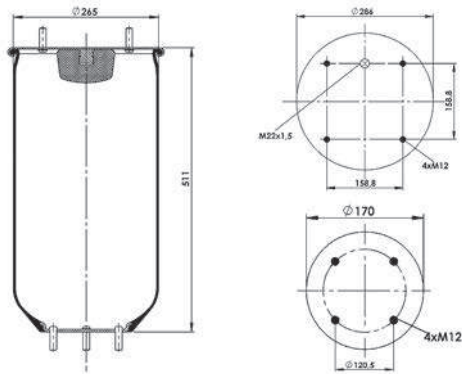
1600-813 L2

Pallet Size: 115*80*80 Product Weight (Kg): 6,59 Pallet Quantity: 24

CROSS REFERENCES

OEM REFERENCES

SPECIAL PRODUCT



1600-813 L6

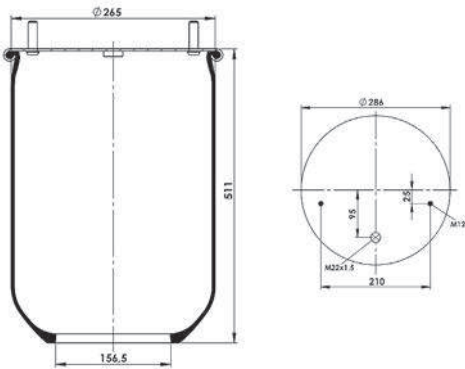
Pallet Size: 115*80*80 Product Weight (Kg): 4,56 Pallet Quantity: 24

CROSS REFERENCES

OEM REFERENCES

FIRESTONE

1T19L-11



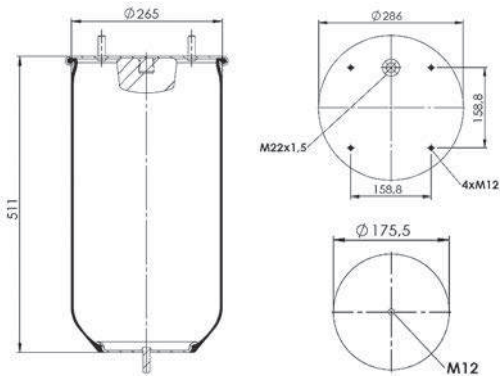
1600-813 L10

Pallet Size: 115*80*80 Product Weight (Kg): Pallet Quantity: 24

CROSS REFERENCES

OEM REFERENCES

SPECIAL PRODUCT



1600-836 L

Pallet Size: 115*80*75 Product Weight (Kg): 4 Pallet Quantity: 28

CROSS REFERENCES

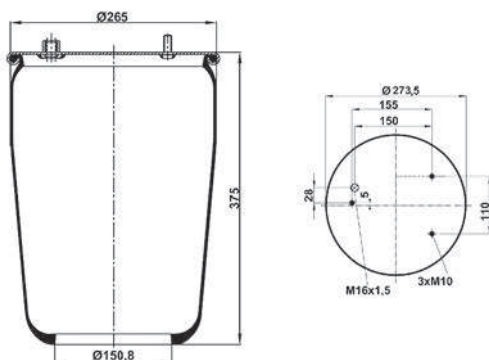
OEM REFERENCES

FIRESTONE
VIBRACOUSTIC
CONTITECH
FIRESTONE
GOODYEAR

W01-M58-0776
V1DF25-1
836 M
1T17AR-4.5
1R12-700

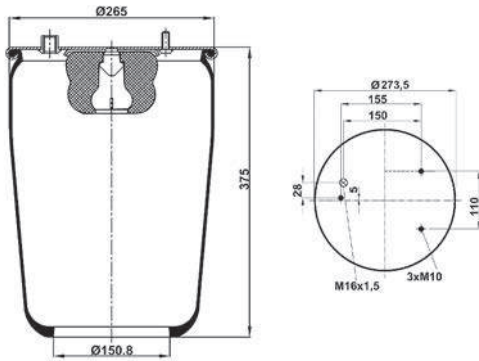
DAF

0 067 504



1600-836 L1

Pallet Size: 115*80*75 Product Weight (Kg): 4,68 Pallet Quantity: 28


CROSS REFERENCES

 FIRESTONE
 VIBRACOUSTIC
 CONTITECH
 FIRESTONE

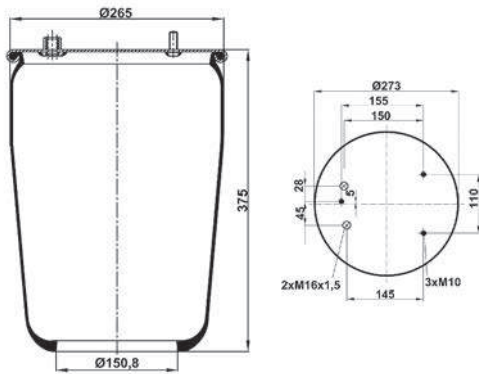
 W01-M58-0775
 V1DF25-4
 836 MB
 1T17AR-4.5

OEM REFERENCES

 DAF
 DAF
 513981
 513985

1600-836 L2

Pallet Size: 115*80*75 Product Weight (Kg): 4,21 Pallet Quantity: 28


CROSS REFERENCES

 FIRESTONE
 VIBRACOUSTIC
 CONTITECH
 FIRESTONE
 GOODYEAR

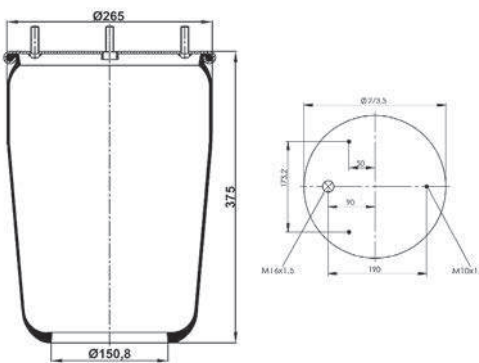
 W01-M58-0777
 V1DF25-3
 836 M2
 1T17AR-4.5
 1R12-710

OEM REFERENCES

 DAF
 513982

1600-836 L3

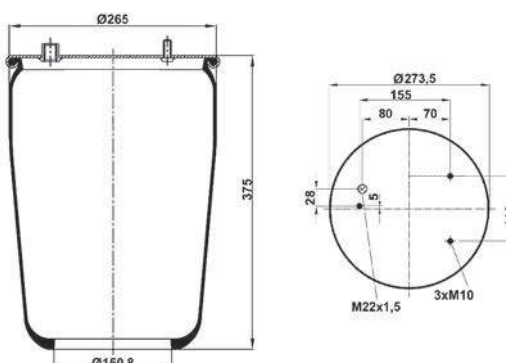
Pallet Size: 115*80*75 Product Weight (Kg): 3,74 Pallet Quantity: 28


CROSS REFERENCES
OEM REFERENCES

 BMC BELDE
 7B 100323BMC P

1600-836 L5

Pallet Size: 115*80*80 Product Weight (Kg): 3,94 Pallet Quantity: 28


CROSS REFERENCES

 CONTITECH
 836 N P05**SA

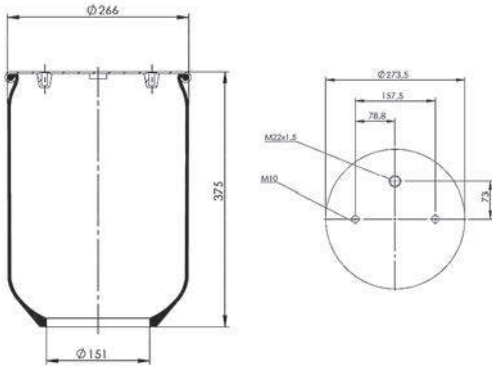
OEM REFERENCES

1600-836 L13

Pallet Size: 115*80*75 Product Weight (Kg): 3,91 Pallet Quantity: 28

CROSS REFERENCES
OEM REFERENCES

SPECIAL PRODUCT

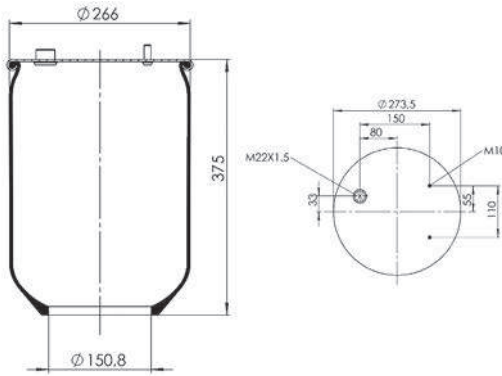

1600-836 L14

Pallet Size: 115*80*75 Product Weight (Kg): 4,04 Pallet Quantity: 28

CROSS REFERENCES
OEM REFERENCES

CONTITECH

836 NP10**SA


1600-881 L

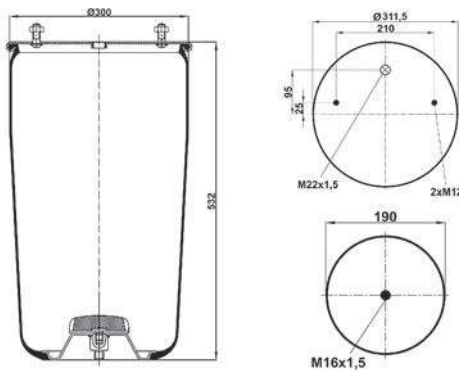
Pallet Size: 115*80*80 Product Weight (Kg): 6,5 Pallet Quantity: 22

CROSS REFERENCES
OEM REFERENCES

 FIRESTONE
 VIBRACOUSTIC
 CONTITECH
 FIRESTONE

 W01-M58-8978
 V1DK32
 881 MB
 1T66F-10.8

 BPW
 BPW

 05.429.40.01.0
 BPW36

1600-887 L

Pallet Size: 115*80*65 Product Weight (Kg): 3,21 Pallet Quantity: 30

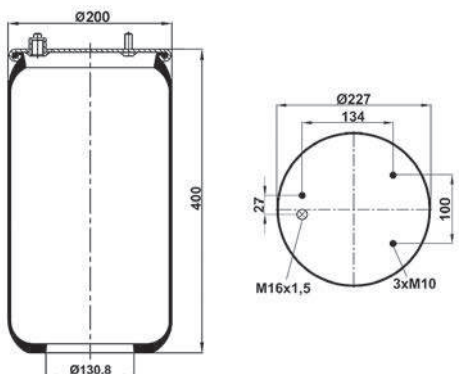
CROSS REFERENCES
OEM REFERENCES

 FIRESTONE
 CONTITECH
 FIRESTONE

 W01-M58-0780
 887 M
 1T15LNR-3

DAF

513983



1600-901 L1

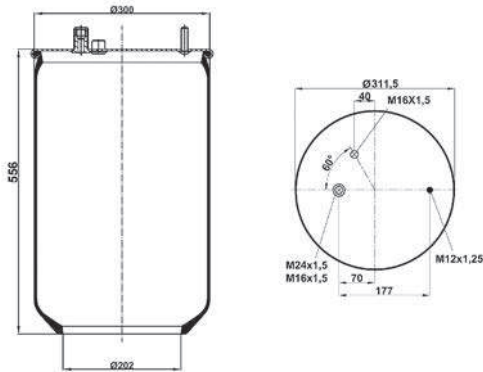
Pallet Size: 115*80*91 Product Weight (Kg): 5,99 Pallet Quantity: 22

CROSS REFERENCES

CONTITECH

901 MB**SA

OEM REFERENCES



1600-902 L

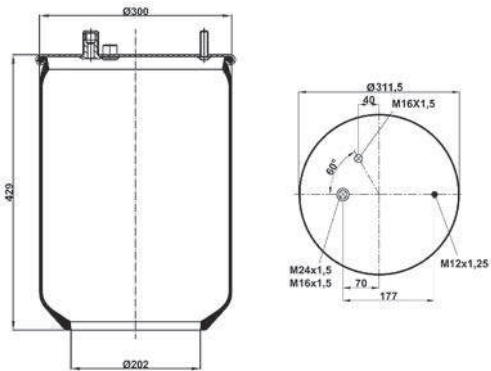
Pallet Size: 115*80*80 Product Weight (Kg): 5,02 Pallet Quantity: 20

CROSS REFERENCES

CONTITECH

902 MB**SA

OEM REFERENCES



1600-909 A

Pallet Size: 115*80*75 Product Weight (Kg): 1,8 Pallet Quantity: 28

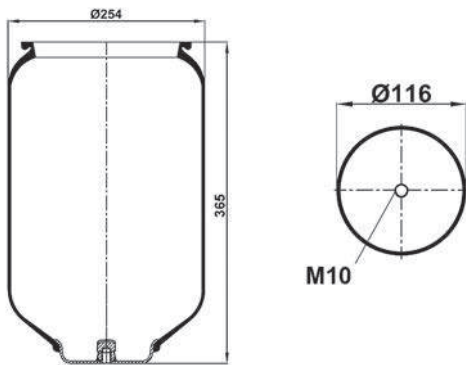
CROSS REFERENCES

CONTITECH
FIRESTONE

909NT
1T15L-6

OEM REFERENCES

NEOPLAN 102100500
NEOPLAN 102121500
MAN 81436010050
MAN 81436010054
MAN 81436010073
MAN 81436016029



1600-909 AL

Pallet Size: 115*80*75 Product Weight (Kg): 2,52 Pallet Quantity: 28

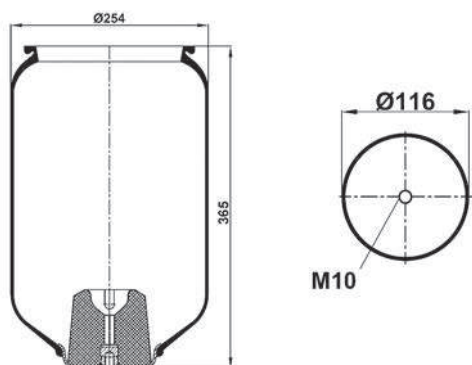
CROSS REFERENCES

FIRESTONE
CONTITECH
FIRESTONE

W01-M58-0687
909NTB
1T15L-6

OEM REFERENCES

MAN 81436016023



1600-912 L

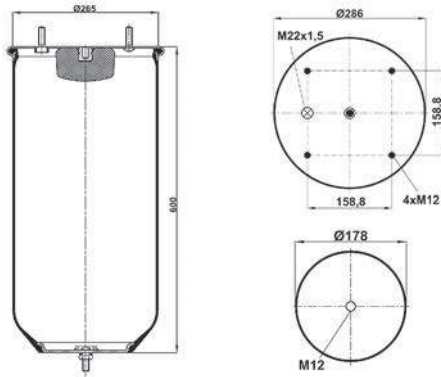
Pallet Size: 115*80*91 Product Weight (Kg): 6,62 Pallet Quantity: 24

CROSS REFERENCES

FIRESTONE

W01-M58-8766**SA

OEM REFERENCES



1600-912 L1

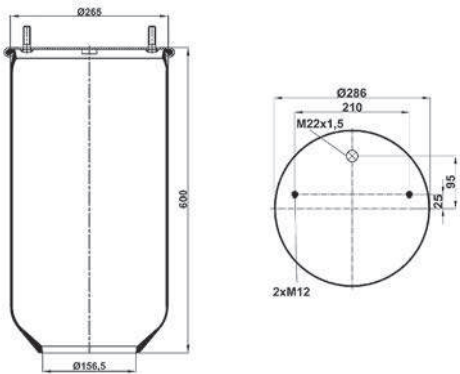
Pallet Size: 115*80*91 Product Weight (Kg): 4,94 Pallet Quantity: 24

CROSS REFERENCES

CONTITECH

912 N P01**SA

OEM REFERENCES



1600-912 L2

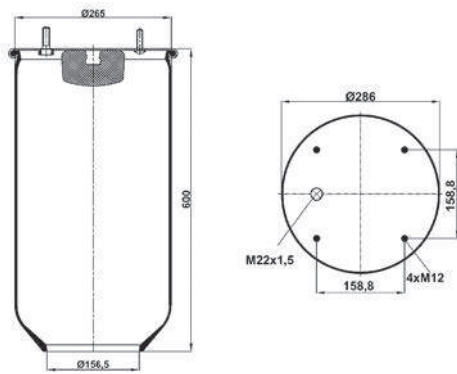
Pallet Size: 115*80*91 Product Weight (Kg): 6,62 Pallet Quantity: 24

CROSS REFERENCES

CONTITECH

912 N P02**SA

OEM REFERENCES



1600-940 L

Pallet Size: 115*80*75 Product Weight (Kg): 4,57 Pallet Quantity: 28

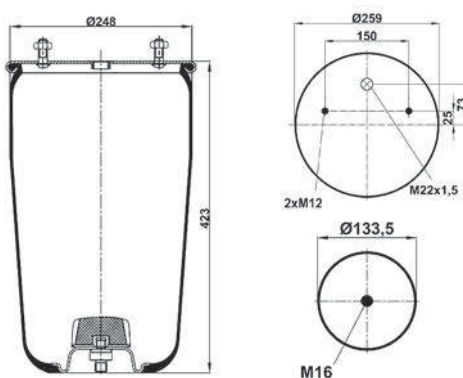
CROSS REFERENCES

FIRESTONE
 CONTITECH
 FIRESTONE
 GOODYEAR

W01-M58-8613
 940 MB
 1T17D-4.3
 1R11-703

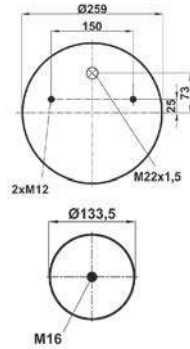
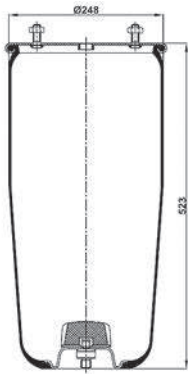
OEM REFERENCES

BPW
 BPW
 BPW
 05.429.40.91.0
 BPW30K
 BPW 05.42940.091



1600-941 L

Pallet Size: 115*80*80 Product Weight (Kg): 5,03 Pallet Quantity: 28


CROSS REFERENCES

 FIRESTONE
 CONTITECH
 FIRESTONE
 GOODYEAR

 W01-M58-8620
 941 MB
 1T17D-8.3
 1R11-700

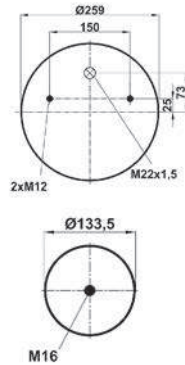
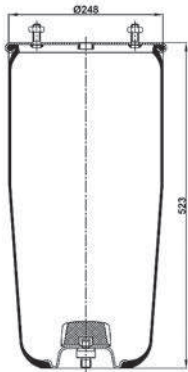
OEM REFERENCES

 BPW
 BPW

 05.429.40.03.0
 BPW30

1600-941 L2

Pallet Size: 115*80*80 Product Weight (Kg): 5,13 Pallet Quantity: 28

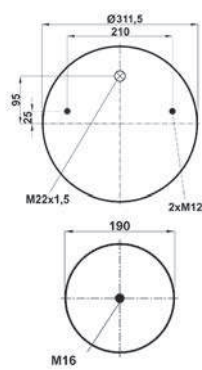
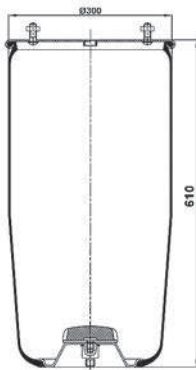

CROSS REFERENCES

GOODYEAR

1R11-702**SA

OEM REFERENCES
1600-942 L

Pallet Size: 115*80*91 Product Weight (Kg): 7,2 Pallet Quantity: 22


CROSS REFERENCES

 FIRESTONE
 CONTITECH
 FIRESTONE
 GOODYEAR

 W01-M58-8611
 942 MB
 1T66D-13.5
 1R14-700

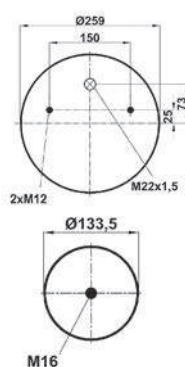
OEM REFERENCES

 BPW
 BPW

 05.429.40.05.0
 BPW36-1

1600-951 L

Pallet Size: 115*80*91 Product Weight (Kg): 5,1 Pallet Quantity: 28


CROSS REFERENCES

 FIRESTONE
 CONTITECH
 FIRESTONE
 GOODYEAR

 W01-M58-8621
 951 MB
 1T17D-11.8
 1R11-704

OEM REFERENCES

 BPW
 BPW

 05.429.40.72.0
 BPW30-1

1600-0195 L

Pallet Size: 115*80*80 Product Weight (Kg): 5,2 Pallet Quantity: 24

CROSS REFERENCES

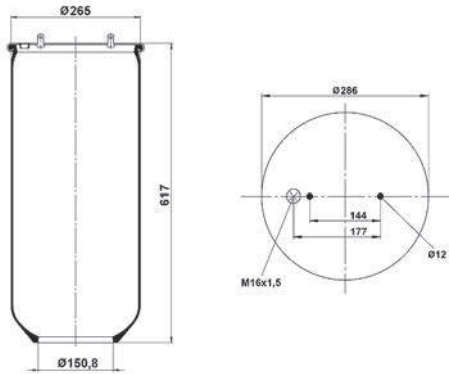
CONTITECH

0195 N P01**SA

OEM REFERENCES

SCANIA

1510195



1600-0283 L1

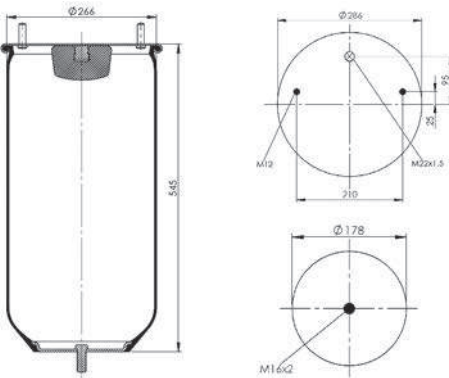
Pallet Size: 115*80*80 Product Weight (Kg): 6,36 Pallet Quantity: 24

CROSS REFERENCES

VIBRACOUSTIC

V1 DK 28 F

OEM REFERENCES



1600-1209 L

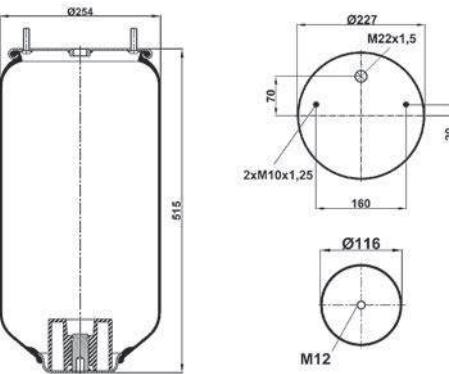
Pallet Size: 115*80*80 Product Weight (Kg): 4,46 Pallet Quantity: 28

CROSS REFERENCES

FIRESTONE

W01-M58-6289**SA

OEM REFERENCES



1600-1304 L

Pallet Size: 115*80*91 Product Weight (Kg): 6,041 Pallet Quantity: 24

CROSS REFERENCES

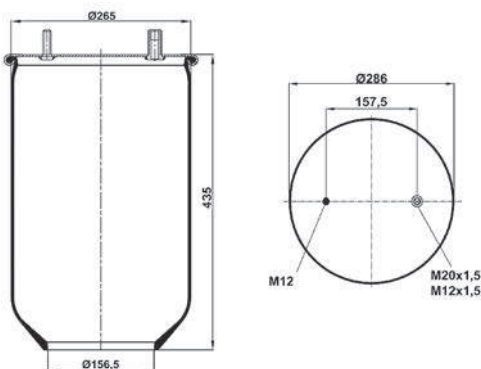
GOODYEAR

1R13-732**SA

OEM REFERENCES

ZORZI
SMB
FRUEHAUF

1006552
M001464
UJB0129-001



1600-1305 L

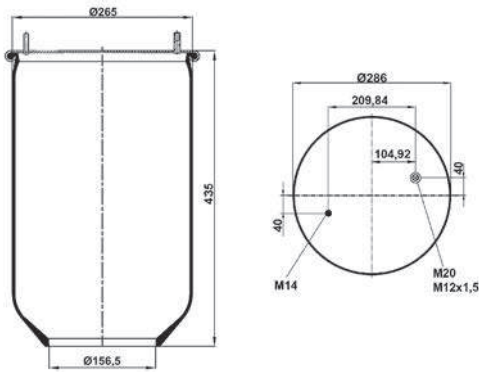
Pallet Size: 115*80*75 Product Weight (Kg): 4,298 Pallet Quantity: 24

CROSS REFERENCES

OEM REFERENCES

KAISER

F01004307**SA



1600-1306 L10

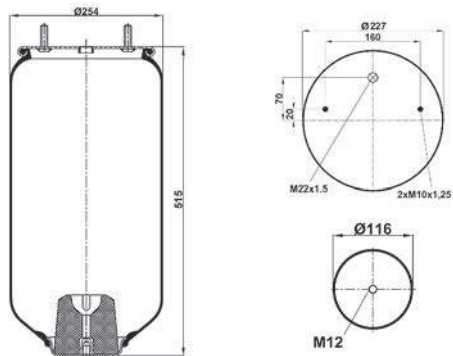
Pallet Size: 115*80*80 Product Weight (Kg): 4,94 Pallet Quantity: 28

CROSS REFERENCES

OEM REFERENCES

CF GOMMA

1T323-40 /96864



1600-1314 L

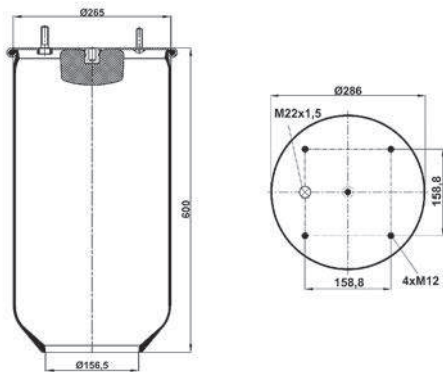
Pallet Size: 115*80*80 Product Weight (Kg): 5,46 Pallet Quantity: 24

CROSS REFERENCES

OEM REFERENCES

FRUEHAUF

M060770**SA



1600-1318 L

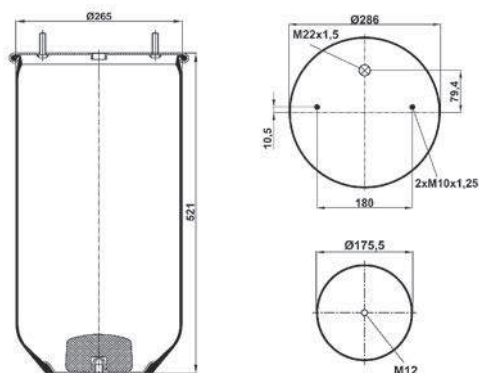
Pallet Size: 115*80*80 Product Weight (Kg): 6,84 Pallet Quantity: 24

CROSS REFERENCES

OEM REFERENCES

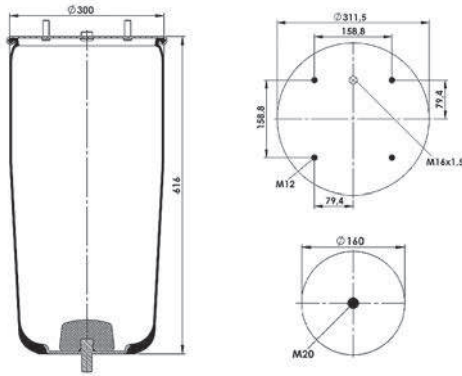
FIRESTONE

W01-M58-6361**SA



1600-1324 L

Pallet Size: 115*80*80 Product Weight (Kg): 7,66 Pallet Quantity: 22



CROSS REFERENCES

FIRESTONE
VIBRACOUSTIC
GOODYEAR

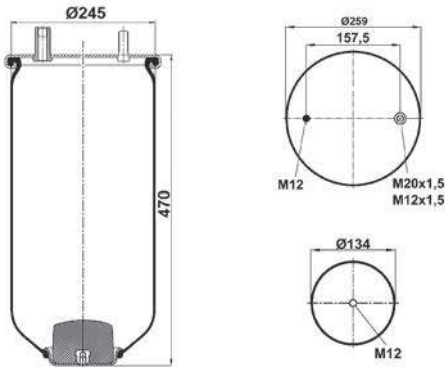
W01-M58-8988
V1 DK 32 E-4
1R14-809

OEM REFERENCES

KASSBOHRER 4731043000

1600-1709 L

Pallet Size: 115*80*75 Product Weight (Kg): Pallet Quantity: 28



CROSS REFERENCES

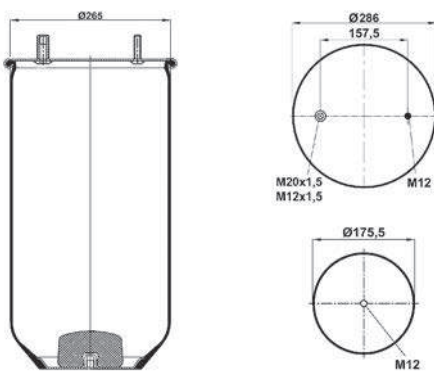
GOODYEAR

1R13-709

OEM REFERENCES

1600-1840 L

Pallet Size: 115*80*91 Product Weight (Kg): Pallet Quantity: 24



CROSS REFERENCES

FIRESTONE
FIRESTONE

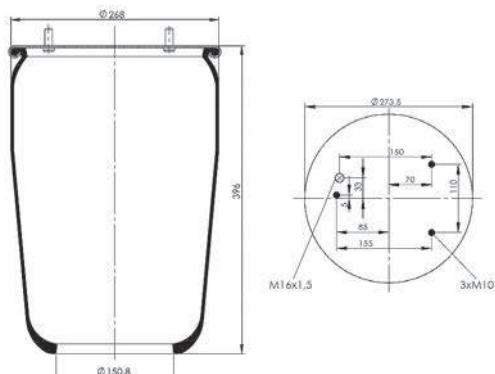
W01-M58-8762**SA
1T19L-14

OEM REFERENCES

ZORZI 1006552
SMB M001464
FRUEHAUF UJB0129-00

1600-1850 L

Pallet Size: 115*80*75 Product Weight (Kg): 4,1 Pallet Quantity: 28



CROSS REFERENCES

CONTITECH

1850 N P01**SA

OEM REFERENCES

1600-1857 L

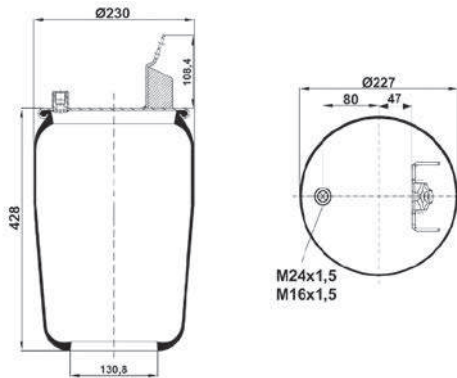
Pallet Size: 115*80*80 Product Weight (Kg): 3,64 Pallet Quantity: 30

CROSS REFERENCES

GOODYEAR 1R11-857**SA

OEM REFERENCES

VOLVO 20909150**SA
VOLVO 21321521**SA



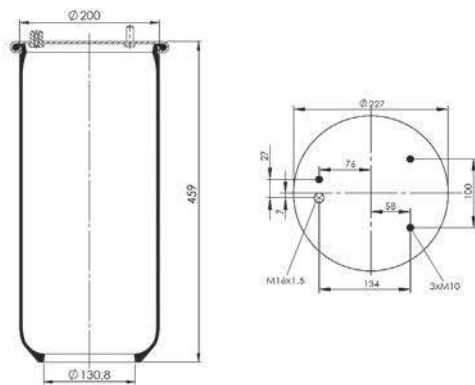
1600-1889 L

Pallet Size: 115*80*80 Product Weight (Kg): 3,168 Pallet Quantity: 30

CROSS REFERENCES

CONTITECH 1889 N P02**SA

OEM REFERENCES



1600-2473 L

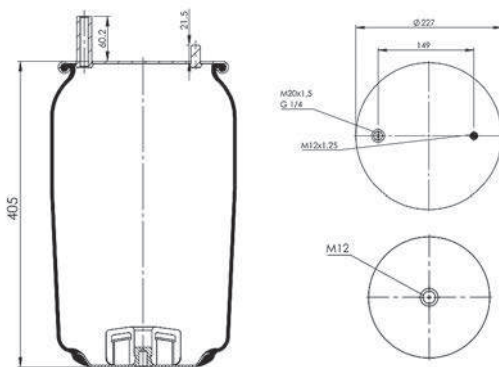
Pallet Size: 115*80*75 Product Weight (Kg): Pallet Quantity: 28

CROSS REFERENCES

GOODYEAR 1R12-473**SA

OEM REFERENCES

MITSUBISHI MK 316885

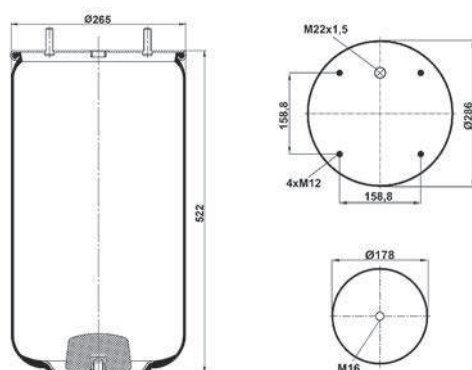


1600-2616 L

Pallet Size: 115*80*91 Product Weight (Kg): 6,475 Pallet Quantity: 28

CROSS REFERENCES

OEM REFERENCES



1600-2618 L

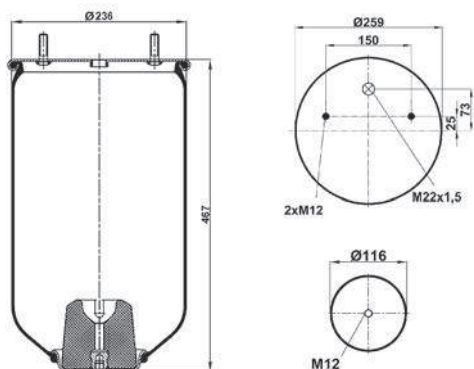
Pallet Size: 115*80*80 Product Weight (Kg): 5,2 Pallet Quantity: 24

CROSS REFERENCES

FIRESTONE

1T17BS-6

OEM REFERENCES

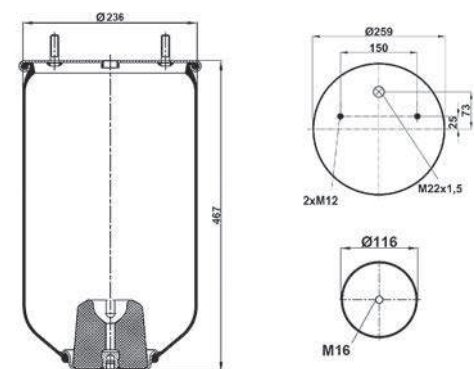


1600-2619 L

Pallet Size: 115*80*75 Product Weight (Kg): 5,35 Pallet Quantity: 28

CROSS REFERENCES

OEM REFERENCES



1600-2621 L

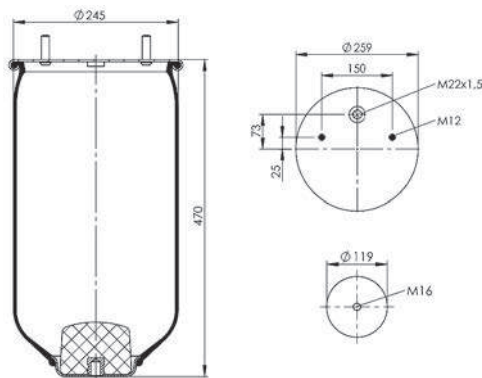
Pallet Size: 115*80*75 Product Weight (Kg): Pallet Quantity: 28

CROSS REFERENCES

OEM REFERENCES

SAF

3.229.0038.00**SA



1600-2626 L

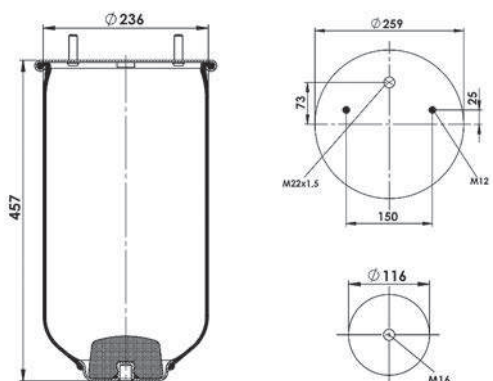
Pallet Size: 115*80*80 Product Weight (Kg): 6,05 Pallet Quantity: 24

CROSS REFERENCES

OEM REFERENCES

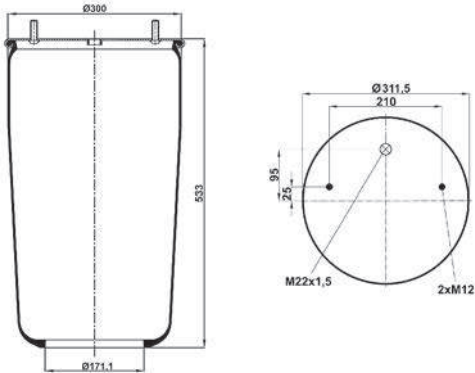
SAF

3.229.0039.00; 2626V

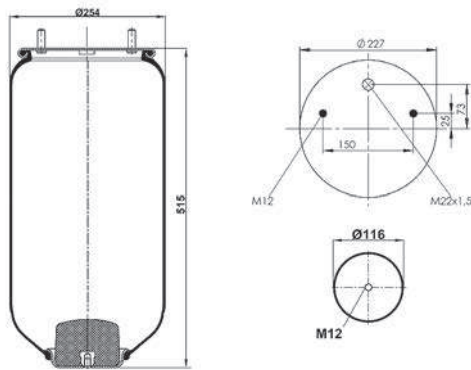


1600-2725 L

Pallet Size: 115*80*75 Product Weight (Kg): 5,13 Pallet Quantity: 22


CROSS REFERENCES
OEM REFERENCES
1600-2807 L

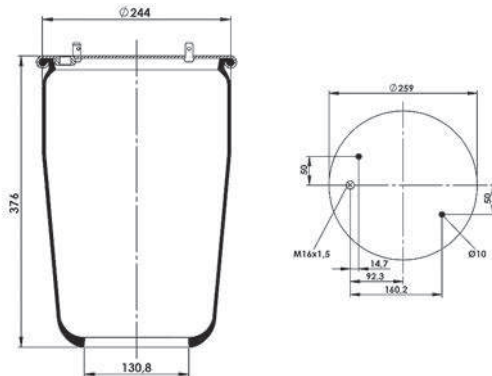
Pallet Size: 115*80*80 Product Weight (Kg): Pallet Quantity: 24


CROSS REFERENCES
OEM REFERENCES

GOODYEAR 1R12-807**SA

1600-2825 L

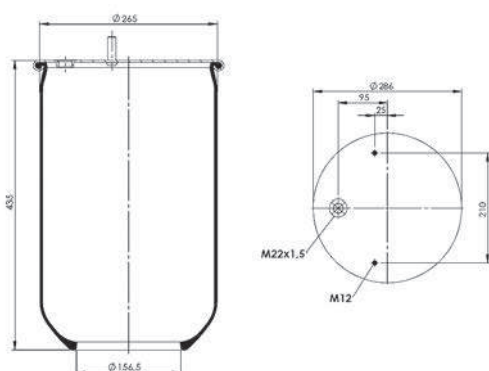
Pallet Size: 115*80*75 Product Weight (Kg): Pallet Quantity: 30


CROSS REFERENCES
OEM REFERENCES

GOODYEAR 1R12-825**SA

1600-2919 L

Pallet Size: 115*80*91 Product Weight (Kg): 4,35 Pallet Quantity: 24


CROSS REFERENCES
OEM REFERENCES

SPECIAL PRODUCT

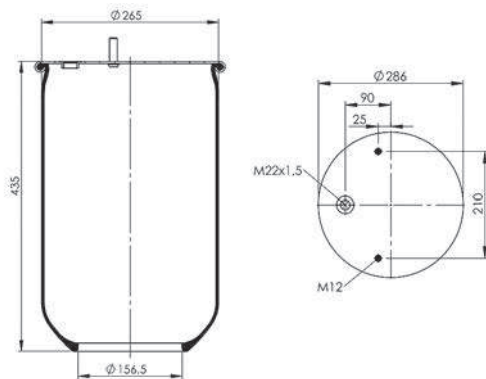
1600-2922 L

Pallet Size: 115*80*75 Product Weight (Kg): Pallet Quantity: 24

CROSS REFERENCES

VIBRACOUSTIC V1D28A-16**SA

OEM REFERENCES



1600-3010 L

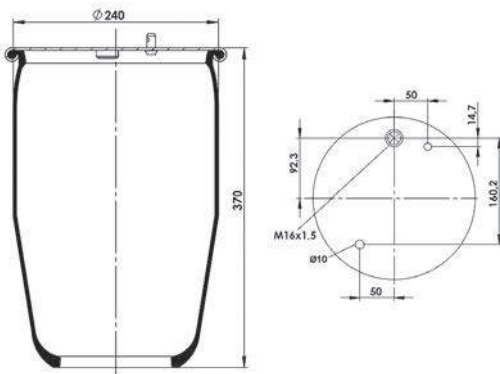
Pallet Size: 115*80*75 Product Weight (Kg): 3,533 Pallet Quantity: 30

CROSS REFERENCES

GOODYEAR 1R12-826

OEM REFERENCES

VOLVO 20703452
VOLVO 21013010
VOLVO 21044268
VOLVO 21057939
VOLVO 21513836



1600-3138 L

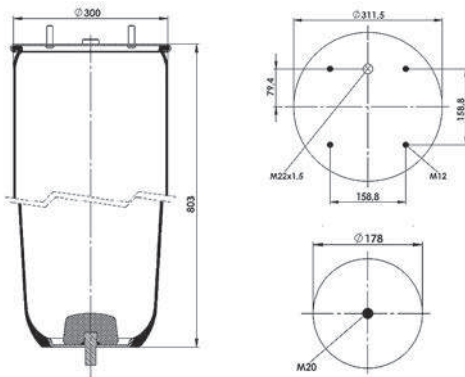
Pallet Size: 115*80*91 Product Weight (Kg): 8,85 Pallet Quantity: 22

CROSS REFERENCES

VIBRACOUSTIC V1DK33-3138
CONTITECH 3138 N P01

OEM REFERENCES

SAF HOLLAND 4.284.3004.00



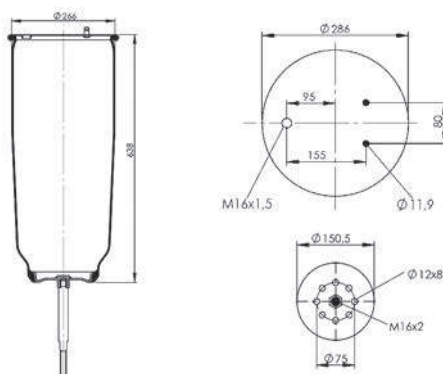
1600-3608 L

Pallet Size: 115*80*80 Product Weight (Kg): 6,85 Pallet Quantity: 24

CROSS REFERENCES

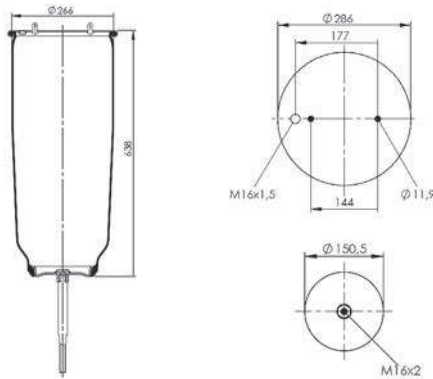
CONTITECH 6700 N P02**SA
CONTITECH 3608 N P01**SA

OEM REFERENCES



1600-3691 L

Pallet Size: 115*80*80 Product Weight (Kg): Pallet Quantity: 24



CROSS REFERENCES

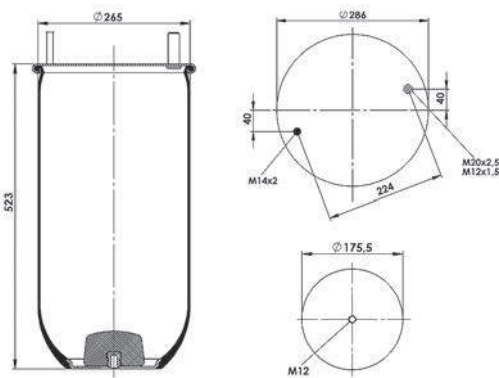
CONTITECH
CONTITECH

6700 N P01**SA
3691 N P01**SA

OEM REFERENCES

1600-3724 L

Pallet Size: 115*80*91 Product Weight (Kg): Pallet Quantity: 28



CROSS REFERENCES

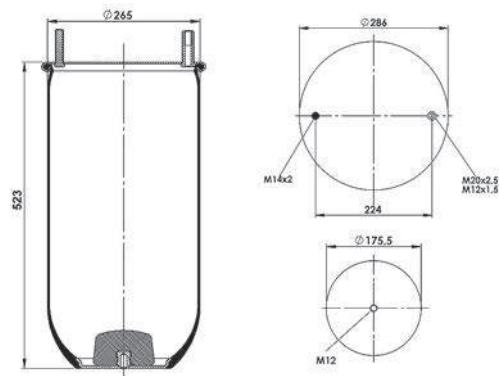
GOODYEAR

1R13-724**SA

OEM REFERENCES

1600-3726 L

Pallet Size: 115*80*91 Product Weight (Kg): Pallet Quantity: 28



CROSS REFERENCES

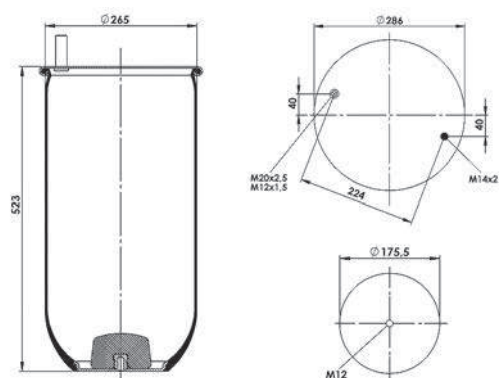
GOODYEAR

1R13-726**SA

OEM REFERENCES

1600-3728 L

Pallet Size: 115*80*80 Product Weight (Kg): Pallet Quantity: 24



CROSS REFERENCES

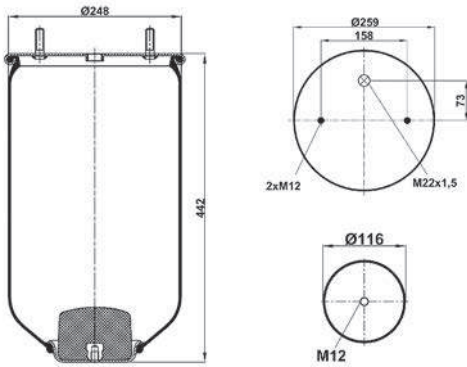
GOODYEAR

1R13-728**SA

OEM REFERENCES

1600-4004 L2

Pallet Size: 115*80*75 Product Weight (Kg): 4,95 Pallet Quantity: 28



CROSS REFERENCES

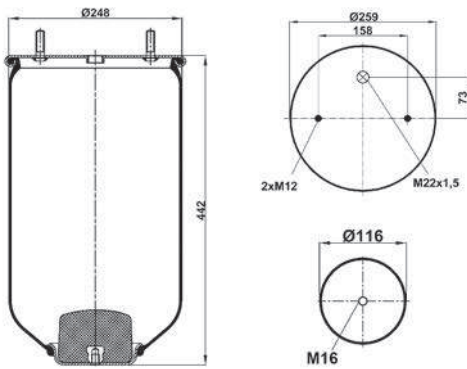
FIRESTONE W01-M58-0919
 FIRESTONE 1T17BS-6
 GOODYEAR 1R11-705

OEM REFERENCES

SAF 3.229.007.02
 SAF 4.284.3003.01

1600-4004 L6

Pallet Size: 115*80*75 Product Weight (Kg): 5,21 Pallet Quantity: 28



CROSS REFERENCES

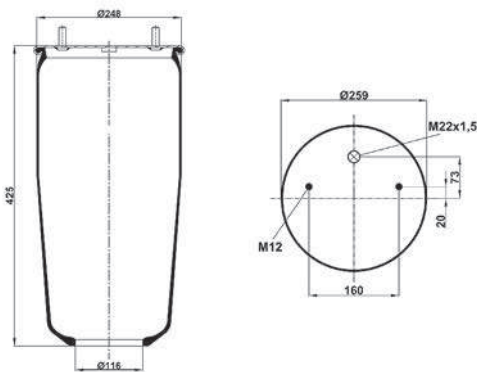
FIRESTONE W01-M58-0919
 CONTITECH 4004 N P02
 FIRESTONE 1T17BS-6
 GOODYEAR 1R11-705

OEM REFERENCES

SAF 4.284.3003.01

1600-4007 L

Pallet Size: 115*80*75 Product Weight (Kg): 5,25 Pallet Quantity: 28



CROSS REFERENCES

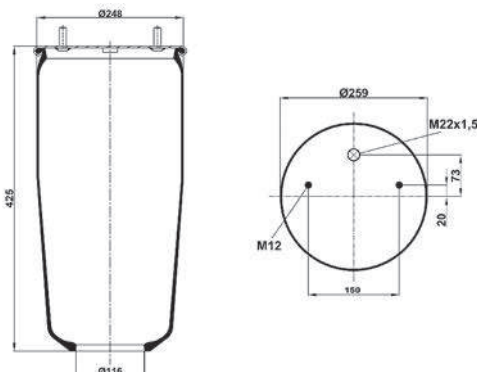
CONTITECH 4007 N P01

OEM REFERENCES

GIGANT 3042
 GIGANT 166271
 GIGANT 247104

1600-4007 L2

Pallet Size: 115*80*75 Product Weight (Kg): 5,25 Pallet Quantity: 28



CROSS REFERENCES

OEM REFERENCES

GIGANT 3042**SA

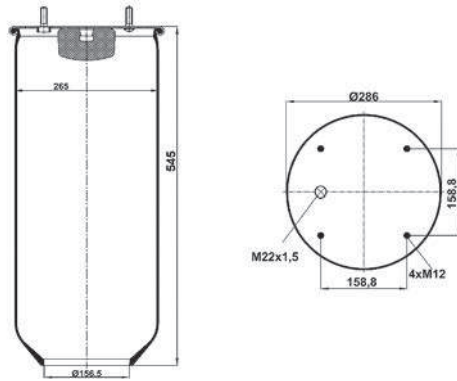
1600-4008 L1

Pallet Size: 115*80*80 Product Weight (Kg): 5,56 Pallet Quantity: 24

CROSS REFERENCES

CONTITECH 4008 N P01**SA

OEM REFERENCES



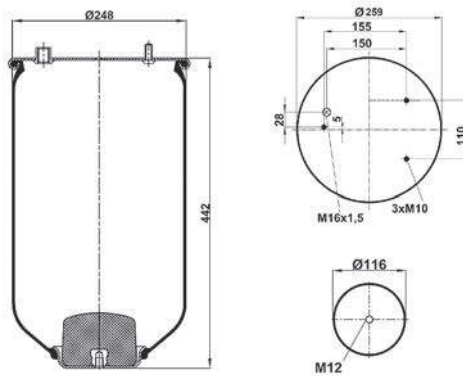
1600-4022 L1

Pallet Size: 115*80*75 Product Weight (Kg): 5,45 Pallet Quantity: 28

CROSS REFERENCES

FIRESTONE 1T17BS-6

OEM REFERENCES



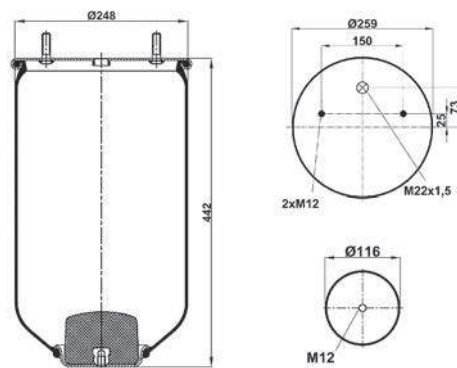
1600-4022 L2

Pallet Size: 115*80*75 Product Weight (Kg): 5,16 Pallet Quantity: 28

CROSS REFERENCES

CONTITECH 4022 N P02**SA

OEM REFERENCES



1600-4022 L6

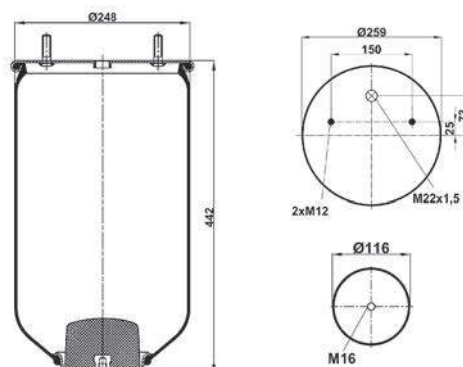
Pallet Size: 115*80*75 Product Weight (Kg): 5,34 Pallet Quantity: 28

CROSS REFERENCES

FIRESTONE W01-M58-0756
CONTITECH 4022 N P02
FIRESTONE 1T17BS-6
GOODYEAR 1R11-709

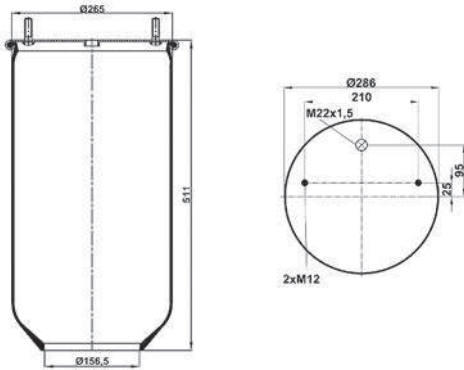
OEM REFERENCES

SAF HOLLAND 4.284.3006.00



1600-4023 L3

Pallet Size: 115*80*75 Product Weight (Kg): 4,83 Pallet Quantity: 24



CROSS REFERENCES

CONTITECH
CONTITECH
CONTITECH

4023 N P06
4023 N P03**SA
4023 N P02

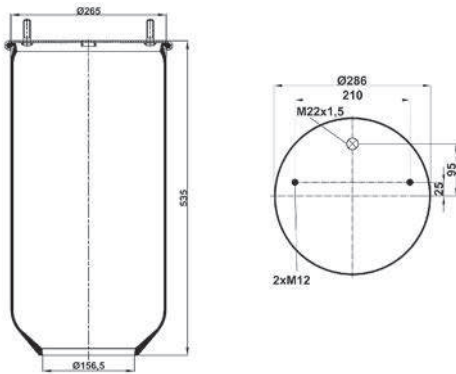
OEM REFERENCES

SAF

3.229.031.00

1600-4028 L

Pallet Size: 115*80*80 Product Weight (Kg): 4,77 Pallet Quantity: 24



CROSS REFERENCES

CONTITECH

4028 N P02**SA

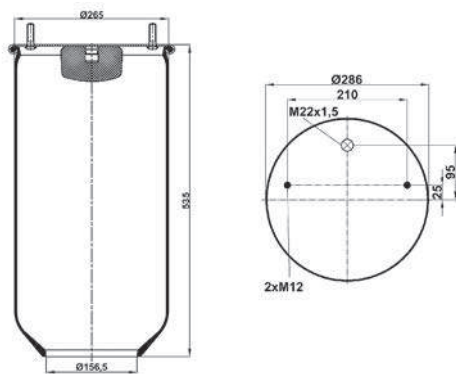
OEM REFERENCES

WEWELER

US04028

1600-4028 L2

Pallet Size: 115*80*80 Product Weight (Kg): 5,468 Pallet Quantity: 24



CROSS REFERENCES

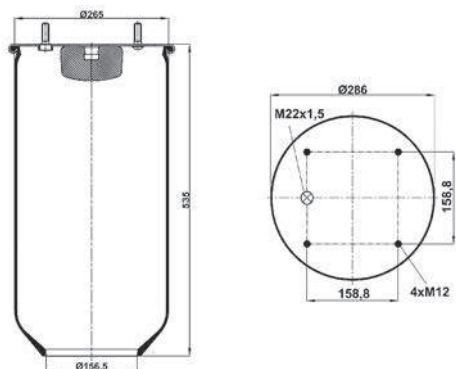
FIRESTONE

1T19L-12

OEM REFERENCES

1600-4028 L5

Pallet Size: 115*80*80 Product Weight (Kg): 5,51 Pallet Quantity: 24



CROSS REFERENCES

CONTITECH

4028 N P05**SA

OEM REFERENCES

1600-4150 AL

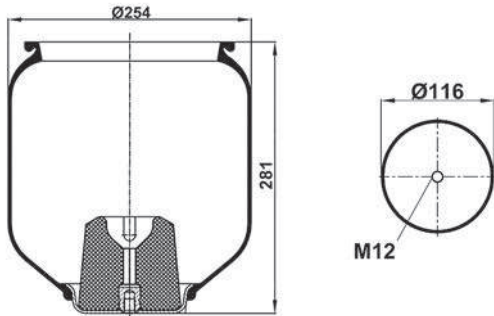
Pallet Size: 115*80*75 Product Weight (Kg): 4,8 Pallet Quantity: 28

CROSS REFERENCES

CONTITECH

OEM REFERENCES

4150 N P01



1600-4154 L

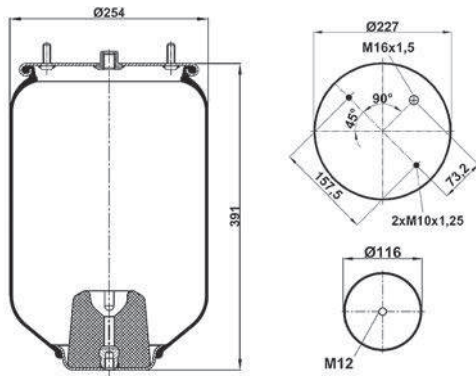
Pallet Size: 115*80*75 Product Weight (Kg): 4,41 Pallet Quantity: 28

CROSS REFERENCES

FIRESTONE

OEM REFERENCES

1T15M-4



1600-4154 L1

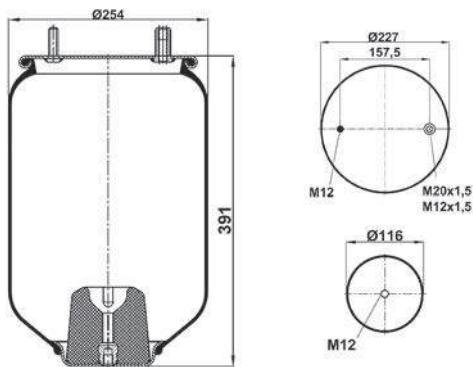
Pallet Size: 115*80*75 Product Weight (Kg): 4,62 Pallet Quantity: 28

CROSS REFERENCES

FIRESTONE

OEM REFERENCES

1T15M-4



1600-4154 L6

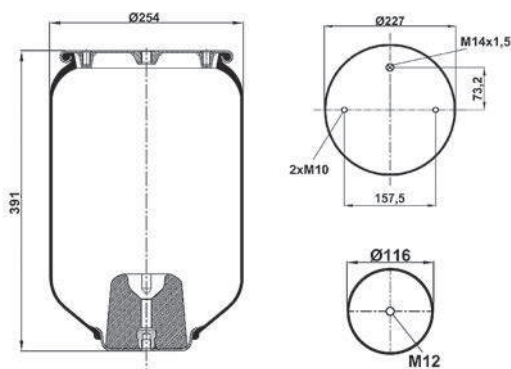
Pallet Size: 115*80*75 Product Weight (Kg): 4,509 Pallet Quantity: 28

CROSS REFERENCES

FIRESTONE
FIRESTONE

OEM REFERENCES

W01-M58-7283**SA
1T15M-4



1600-4156 L2

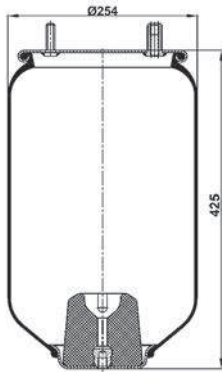
Pallet Size: 115*80*75 Product Weight (Kg): 4,7 Pallet Quantity: 28

CROSS REFERENCES

CONTITECH

4156 N P07**SA

OEM REFERENCES



1600-4156 L3

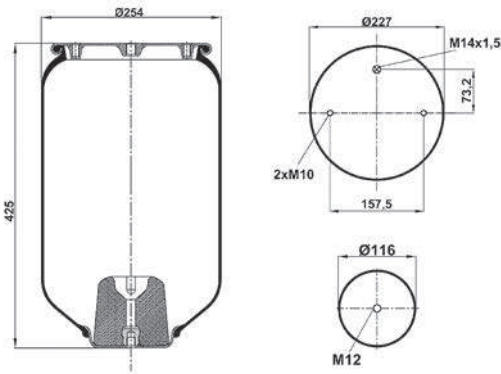
Pallet Size: 115*80*75 Product Weight (Kg): 4,77 Pallet Quantity: 28

CROSS REFERENCES

FIRESTONE
FIRESTONE

W01-358-0734
1T15M-6

OEM REFERENCES



1600-4156 L5

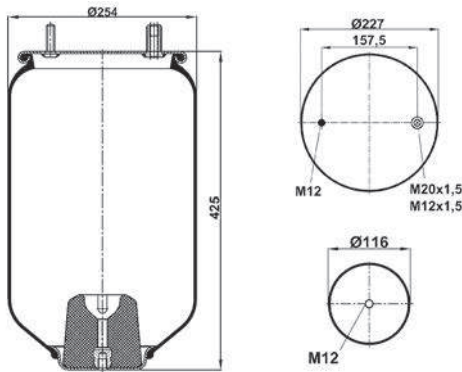
Pallet Size: 115*80*65 Product Weight (Kg): 4,27 Pallet Quantity: 28

CROSS REFERENCES

CONTITECH

4156 NP05

OEM REFERENCES



1600-4156 L6

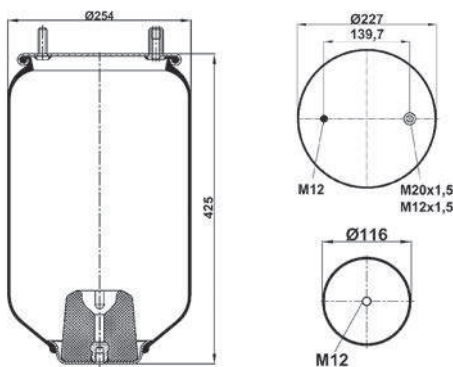
Pallet Size: 115*80*75 Product Weight (Kg): 4,85 Pallet Quantity: 28

CROSS REFERENCES

FIRESTONE

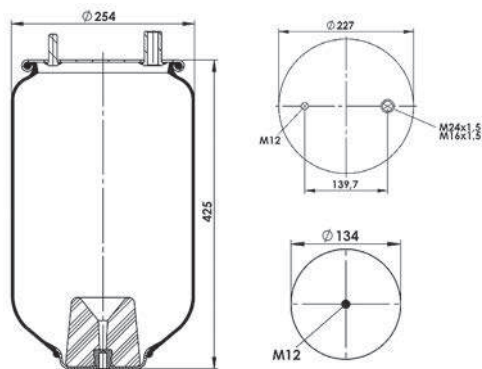
1T15M-6

OEM REFERENCES



1600-4156 L7

Pallet Size: 115*80*75 Product Weight (Kg): 4,45 Pallet Quantity: 28



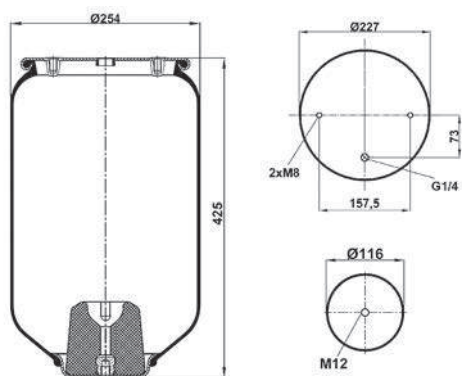
CROSS REFERENCES

OEM REFERENCES

SPECIAL PRODUCT

1600-4156 L16

Pallet Size: 115*80*80 Product Weight (Kg): 4,79 Pallet Quantity: 28



CROSS REFERENCES

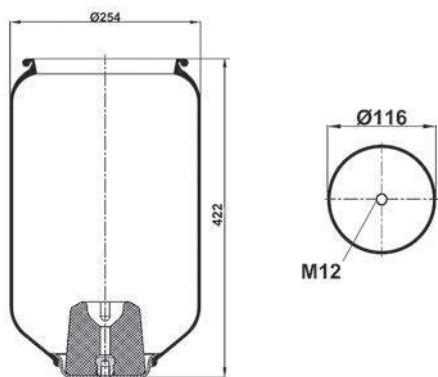
OEM REFERENCES

CONTITECH

4156 N P16

1600-4156 AL

Pallet Size: 115*80*75 Product Weight (Kg): 2,5 Pallet Quantity: 28



CROSS REFERENCES

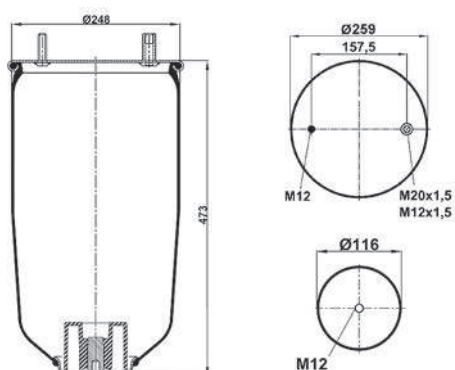
OEM REFERENCES

CONTITECH

4156 N P12

1600-4157 L2

Pallet Size: 115*80*80 Product Weight (Kg): 4,75 Pallet Quantity: 28



CROSS REFERENCES

OEM REFERENCES

FIRESTONE
CONTITECH

W01-M58-6315**SA
4157 N P10**SA

SMB
FRUEHAUF
ACERBI

M060924
UJB0975
441901

1600-4157 L4

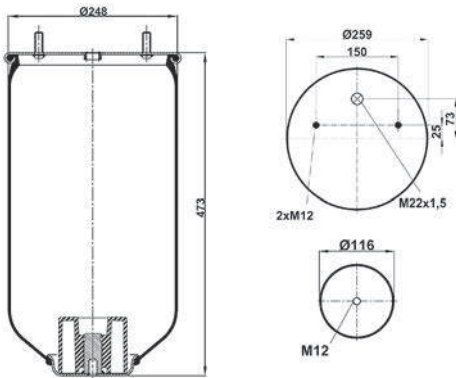
Pallet Size: 115*80*80 Product Weight (Kg): 4,9 Pallet Quantity: 28

CROSS REFERENCES

CONTITECH

4157 N P04**SA

OEM REFERENCES



1600-4157 L5

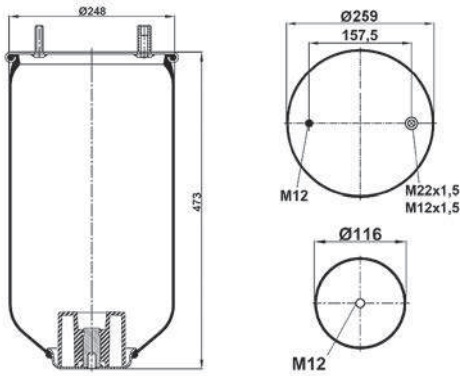
Pallet Size: 115*80*80 Product Weight (Kg): 4,98 Pallet Quantity: 28

CROSS REFERENCES

CONTITECH
CONTITECH

4157 N P05**SA
4157 N P02

OEM REFERENCES



1600-4157 L6

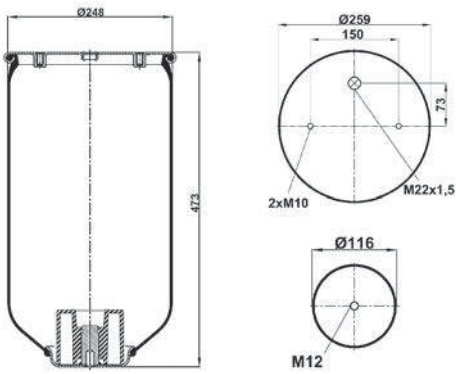
Pallet Size: 115*80*75 Product Weight (Kg): 4,84 Pallet Quantity: 28

CROSS REFERENCES

FIRESTONE
CONTITECH

W01-M58-8194
4157 N P06**SA

OEM REFERENCES



1600-4158 L2

Pallet Size: 115*80*80 Product Weight (Kg): 5,16 Pallet Quantity: 28

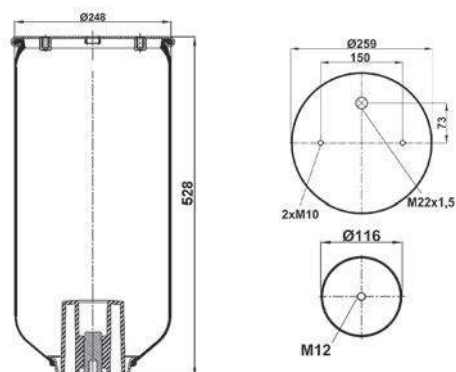
CROSS REFERENCES

FIRESTONE
CONTITECH
FIRESTONE

W01-M58-6257
4158 N P02
1T15MPW-9

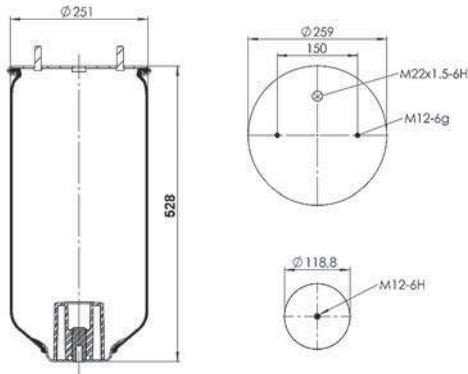
OEM REFERENCES

WEWELER
SCHMITZ-ANHANGER
US06285
750999



1600-4158 L10

Pallet Size: 115*80*80 Product Weight (Kg): 4,983 Pallet Quantity: 28



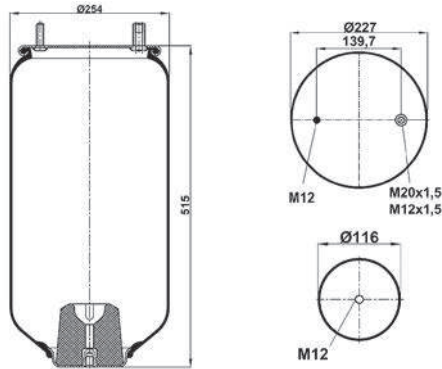
CROSS REFERENCES

OEM REFERENCES

SPECIAL PRODUCT

1600-4159 L3

Pallet Size: 115*80*80 Product Weight (Kg): 4,51 Pallet Quantity: 28



CROSS REFERENCES

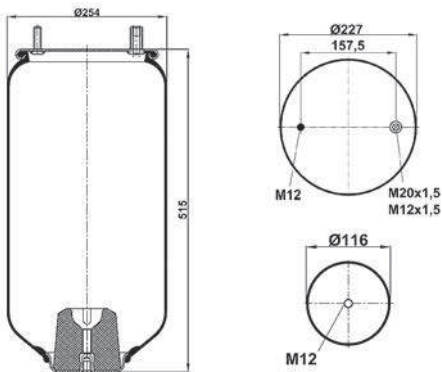
OEM REFERENCES

NEWAY

M00557007

1600-4159 L5

Pallet Size: 115*80*75 Product Weight (Kg): 4,85 Pallet Quantity: 28



CROSS REFERENCES

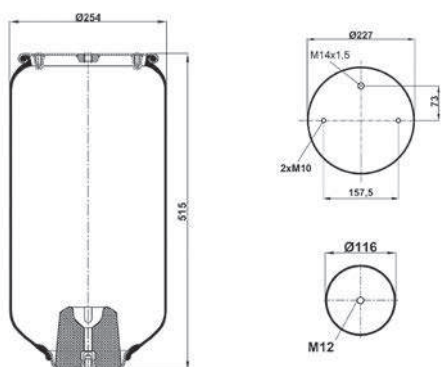
OEM REFERENCES

FIRESTONE
CONTITECH
FIRESTONE
GOODYEAR

W01-M58-0736
4159 N P05
1T15M-9
1R12-761

1600-4159 L12

Pallet Size: 115*80*80 Product Weight (Kg): 4,49 Pallet Quantity: 28



CROSS REFERENCES

OEM REFERENCES

FIRESTONE

W01-M58-71600-8**SA

1600-4183 L

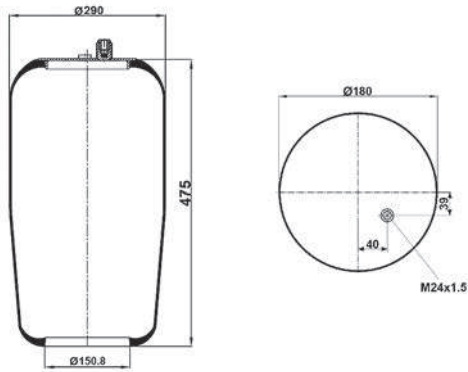
Pallet Size: 115*80*65 Product Weight (Kg): 3,33 Pallet Quantity: 24

CROSS REFERENCES

CONTITECH
CONTITECH

4183 N3
4183 N2

OEM REFERENCES



1600-4183 L2

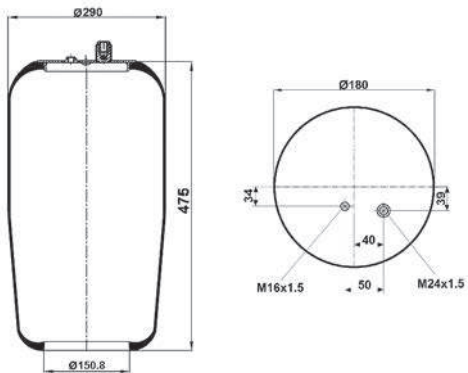
Pallet Size: 115*80*75 Product Weight (Kg): 3,62 Pallet Quantity: 24

CROSS REFERENCES

CONTITECH
CONTITECH

4183 N4
4183 N1

OEM REFERENCES



1600-4183 L23

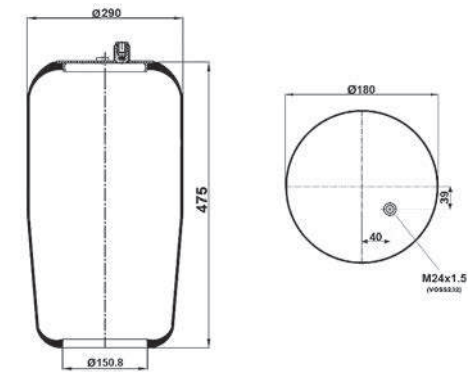
Pallet Size: 115*80*75 Product Weight (Kg): 3,47 Pallet Quantity: 24

CROSS REFERENCES

CONTITECH

4183 NP23**SA

OEM REFERENCES



1600-4183 L24

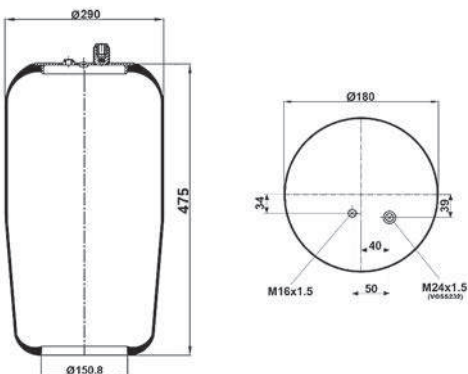
Pallet Size: 115*80*75 Product Weight (Kg): 3,32 Pallet Quantity: 24

CROSS REFERENCES

CONTITECH

4183 NP24**SA

OEM REFERENCES



1600-4185 L

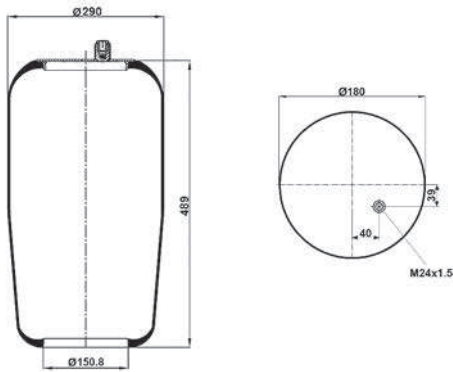
Pallet Size: 115*80*75 Product Weight (Kg): 3,33 Pallet Quantity: 24

CROSS REFERENCES

CONTITECH 4185 N

OEM REFERENCES

MERCEDES-BENZ A9743280201



1600-4186 L1

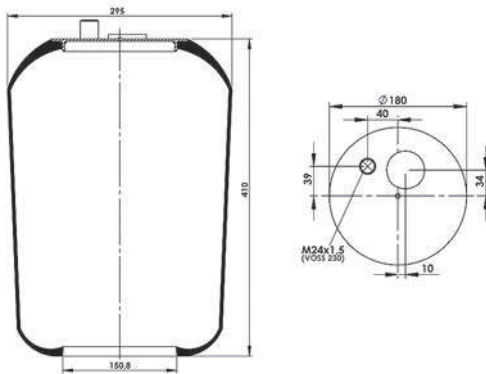
Pallet Size: 115*80*75 Product Weight (Kg): 3,325 Pallet Quantity: 22

CROSS REFERENCES

CONTITECH 4186 N P01 (Voss230)

OEM REFERENCES

DAIMLER CHRYSLER A 942 320 16 21



1600-4186 L2

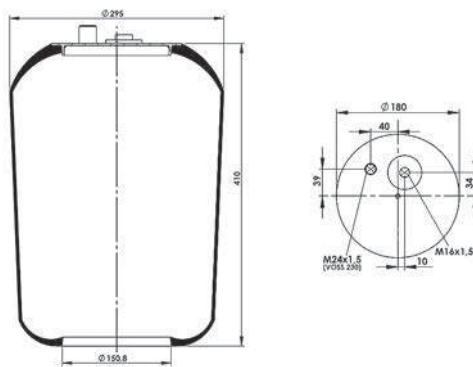
Pallet Size: 115*80*75 Product Weight (Kg): 3,356 Pallet Quantity: 22

CROSS REFERENCES

CONTITECH 4186 N P02 (Voss230)

OEM REFERENCES

DAIMLER CHRYSLER A 942 320 17 21



1600-4186 L3

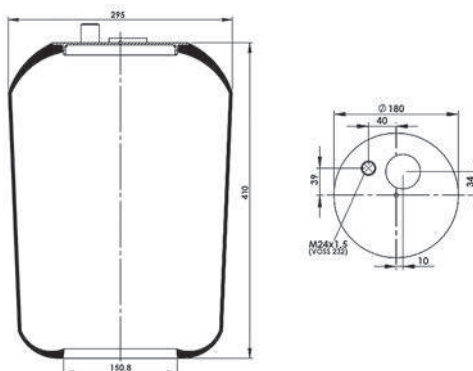
Pallet Size: 115*80*75 Product Weight (Kg): 3,325 Pallet Quantity: 22

CROSS REFERENCES

CONTITECH 4186 N P23**SA (Voss232)
CONTITECH 4186 N P21**SA (Voss232)

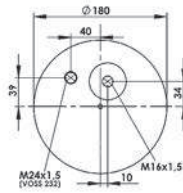
OEM REFERENCES

DAIMLER CHRYSLER A 942 320 24 21
DAIMLER CHRYSLER A 942 320 70 21



1600-4186 L4

Pallet Size: 115*80*75 Product Weight (Kg): 3,41 Pallet Quantity: 22



CROSS REFERENCES

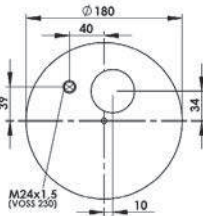
CONTITECH 4186 N P24 (Voss232)
CONTITECH 4186 N P22 (Voss232)

OEM REFERENCES

DAIMLER CHRYSLER A 942 320 25 21
DAIMLER CHRYSLER A 942 320 71 21

1600-4187 L

Pallet Size: 115*80*75 Product Weight (Kg): 3,64 Pallet Quantity: 24



CROSS REFERENCES

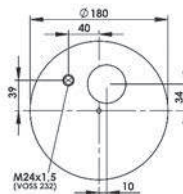
CONTITECH 4187 N P01 (Voss230)

OEM REFERENCES

DAIMLER CHRYSLER A 942 320 18 21

1600-4187 L1

Pallet Size: 115*80*75 Product Weight (Kg): 3,59 Pallet Quantity: 24



CROSS REFERENCES

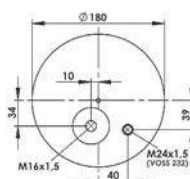
CONTITECH 4187 N P23 (Voss232)
CONTITECH 4187 N P21 (Voss232)

OEM REFERENCES

DAIMLER CHRYSLER A 942 320 26 21
DAIMLER CHRYSLER A 942 320 72 21

1600-4187 L2

Pallet Size: 115*80*75 Product Weight (Kg): Pallet Quantity: 24



CROSS REFERENCES

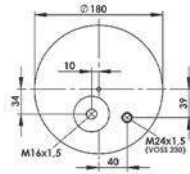
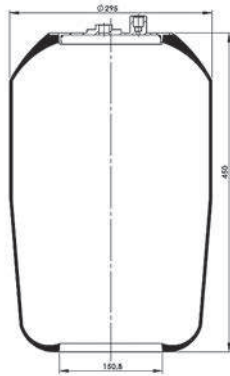
CONTITECH 4187 N P24 (Voss232)
CONTITECH 4187 N P22 (Voss232)

OEM REFERENCES

DAIMLER CHRYSLER A 942 320 27 21
DAIMLER CHRYSLER A 942 320 73 21

1600-4187 L3

Pallet Size: 115*80*75 Product Weight (Kg): Pallet Quantity: 24



CROSS REFERENCES

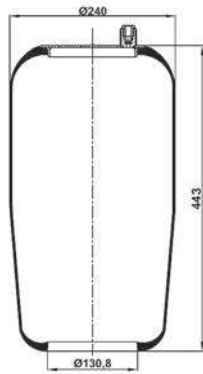
CONTITECH 4187 N P02**SA (Voss230)

OEM REFERENCES

DAIMLER CHRYSLER A 942 320 19 21

1600-4390 L1

Pallet Size: 115*80*75 Product Weight (Kg): 2,666 Pallet Quantity: 30



CROSS REFERENCES

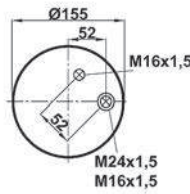
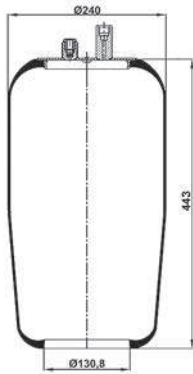
CONTITECH 4390 N1
GOODYEAR 9507

OEM REFERENCES

MERCEDES-BENZ A9423280001

1600-4390 L2

Pallet Size: 115*80*75 Product Weight (Kg): 2,816 Pallet Quantity: 30



CROSS REFERENCES

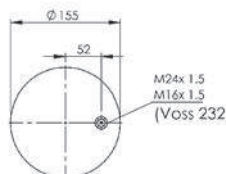
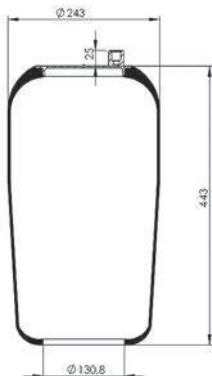
CONTITECH 4390 N2
GOODYEAR 9508

OEM REFERENCES

MERCEDES-BENZ A9423280101
MERCEDES-BENZ 942 328 05 01

1600-4390 L10

Pallet Size: 115*80*75 Product Weight (Kg): 2,605 Pallet Quantity: 30



CROSS REFERENCES

FIRESTONE W01-M58-8514**SA
CONTITECH 4390 N P21 (Voss232)**SA

OEM REFERENCES

MERCEDES-BENZ A9423202821**SA
MERCEDES-BENZ A9423204921**SA

1600-4390 L20

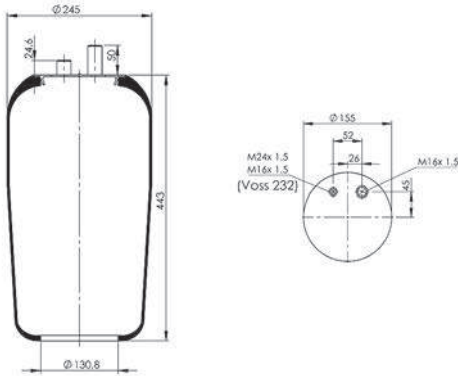
Pallet Size: 115*80*75 Product Weight (Kg): 2,78 Pallet Quantity: 30

CROSS REFERENCES

CONTITECH 4390 N P22 **SA (Voss232)

OEM REFERENCES

MERCEDES-BENZ A9423202921
MERCEDES-BENZ A9423205021



1600-4391 L1

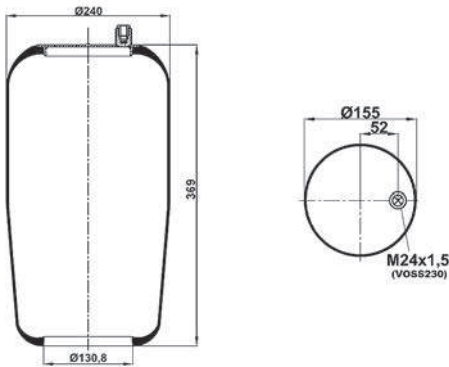
Pallet Size: 115*80*75 Product Weight (Kg): 2,33 Pallet Quantity: 30

CROSS REFERENCES

CONTITECH 4391 N1

OEM REFERENCES

MERCEDES-BENZ A9423280601



1600-4391 L2

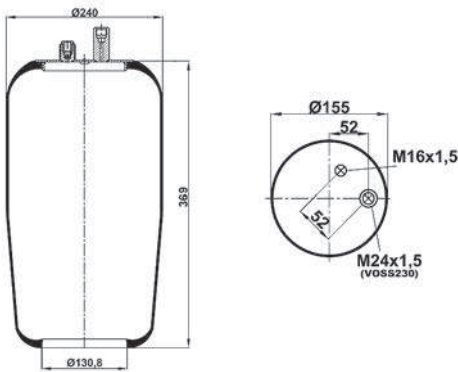
Pallet Size: 115*80*75 Product Weight (Kg): 2,503 Pallet Quantity: 30

CROSS REFERENCES

CONTITECH 4391 N2

OEM REFERENCES

MERCEDES-BENZ A9423280701



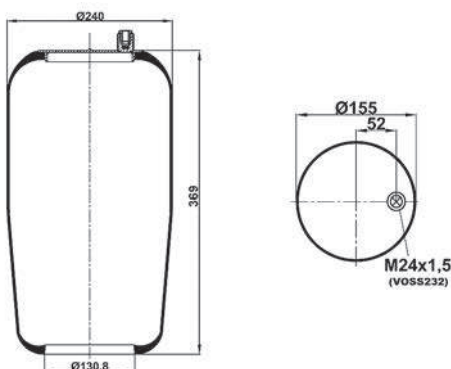
1600-4391 L21

Pallet Size: 115*80*75 Product Weight (Kg): 2,3 Pallet Quantity: 30

CROSS REFERENCES

CONTITECH 4391 N P21**SA

OEM REFERENCES



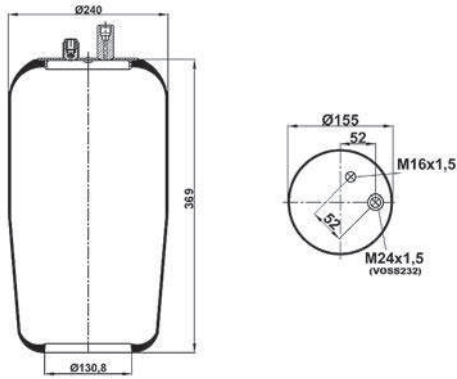
1600-4391 L22

Pallet Size: 115*80*75 Product Weight (Kg): 2,45 Pallet Quantity: 30

CROSS REFERENCES

CONTITECH 4391 N P22**SA

OEM REFERENCES



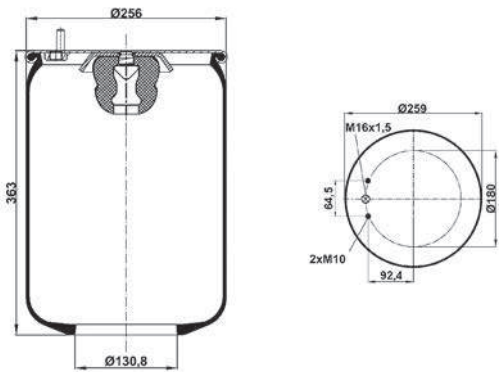
1600-4420 L

Pallet Size: 115*80*75 Product Weight (Kg): 4,55 Pallet Quantity: 28

CROSS REFERENCES

CONTITECH 4420 N P01**SA

OEM REFERENCES



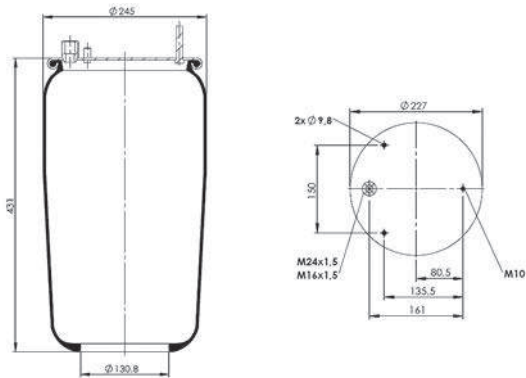
1600-4560 L

Pallet Size: 115*80*80 Product Weight (Kg): Pallet Quantity: 30

CROSS REFERENCES

CONTITECH 4560 N P02**SA

OEM REFERENCES



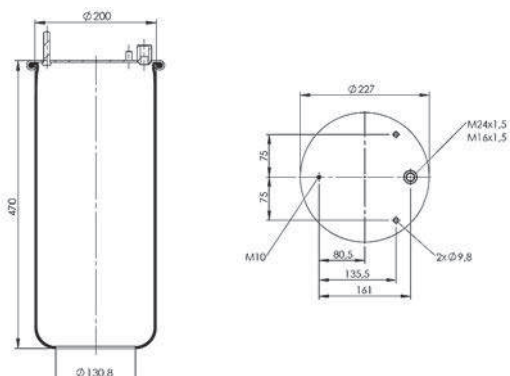
1600-4570 L

Pallet Size: 115*80*80 Product Weight (Kg): Pallet Quantity: 28

CROSS REFERENCES

CONTITECH 4570 N P02**SA

OEM REFERENCES



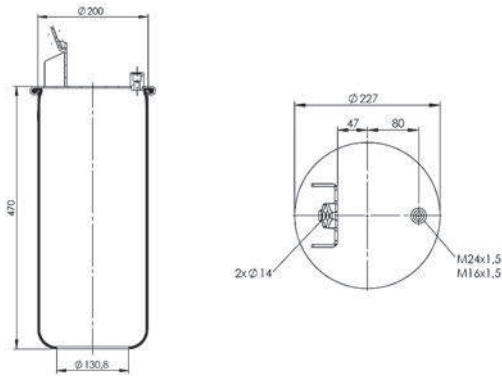
1600-4570 L3

Pallet Size: 115*80*80 Product Weight (Kg): Pallet Quantity: 28

CROSS REFERENCES

CONTITECH 4570 NP03**SA

OEM REFERENCES



1600-4644 L

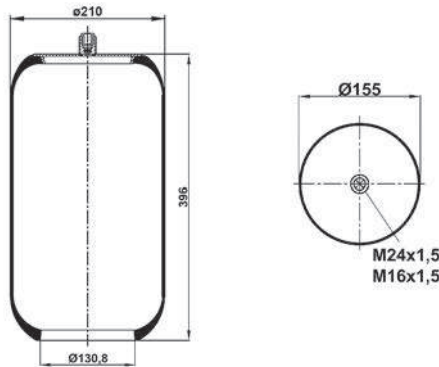
Pallet Size: 115*80*75 Product Weight (Kg): 2,17 Pallet Quantity: 30

CROSS REFERENCES

CONTITECH 4644 N

OEM REFERENCES

EVO-BUS A6293270001



1600-4705 L

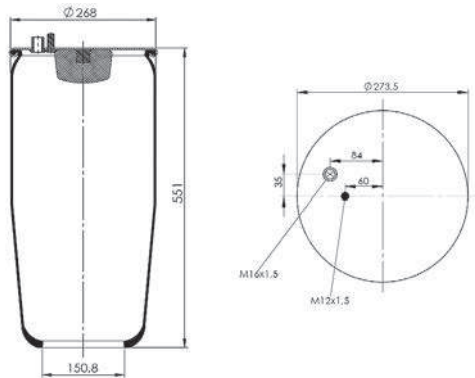
Pallet Size: 115*80*91 Product Weight (Kg): 5,33 Pallet Quantity: 24

CROSS REFERENCES

CONTITECH 4705 N1 P01
GOODYEAR 1R12-831

OEM REFERENCES

MAN 81436010155



1600-4713 L2

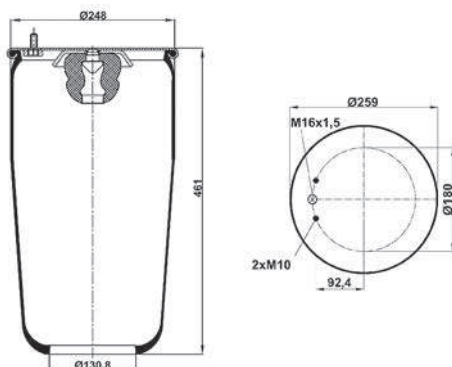
Pallet Size: 115*80*75 Product Weight (Kg): 4,46 Pallet Quantity: 28

CROSS REFERENCES

CONTITECH 4713 N P04
GOODYEAR 1R12-763

OEM REFERENCES

VOLVO 1 076 595



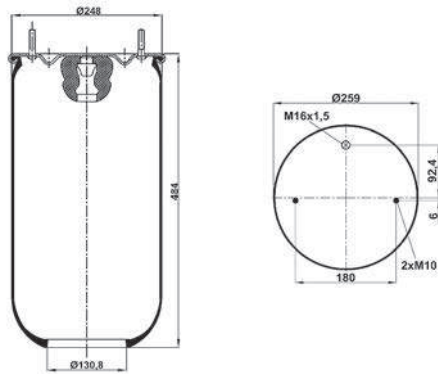
1600-4718 L1

Pallet Size: 115*80*80 Product Weight (Kg): 4,61 Pallet Quantity: 28

CROSS REFERENCES

CONTITECH 4718 N P02

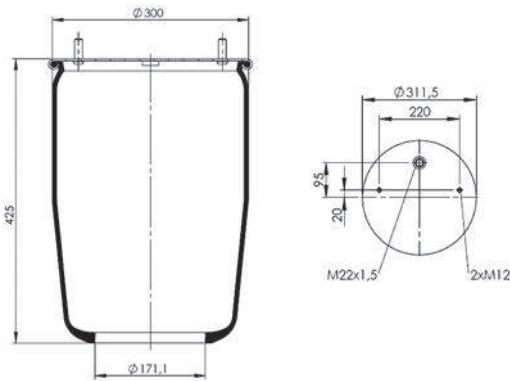
OEM REFERENCES

 VOLVO 1079718
 101075363

1600-4725 L

Pallet Size: 115*80*80 Product Weight (Kg): 4,99 Pallet Quantity: 22

CROSS REFERENCES
OEM REFERENCES

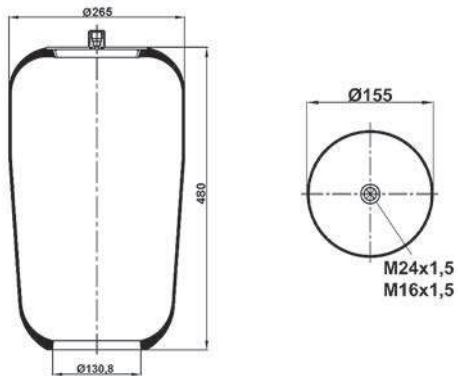
GIGANT 247103


1600-4737 L1

Pallet Size: 115*80*75 Product Weight (Kg): 3,19 Pallet Quantity: 28

CROSS REFERENCES

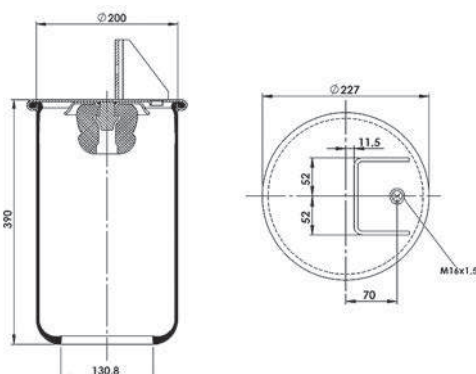
CONTITECH 4737 N

OEM REFERENCES

1600-4753 L

Pallet Size: 115*80*75 Product Weight (Kg): Pallet Quantity: 30

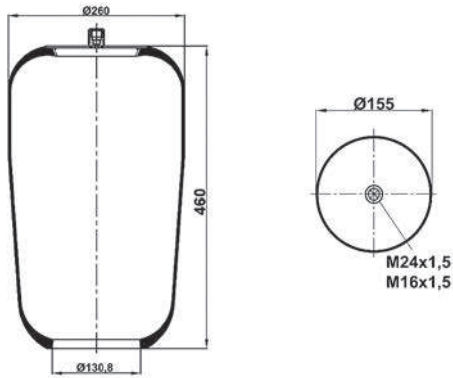
CROSS REFERENCES
OEM REFERENCES

VOLVO 20554753**SA



1600-4757 L1

Pallet Size: 115*80*75 Product Weight (Kg): 2,92 Pallet Quantity: 28



CROSS REFERENCES

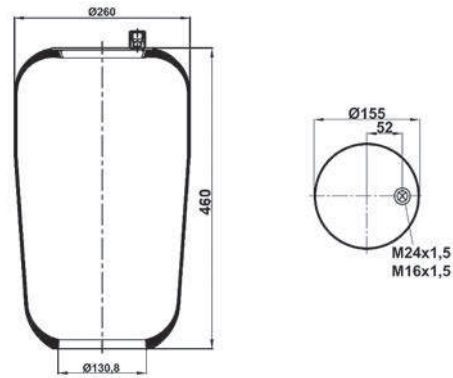
CONTITECH 4757 N1

OEM REFERENCES

MERCEDES-BENZ A9423270001

1600-4757 L2

Pallet Size: 115*80*75 Product Weight (Kg): 2,72 Pallet Quantity: 28



CROSS REFERENCES

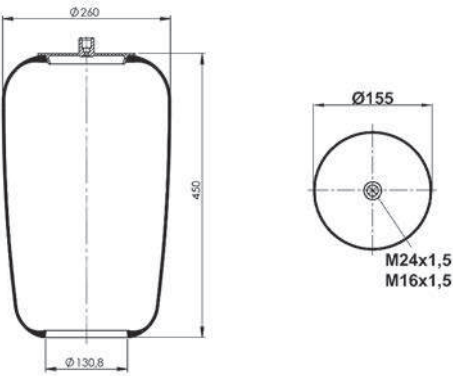
CONTITECH 4757 N2

OEM REFERENCES

MERCEDES-BENZ A9743280001

1600-4758 L

Pallet Size: 115*80*91 Product Weight (Kg): 2,82 Pallet Quantity: 28



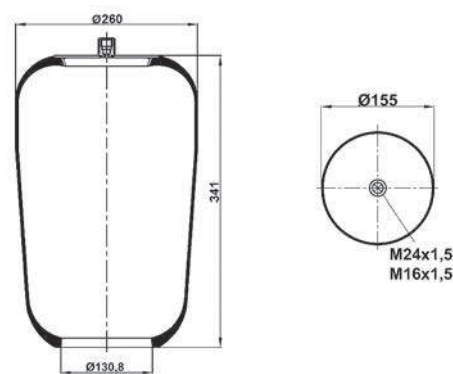
CROSS REFERENCES

CONTITECH 4758 N P01**SA

OEM REFERENCES

1600-4759 L

Pallet Size: 115*80*75 Product Weight (Kg): 2,55 Pallet Quantity: 28



CROSS REFERENCES

CONTITECH 4759 N

OEM REFERENCES

MERCEDES-BENZ A9423270401

1600-4759 L10

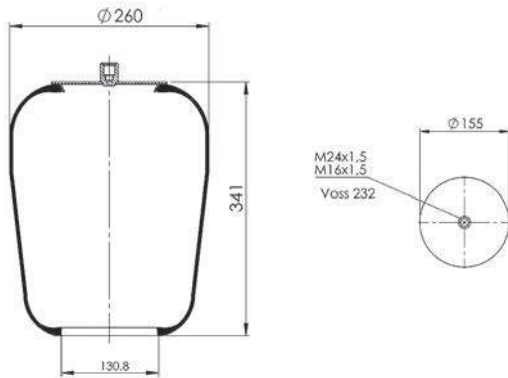
Pallet Size: 115*80*75 Product Weight (Kg): 2,55 Pallet Quantity: 28

CROSS REFERENCES

CONTITECH 4759 N P21
(Voss232)**SA

OEM REFERENCES

MERCEDES-BENZ A9423204421



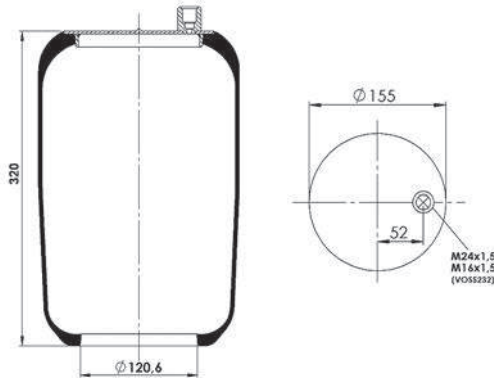
1600-4786 L

Pallet Size: 115*80*75 Product Weight (Kg): 1,986 Pallet Quantity: 30

CROSS REFERENCES

CONTITECH 4786 N P21**SA
(VOSS 232)

OEM REFERENCES



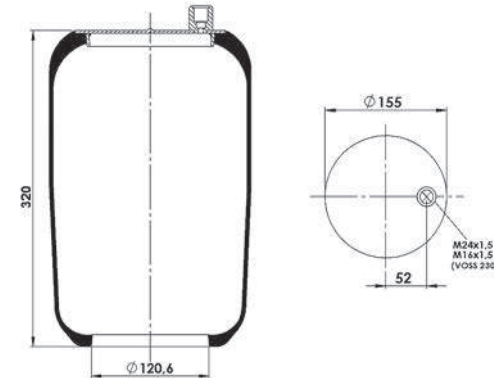
1600-4786 L1

Pallet Size: 115*80*75 Product Weight (Kg): Pallet Quantity: 30

CROSS REFERENCES

CONTITECH 4786 N P01**SA
(VOSS 230)

OEM REFERENCES



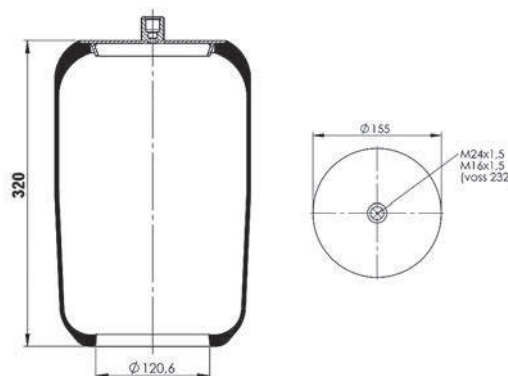
1600-4786 L2

Pallet Size: 115*80*75 Product Weight (Kg): Pallet Quantity: 30

CROSS REFERENCES

CONTITECH 4786 N P02**SA

OEM REFERENCES



1600-4810 L5

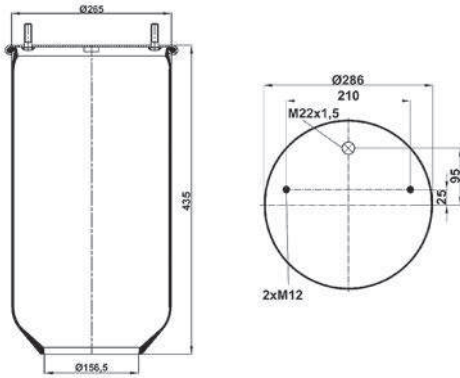
Pallet Size: 115*80*75 Product Weight (Kg): 4,42 Pallet Quantity: 24

CROSS REFERENCES

CONTITECH

4810 N P05**SA

OEM REFERENCES



1600-4810 AL

Pallet Size: 115*80*80 Product Weight (Kg): 3,75 Pallet Quantity: 24

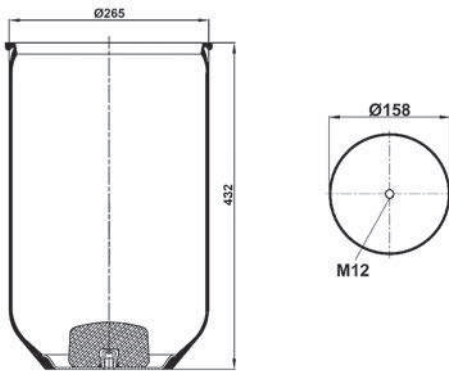
CROSS REFERENCES

CONTITECH

4810NTB

OEM REFERENCES

PEGASO 174933
 MAN 81436010042
 81436010047
 81436016019



1600-4813 L7

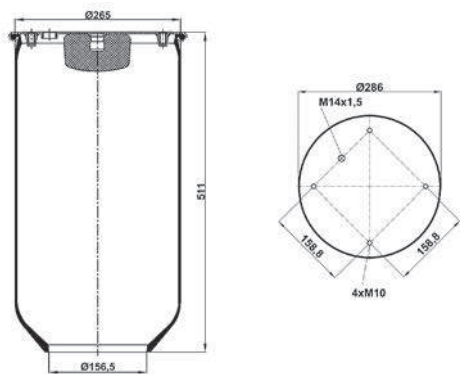
Pallet Size: 115*80*80 Product Weight (Kg): 5,02 Pallet Quantity: 24

CROSS REFERENCES

CONTITECH

4813 N P07**SA

OEM REFERENCES



1600-4813 AL

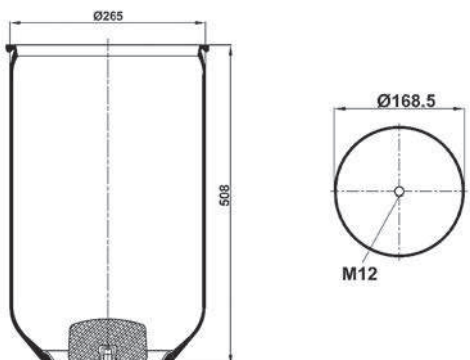
Pallet Size: 115*80*80 Product Weight (Kg): 3,66 Pallet Quantity: 24

CROSS REFERENCES

CONTITECH

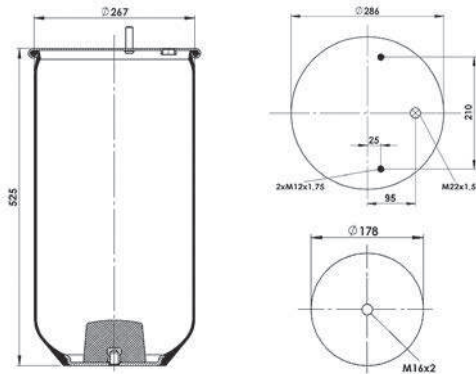
4813 N P07**SA

OEM REFERENCES



1600-4815 L

Pallet Size: 115*80*80 Product Weight (Kg): Pallet Quantity: 24



CROSS REFERENCES

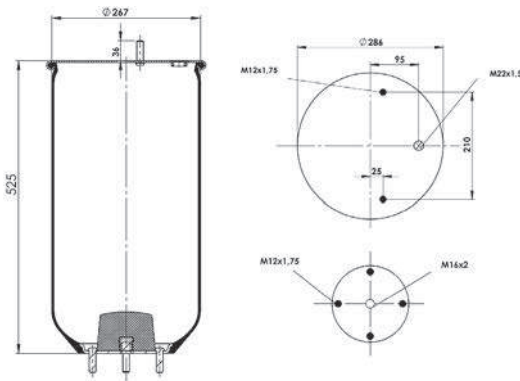
GOODYEAR 1R14-815**SA

OEM REFERENCES

SAF 2923VK 3.229.0028.00 Intra
2924V 3.229.0041.00

1600-4815 L2

Pallet Size: 115*80*80 Product Weight (Kg): Pallet Quantity: 24

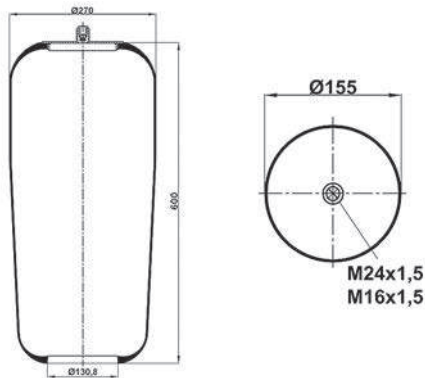


CROSS REFERENCES

SAF 2924 V
3.229.0041.00

1600-4838 L1

Pallet Size: 115*80*80 Product Weight (Kg): 3,25 Pallet Quantity: 28



CROSS REFERENCES

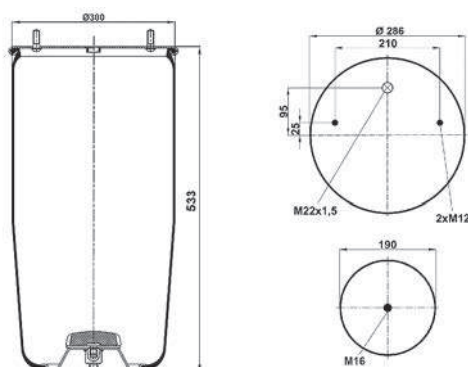
CONTITECH 4838 N

OEM REFERENCES

MERCEDES-BENZ A9463280001
A9463280021

1600-4851 L

Pallet Size: 115*80*80 Product Weight (Kg): Pallet Quantity: 22



CROSS REFERENCES

GOODYEAR 1R14-851

OEM REFERENCES

TRIDEC 311208

1600-4862 L

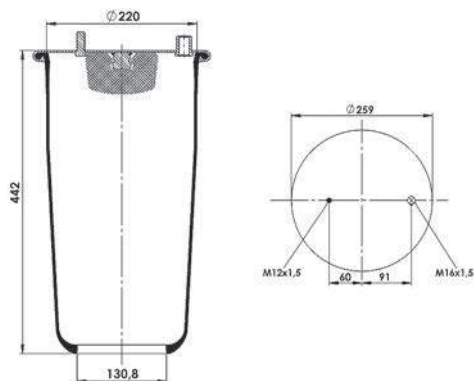
Pallet Size: 115*80*91 Product Weight (Kg): 4,26 Pallet Quantity: 28

CROSS REFERENCES

CONTITECH 4862 N1 P01

OEM REFERENCES

MAN 81436010168



1600-4881 L2

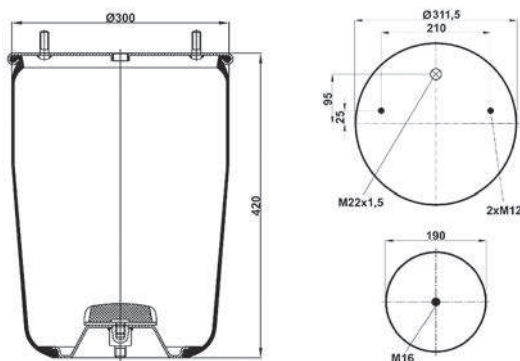
Pallet Size: 115*80*75 Product Weight (Kg): 6,53 Pallet Quantity: 22

CROSS REFERENCES

FIRESTONE W01-M58-8601
 CONTITECH 4881 N P02
 FIRESTONE 1T66D-7.0
 GOODYEAR 1R14-701

OEM REFERENCES

BPW 05.429.41.01.0
 BPW36K



1600-4882 L

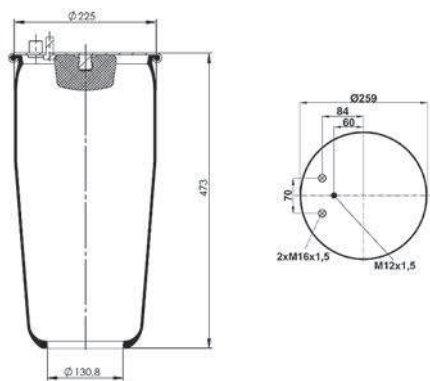
Pallet Size: 115*80*75 Product Weight (Kg): 4,51 Pallet Quantity: 28

CROSS REFERENCES

CONTITECH 4882 N1 P01
 GOODYEAR 1R10-702

OEM REFERENCES

MAN 81436010151



1600-4883 L1

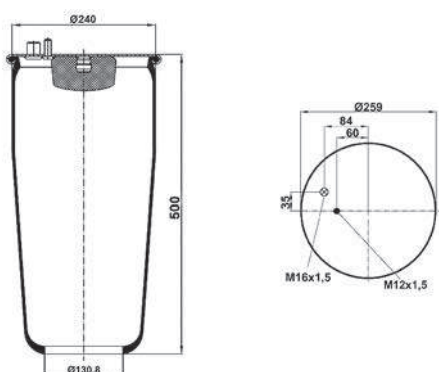
Pallet Size: 115*80*75 Product Weight (Kg): 4,7 Pallet Quantity: 28

CROSS REFERENCES

CONTITECH 4883 N1 P01

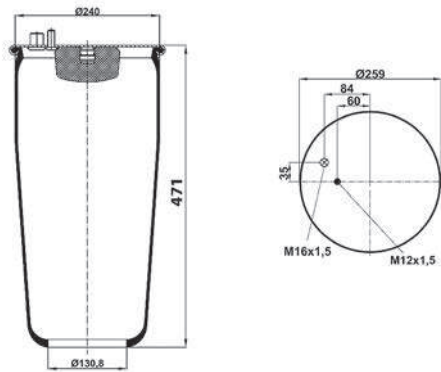
OEM REFERENCES

MAN 81436010153



1600-4884 L1

Pallet Size: 115*80*75 Product Weight (Kg): 4,57 Pallet Quantity: 28



CROSS REFERENCES

CONTITECH
GOODYEAR

4884 N1 P01
1R11-820

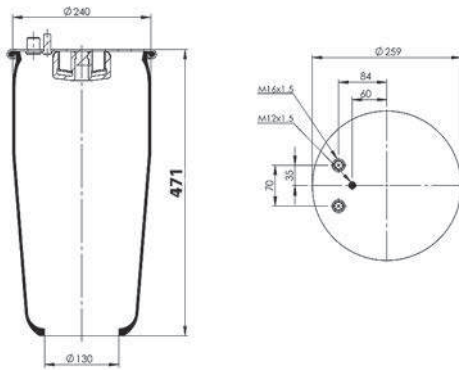
OEM REFERENCES

MAN

81436010152
81436010174

1600-4884 L2

Pallet Size: 115*80*75 Product Weight (Kg): 4,39 Pallet Quantity: 28



CROSS REFERENCES

CONTITECH

4884 N1 P02

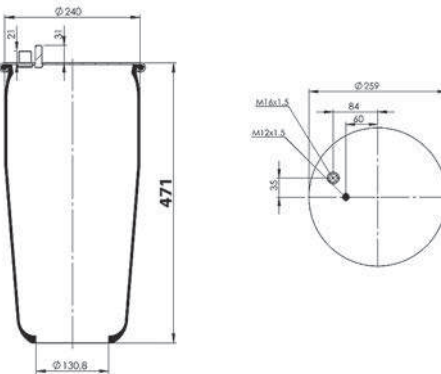
OEM REFERENCES

MAN

81436010173

1600-4884 L3

Pallet Size: 115*80*75 Product Weight (Kg): Pallet Quantity: 28



CROSS REFERENCES

CONTITECH

4884 N1 P03

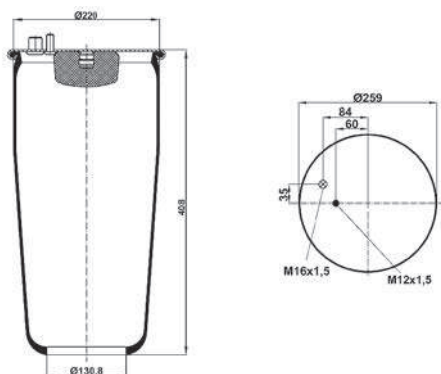
OEM REFERENCES

MAN

8543601000

1600-4885 L

Pallet Size: 115*80*91 Product Weight (Kg): 4,15 Pallet Quantity: 28



CROSS REFERENCES

CONTITECH

4885 N1 P01

OEM REFERENCES

MAN

81436010160
81436016071

1600-4886 L

Pallet Size: 115*80*75 Product Weight (Kg): 4,555 Pallet Quantity: 28

CROSS REFERENCES

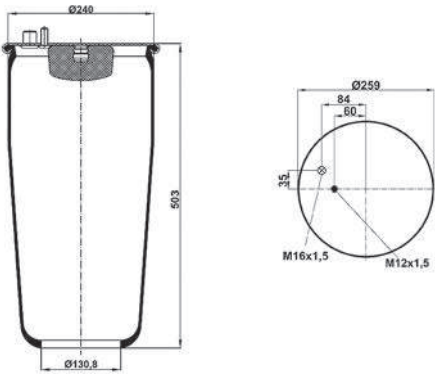
CONTITECH

4886 N P02

OEM REFERENCES

MAN

81436010165



1600-4887 L10

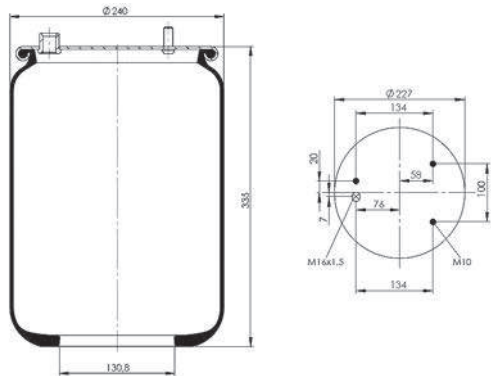
Pallet Size: 115*80*75 Product Weight (Kg): 3,24 Pallet Quantity: 30

CROSS REFERENCES

FIRESTONE

W01-M58-8681**SA

OEM REFERENCES



1600-4911 L3

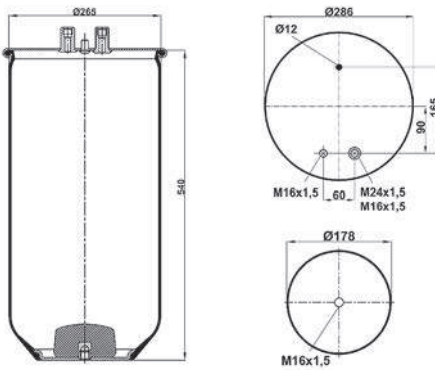
Pallet Size: 115*80*80 Product Weight (Kg): 6,65 Pallet Quantity: 24

CROSS REFERENCES

CONTITECH

4911 N P02

OEM REFERENCES



1600-4911 L4

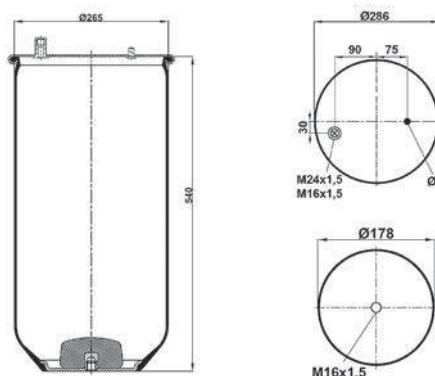
Pallet Size: 115*80*80 Product Weight (Kg): 7,02 Pallet Quantity: 24

CROSS REFERENCES

CONTITECH

4911 N P04**SA

OEM REFERENCES

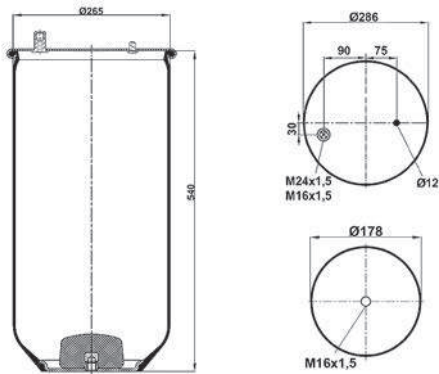


1600-4911 L6

Pallet Size: 115*80*80 Product Weight (Kg): 7,11 Pallet Quantity: 24

CROSS REFERENCES

CONTITECH 4911 N P06**SA

OEM REFERENCES

1600-4912 L8

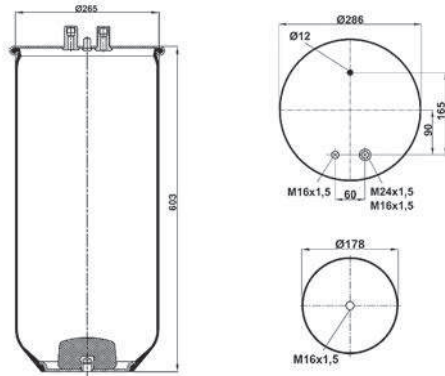
Pallet Size: 115*80*91 Product Weight (Kg): 7,375 Pallet Quantity: 24

CROSS REFERENCES

 CONTITECH 4912 N P08
 GOODYEAR 1R13-713

OEM REFERENCES

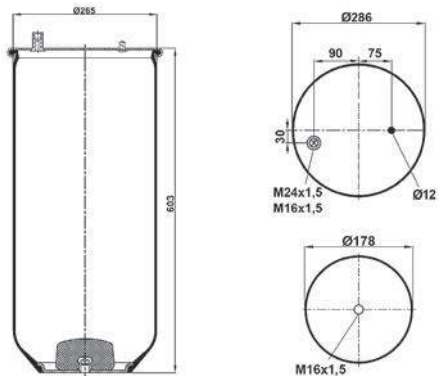
RENAULT V.I 5001832067


1600-4912 L10

Pallet Size: 115*80*91 Product Weight (Kg): 7,19 Pallet Quantity: 24

CROSS REFERENCES

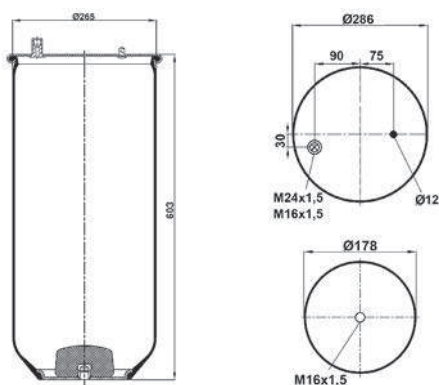
CONTITECH 4912 N P10**SA

OEM REFERENCES

1600-4912 L13

Pallet Size: 115*80*91 Product Weight (Kg): 7 Pallet Quantity: 24

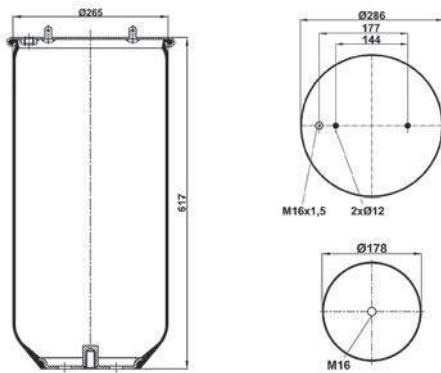
CROSS REFERENCES

CONTITECH 4912 N P13**SA

OEM REFERENCES


1600-4913 L2

Pallet Size: 115*80*80 Product Weight (Kg): 7,02 Pallet Quantity: 24



CROSS REFERENCES

CONTITECH
GOODYEAR

4913 N P04
1R14-755

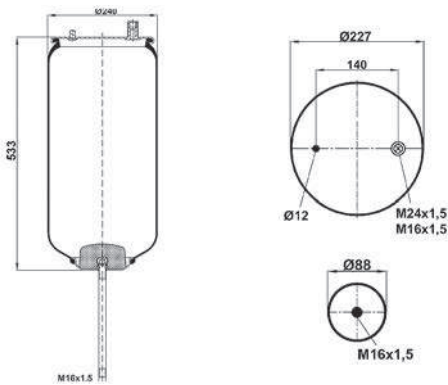
OEM REFERENCES

SCANIA

1379393

1600-4915 L3

Pallet Size: 115*80*80 Product Weight (Kg): 5,346 Pallet Quantity: 28



CROSS REFERENCES

CONTITECH

4915 N P03

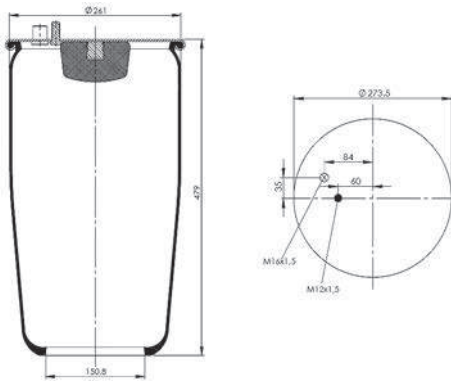
OEM REFERENCES

RENAULT V.I

5001855856

1600-4916 L

Pallet Size: 115*80*75 Product Weight (Kg): 5,09 Pallet Quantity: 28



CROSS REFERENCES

CONTITECH

4916 N1 P01

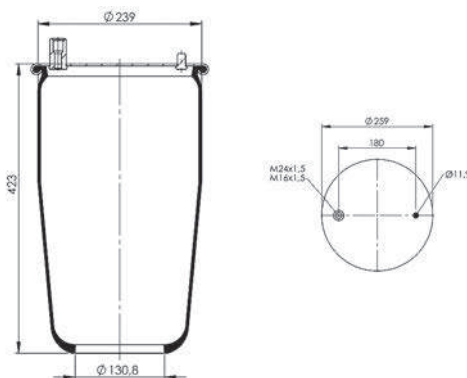
OEM REFERENCES

MAN

81436010158

1600-4919 L

Pallet Size: 115*80*80 Product Weight (Kg): 3,87 Pallet Quantity: 24



CROSS REFERENCES

CONTITECH

4919 N

OEM REFERENCES

1600-4922 L

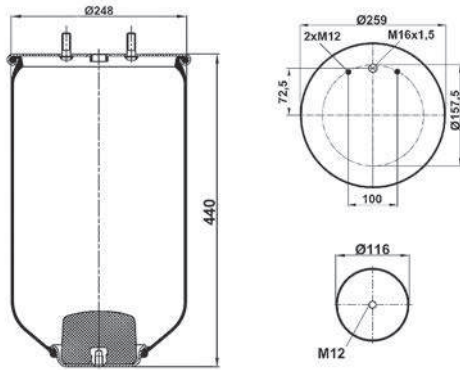
Pallet Size: 115*80*80 Product Weight (Kg): 5,21 Pallet Quantity: 28

CROSS REFERENCES

CONTITECH

4922 N

OEM REFERENCES

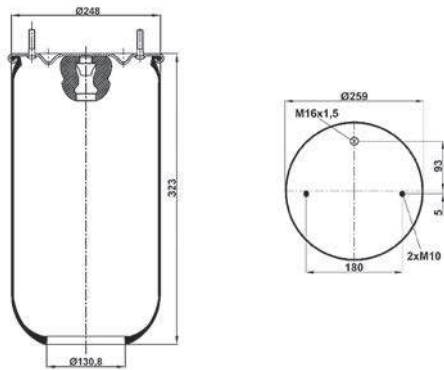


1600-4925 L

Pallet Size: 115*80*75 Product Weight (Kg): 3,89 Pallet Quantity: 24

CROSS REFERENCES

OEM REFERENCES



1600-4929 L

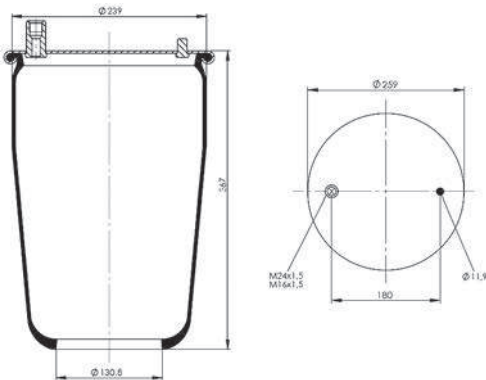
Pallet Size: 115*80*75 Product Weight (Kg): 3,67 Pallet Quantity: 30

CROSS REFERENCES

CONTITECH

4929 N P01 RT**SA

OEM REFERENCES



1600-4930 L

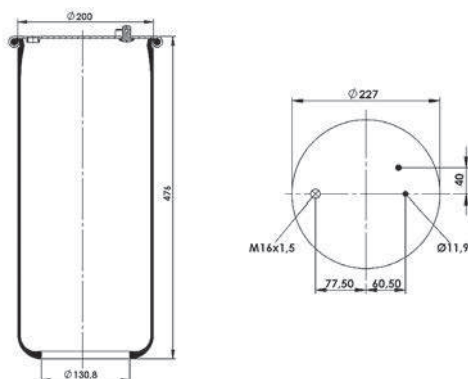
Pallet Size: 115*80*75 Product Weight (Kg): Pallet Quantity: 30

CROSS REFERENCES

FIRESTONE

W01-M58-8653**SA

OEM REFERENCES



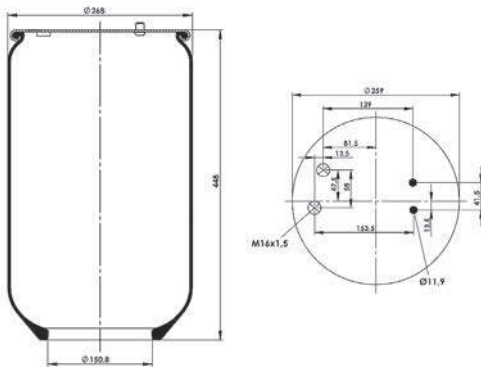
1600-4933 L

Pallet Size: 115*80*75 Product Weight (Kg): 4,23 Pallet Quantity: 24

CROSS REFERENCES

OEM REFERENCES

SCANIA 1434933



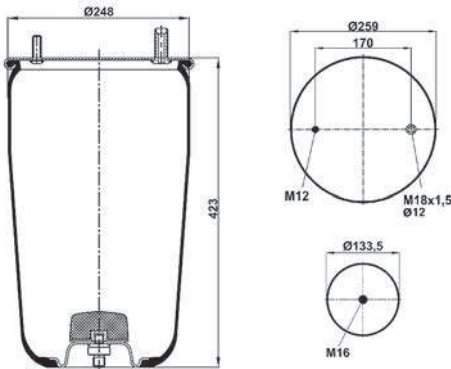
1600-4940 L2

Pallet Size: 115*80*75 Product Weight (Kg): 4,66 Pallet Quantity: 28

CROSS REFERENCES

OEM REFERENCES

CONTITECH 4940 N P02 BPW 05.429.41.56.0 BPW30K



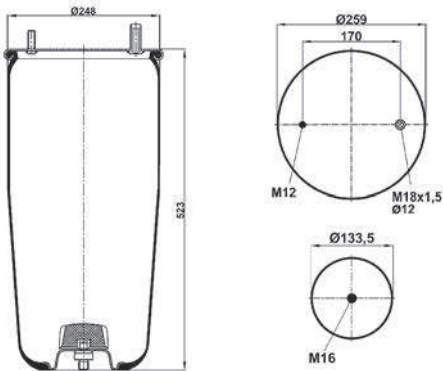
1600-4941 L2

Pallet Size: 115*80*80 Product Weight (Kg): 4,97 Pallet Quantity: 28

CROSS REFERENCES

OEM REFERENCES

CONTITECH 4941 N P02 BPW 05.429.41.25.0 BPW30



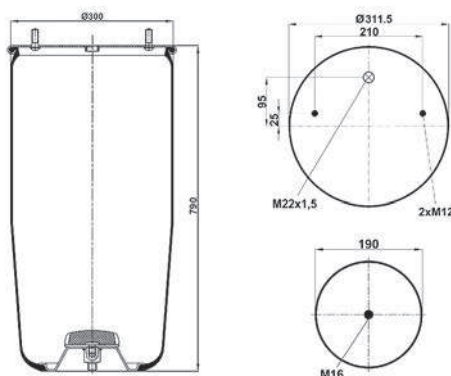
1600-4942 L2

Pallet Size: 115*80*65 Product Weight (Kg): 8,1 Pallet Quantity: 11

CROSS REFERENCES

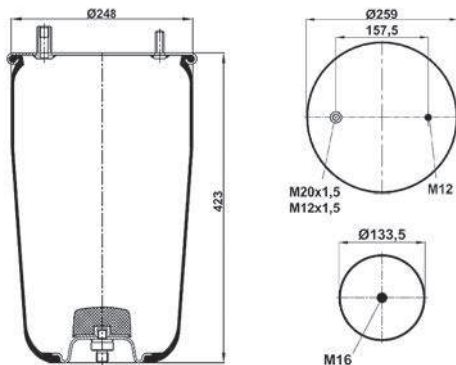
OEM REFERENCES

CONTITECH 4942 N P02 BPW 05.429.41.09.0 BPW36-2



1600-4960 L2

Pallet Size: 115*80*75 Product Weight (Kg): 4,65 Pallet Quantity: 28


CROSS REFERENCES

 CONTITECH
 GOODYEAR

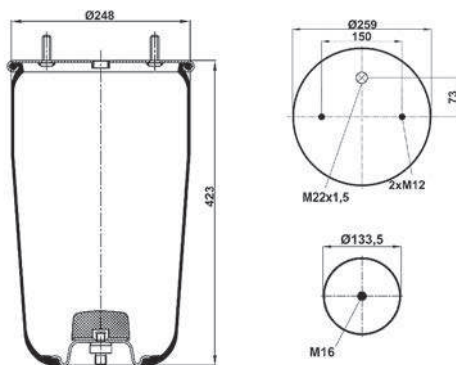
 4960 N P02
 1R11-801

OEM REFERENCES

 BPW
 05.429.41.77.0
 BPW30K

1600-4961 L2

Pallet Size: 115*80*75 Product Weight (Kg): 4,6 Pallet Quantity: 28


CROSS REFERENCES

 CONTITECH
 GOODYEAR

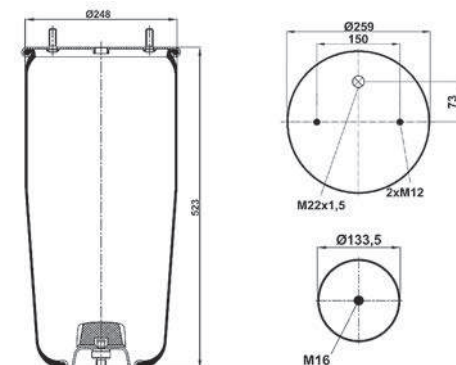
 4961 N P02
 1R11-800

OEM REFERENCES

 BPW
 05.429.42.04.0
 BPW30K

1600-4962 L2

Pallet Size: 115*80*80 Product Weight (Kg): 4,9 Pallet Quantity: 28


CROSS REFERENCES

CONTITECH

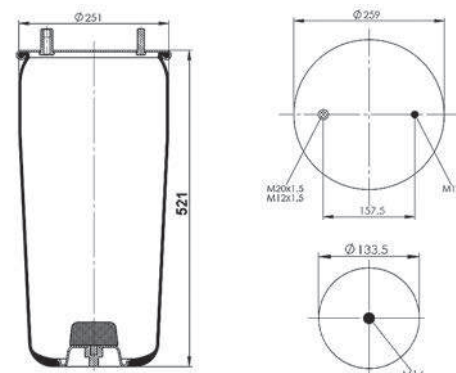
4962 N P02

OEM REFERENCES

 BPW
 05.429.42.03.0
 BPW30

1600-4963 L

Pallet Size: 115*80*80 Product Weight (Kg): 5,08 Pallet Quantity: 28


CROSS REFERENCES

CONTITECH

4963 N P01

OEM REFERENCES

 BPW
 05.429.42.54.0

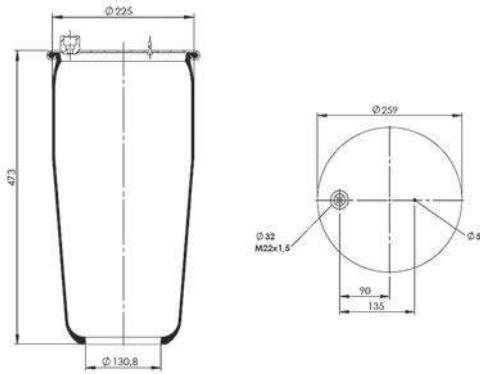
1600-6122 L1

Pallet Size: 115*80*75 Product Weight (Kg): Pallet Quantity: 30

CROSS REFERENCES

CONTITECH 6122 N P46**SA

OEM REFERENCES



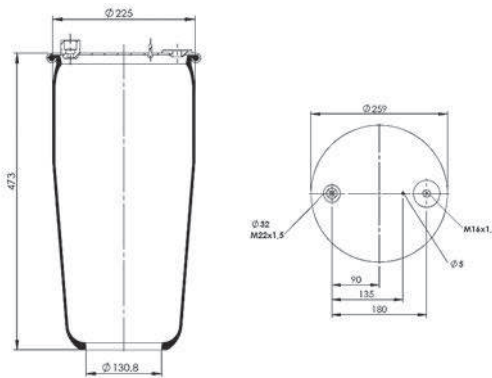
1600-6122 L2

Pallet Size: 115*80*75 Product Weight (Kg): Pallet Quantity: 30

CROSS REFERENCES

CONTITECH 6122 N P47**SA

OEM REFERENCES



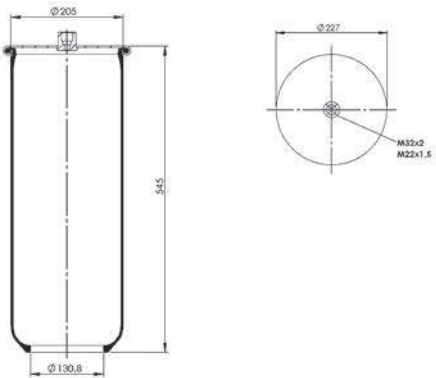
1600-6123 L

Pallet Size: Product Weight (Kg): Pallet Quantity:

CROSS REFERENCES

CONTITECH 6123 N P40**SA

OEM REFERENCES



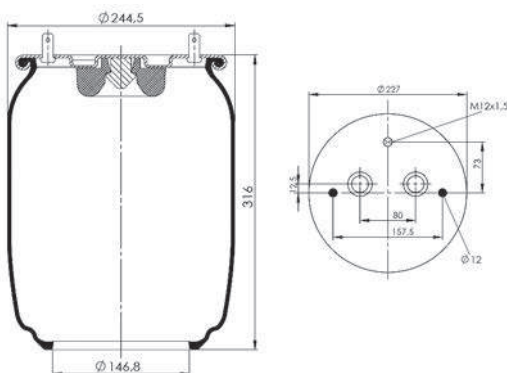
1600-6198 L

Pallet Size: 115*80*80 Product Weight (Kg): 3,38 Pallet Quantity: 24

CROSS REFERENCES

OEM REFERENCES

SCANIA 1362143**SA
1386198**SA



1600-6199 L

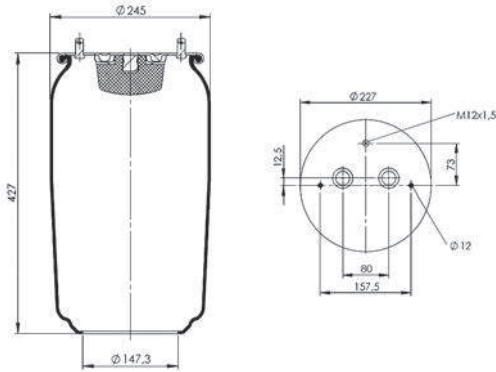
Pallet Size: 115*80*75 Product Weight (Kg): 4,14 Pallet Quantity: 28

CROSS REFERENCES

OEM REFERENCES

SCANIA

1386199



1600-6200 L

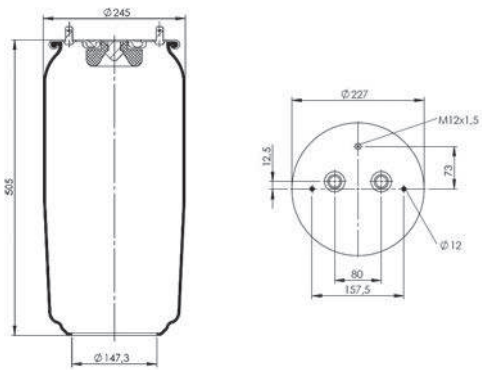
Pallet Size: 115*80*91 Product Weight (Kg): 4 Pallet Quantity: 24

CROSS REFERENCES

OEM REFERENCES

SCANIA

1386200



1600-6237 L

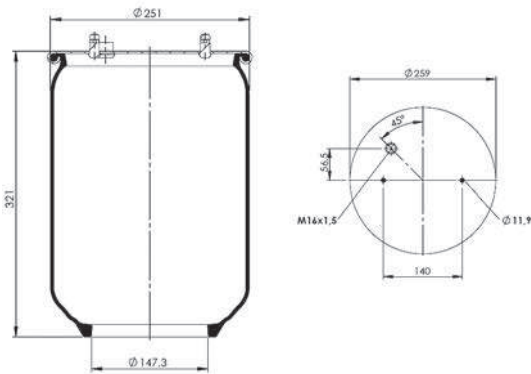
Pallet Size: 115*80*75 Product Weight (Kg): 3,42 Pallet Quantity: 28

CROSS REFERENCES

OEM REFERENCES

GOODYEAR

1R13-750**SA



1600-6243 L

Pallet Size: 115*80*75 Product Weight (Kg): Pallet Quantity: 28

CROSS REFERENCES

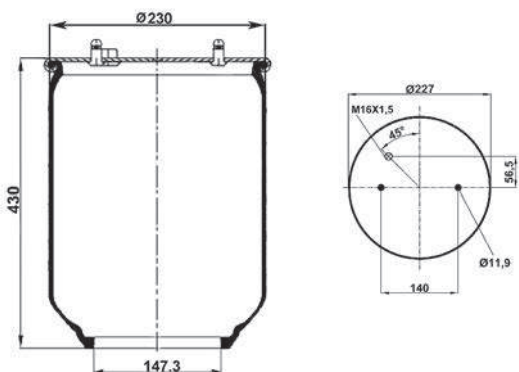
OEM REFERENCES

GOODYEAR

566-22-3-546
1R11-838

SCANIA

1726243



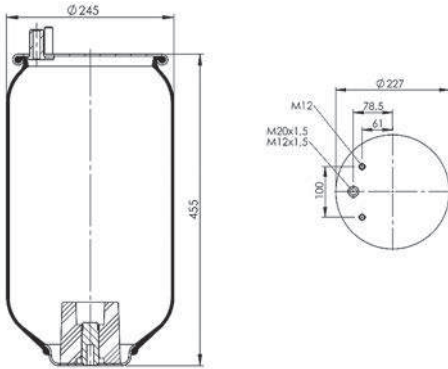
1600-6247 L

Pallet Size: 115*80*75 Product Weight (Kg): Pallet Quantity: 28

CROSS REFERENCES

OEM REFERENCES

VOLVO
20 352 247**SA
20 386 228**SA



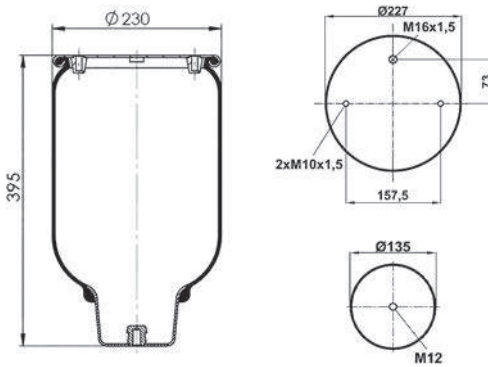
1600-6251 L

Pallet Size: 115*80*75 Product Weight (Kg): 4,97 Pallet Quantity: 30

CROSS REFERENCES

OEM REFERENCES

FIRESTONE
W01-M58-6251**SA
1T15AA-3



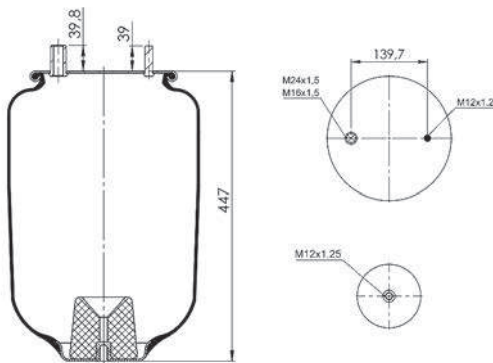
1600-6260 L

Pallet Size: 115*80*75 Product Weight (Kg): Pallet Quantity: 28

CROSS REFERENCES

OEM REFERENCES

FIRESTONE
W01-M58-6260**SA
HENDRICKSON
59053-2F



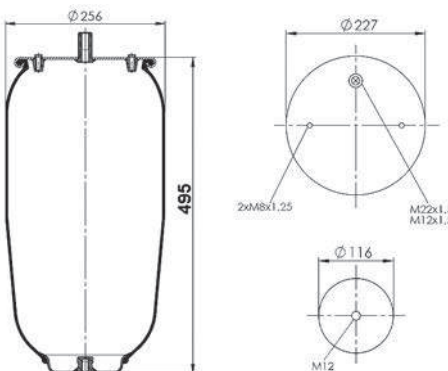
1600-6318 L

Pallet Size: 115*80*75 Product Weight (Kg): 4,48 Pallet Quantity: 28

CROSS REFERENCES

OEM REFERENCES

FIRESTONE
GOODYEAR
W01-968-6318**SA
1R12-840



1600-6416 L

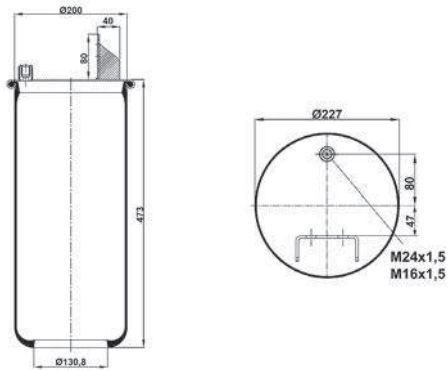
Pallet Size: 115*80*80 Product Weight (Kg): 3,63 Pallet Quantity: 30

CROSS REFERENCES

CONTITECH

6608 N P01**SA

OEM REFERENCES



1600-6416 L2

Pallet Size: 115*80*80 Product Weight (Kg): 3,63 Pallet Quantity: 30

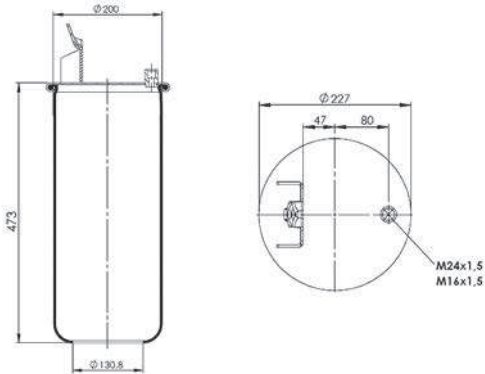
CROSS REFERENCES

CONTITECH

6607 N P01**SA

OEM REFERENCES

SPECIAL PRODUCT



1600-6418 L

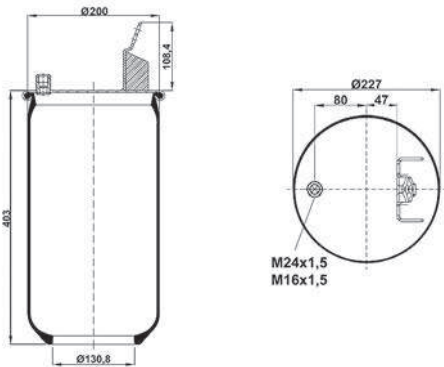
Pallet Size: 115*80*75 Product Weight (Kg): 3,666 Pallet Quantity: 30

CROSS REFERENCES

CONTITECH

6607 N P01**SA

OEM REFERENCES



1600-6420 L

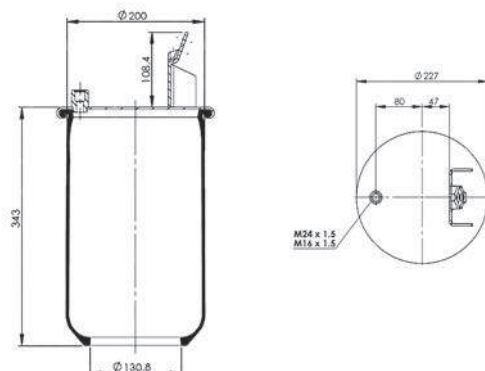
Pallet Size: 115*80*80 Product Weight (Kg): 3,31 Pallet Quantity: 30

CROSS REFERENCES

CONTITECH

6600 N P02**SA

OEM REFERENCES



1600-6602 L

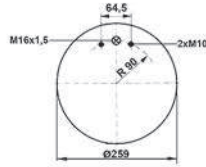
Pallet Size: 115*80*75 Product Weight (Kg): 3,345 Pallet Quantity: 28

CROSS REFERENCES

CONTITECH

6602 N P01**SA

OEM REFERENCES



1600-6603 L

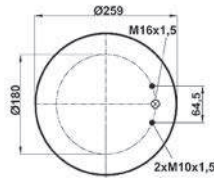
Pallet Size: 115*80*75 Product Weight (Kg): 4,14 Pallet Quantity: 28

CROSS REFERENCES

CONTITECH

6603 N P01**SA

OEM REFERENCES



1600-6604 L

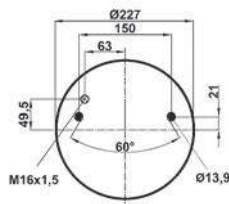
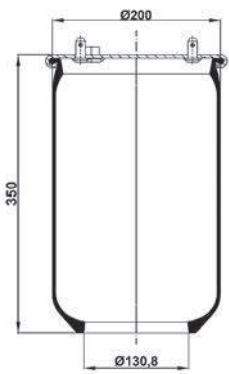
Pallet Size: 115*80*75 Product Weight (Kg): 2,95 Pallet Quantity: 30

CROSS REFERENCES

CONTITECH

6604 N P01**SA

OEM REFERENCES



1600-6609 L

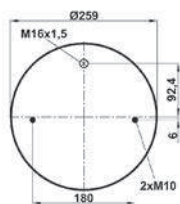
Pallet Size: 115*80*80 Product Weight (Kg): 4,14 Pallet Quantity: 24

CROSS REFERENCES

CONTITECH

6609 N P01**SA

OEM REFERENCES



1600-6752 L

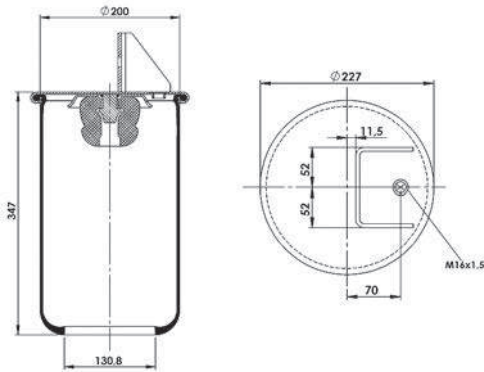
Pallet Size: 115*80*75 Product Weight (Kg): Pallet Quantity: 30

CROSS REFERENCES

OEM REFERENCES

VOLVO

20554752**SA



1600-6760 L

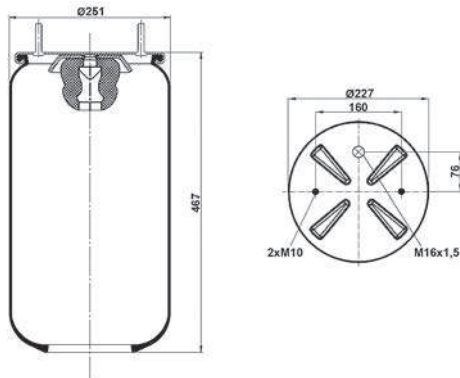
Pallet Size: 115*80*80 Product Weight (Kg): 4,257 Pallet Quantity: 28

CROSS REFERENCES

OEM REFERENCES

CONTITECH

6612 N P01**SA



1600-6762 L

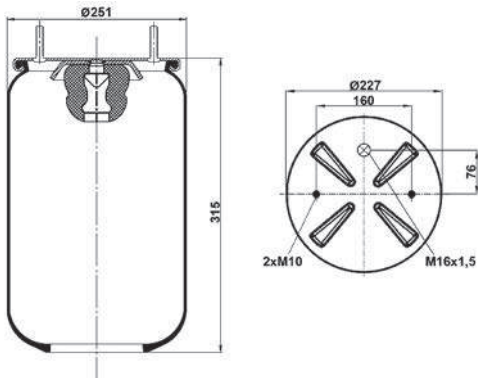
Pallet Size: 115*80*75 Product Weight (Kg): 4,11 Pallet Quantity: 28

CROSS REFERENCES

OEM REFERENCES

CONTITECH

6613 N P01**SA



1600-6768 L

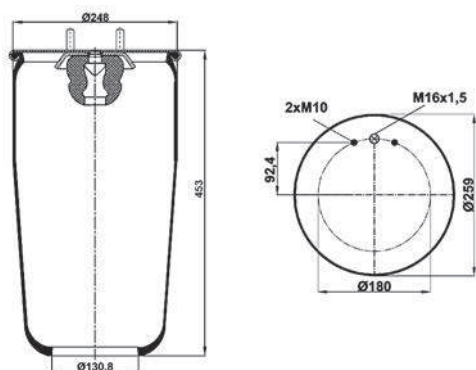
Pallet Size: 115*80*75 Product Weight (Kg): Pallet Quantity: 28

CROSS REFERENCES

OEM REFERENCES

CONTITECH

54768 M**SA



1600-6770 L

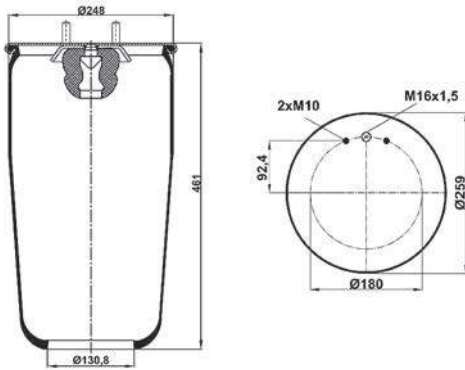
Pallet Size: 115*80*91 Product Weight (Kg): 4,3 Pallet Quantity: 24

CROSS REFERENCES

CONTITECH

54770 M**SA

OEM REFERENCES



1600-6771 L

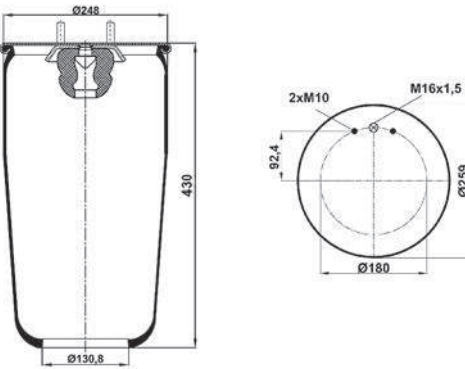
Pallet Size: 115*80*80 Product Weight (Kg): Pallet Quantity: 28

CROSS REFERENCES

CONTITECH

54771M**SA

OEM REFERENCES



1600-6884 L

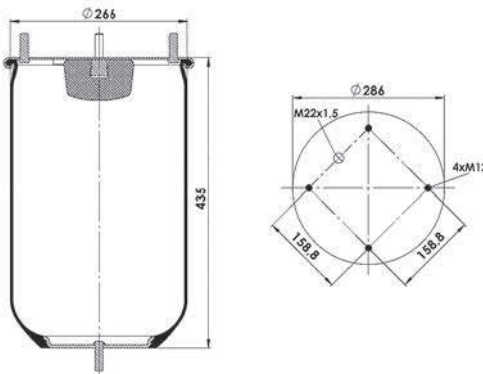
Pallet Size: 115*80*91 Product Weight (Kg): 5,1 Pallet Quantity: 24

CROSS REFERENCES

FIRESTONE

W01-M58-8772**SA

OEM REFERENCES



1600-7003 L

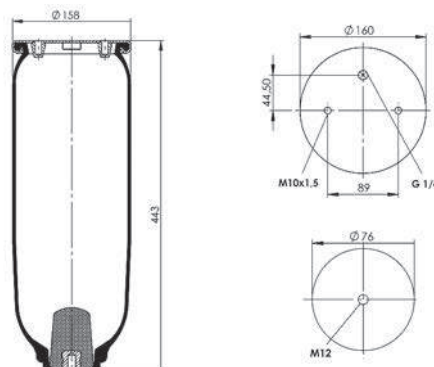
Pallet Size: 115*80*80 Product Weight (Kg): Pallet Quantity: 24

CROSS REFERENCES

OEM REFERENCES

MERCEDES SPRINTER

2007-2013



1600-7074 L

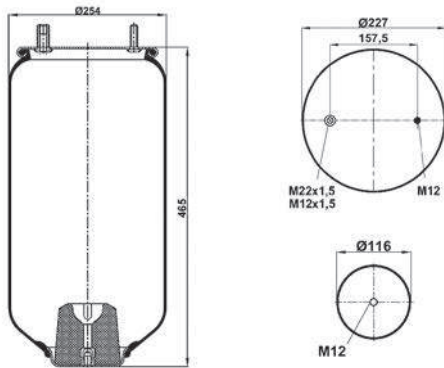
Pallet Size: 115*80*75 Product Weight (Kg): 4,5 Pallet Quantity: 28

CROSS REFERENCES

FIRESTONE

OEM REFERENCES

W01-M58-7074**SA



1600-7313 L

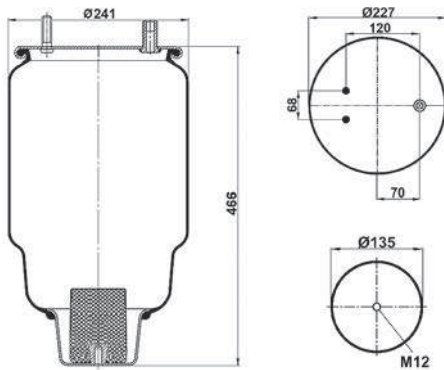
Pallet Size: 115*80*80 Product Weight (Kg): 5,12 Pallet Quantity: 28

CROSS REFERENCES

FIRESTONE

OEM REFERENCES

W01-M58-7313**SA
1T15AA-6



1600-7315 L

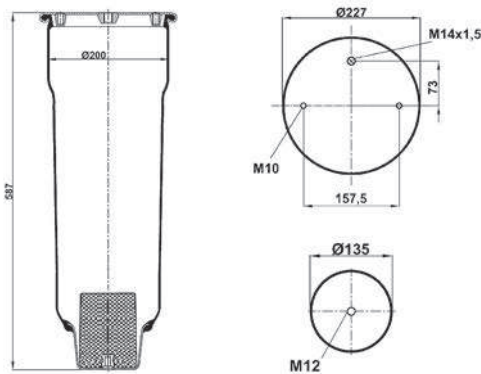
Pallet Size: 115*80*80 Product Weight (Kg): 5,17 Pallet Quantity: 28

CROSS REFERENCES

FIRESTONE

OEM REFERENCES

W01-M58-7315**SA
1T15S-11



1600-7367 L

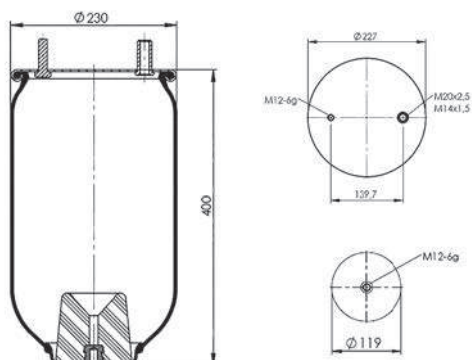
Pallet Size: 115*80*75 Product Weight (Kg): Pallet Quantity: 30

CROSS REFERENCES

FIRESTONE

OEM REFERENCES

W01-M58-7367**SA SCANIA BUS 463100**SA



1600-7803 L

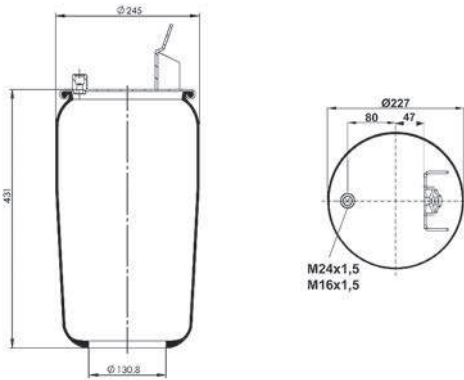
Pallet Size: 115*80*80 Product Weight (Kg): 3,88 Pallet Quantity: 30

CROSS REFERENCES

CONTITECH

6605 N P01**SA

OEM REFERENCES



1600-7804 L

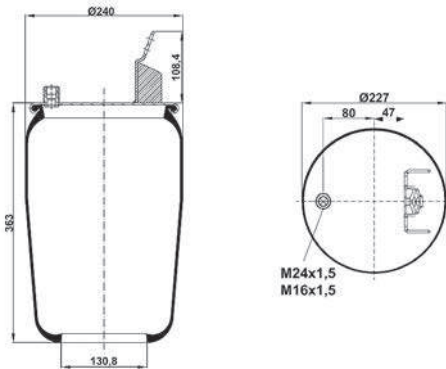
Pallet Size: 115*80*75 Product Weight (Kg): 3,6 Pallet Quantity: 30

CROSS REFERENCES

CONTITECH

6606 N P01**SA

OEM REFERENCES



1600-9722 L

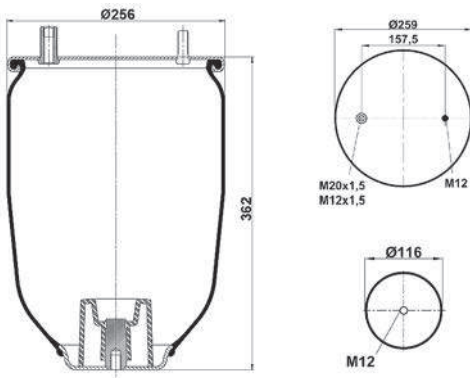
Pallet Size: 115*80*91 Product Weight (Kg): 4,83 Pallet Quantity: 28

CROSS REFERENCES

VIBRACOUSTIC

V1DK27b-1**SA

OEM REFERENCES



1600-7923 L

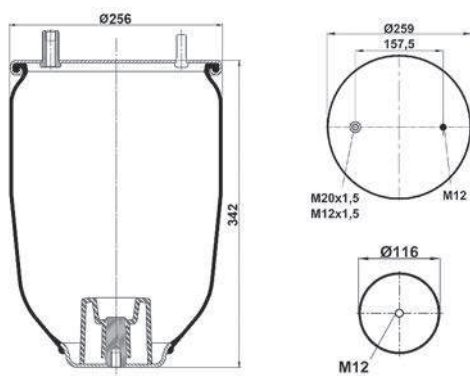
Pallet Size: 115*80*91 Product Weight (Kg): 4,77 Pallet Quantity: 28

CROSS REFERENCES

VIBRACOUSTIC

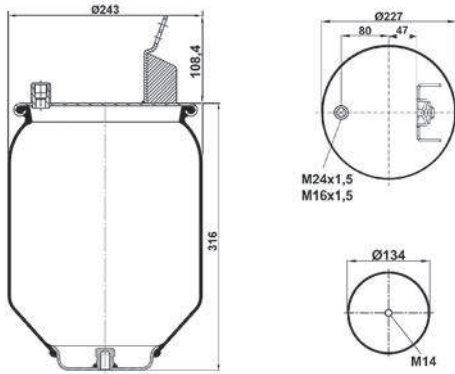
V1DK27b-2**SA

OEM REFERENCES



1600-7947 L

Pallet Size: 115*80*75 Product Weight (Kg): 4,97 Pallet Quantity: 28



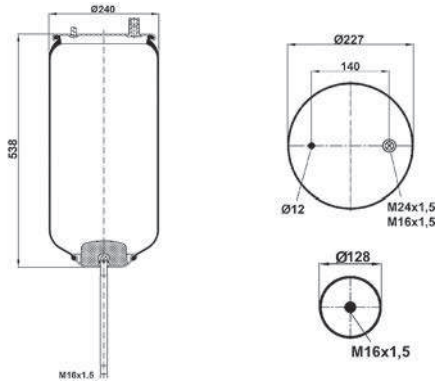
CROSS REFERENCES

OEM REFERENCES

VOLVO 20737943
20737947

1600-8070 L

Pallet Size: 115*80*91 Product Weight (Kg): 5,86 Pallet Quantity: 28



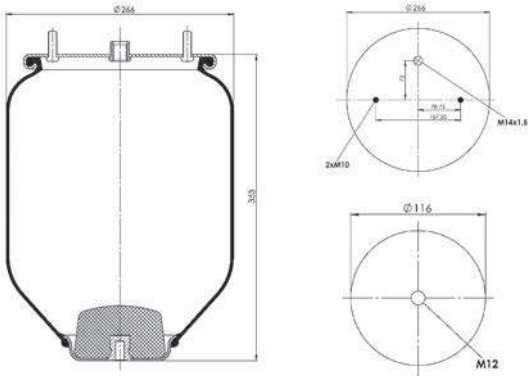
CROSS REFERENCES

OEM REFERENCES

VIBRACOUSTIC V1DK19-1**SA

1600-8071 L

Pallet Size: 115*80*80 Product Weight (Kg): 3,715 Pallet Quantity: 28



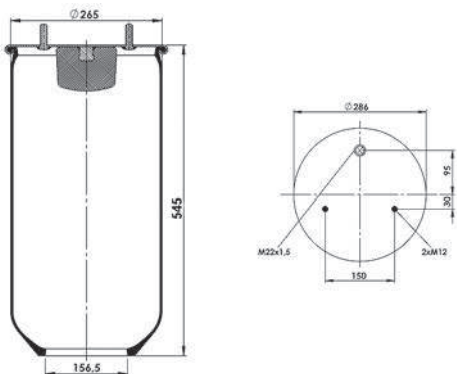
CROSS REFERENCES

OEM REFERENCES

VIBRACOUSTIC V1DK23F-1**SA

1600-8107 L

Pallet Size: 115*80*80 Product Weight (Kg): 5,54 Pallet Quantity: 24



CROSS REFERENCES

OEM REFERENCES

FIRESTONE W01-M58-8107**SA

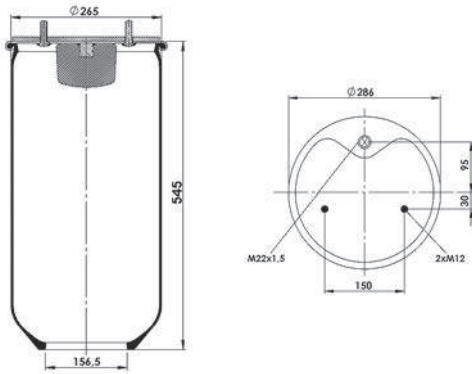
1600-8107 L2

Pallet Size: 115*80*80 Product Weight (Kg): 8,3 Pallet Quantity: 24

CROSS REFERENCES

GOOD YEAR 1R14-784**SA

OEM REFERENCES



1600-8107 L3

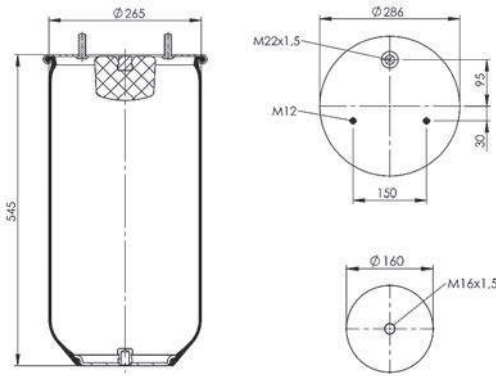
Pallet Size: 115*80*80 Product Weight (Kg): 5,78 Pallet Quantity: 24

CROSS REFERENCES

GOODYEAR 1R14-864

OEM REFERENCES

SCHMITZ 017 686



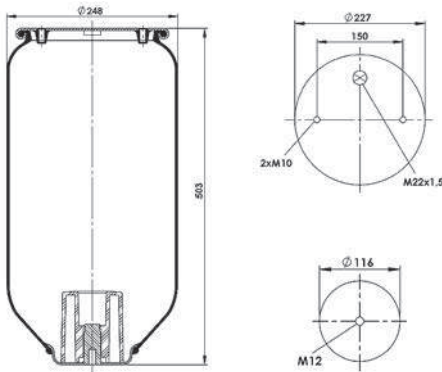
1600-8185 L

Pallet Size: 115*80*80 Product Weight (Kg): 4,65 Pallet Quantity: 28

CROSS REFERENCES

FIRESTONE W01-M58-8185**SA
FIRESTONE 1T15MPW-9
GOODYEAR 1R12-748

OEM REFERENCES



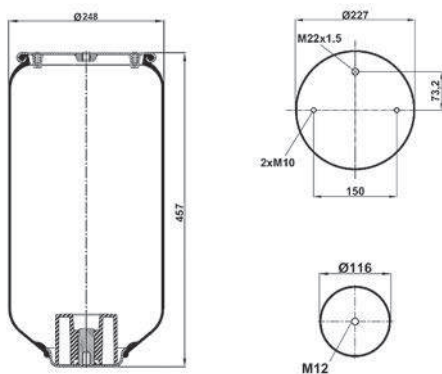
1600-8186 L

Pallet Size: 115*80*80 Product Weight (Kg): 4,33 Pallet Quantity: 28

CROSS REFERENCES

FIRESTONE W01-968-8186**SA
1T15MPW-7

OEM REFERENCES



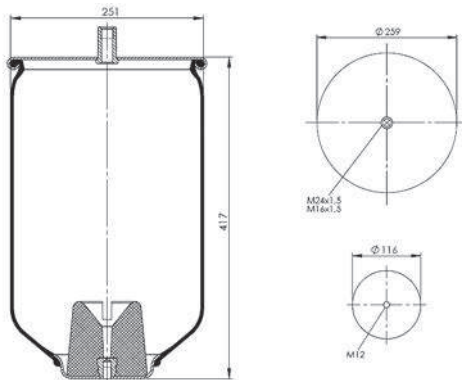
1600-8263 L

Pallet Size: 115*80*80 Product Weight (Kg): 4,78 Pallet Quantity: 28

CROSS REFERENCES

GOODYEAR 1R11-847**SA

OEM REFERENCES



1600-8608 L

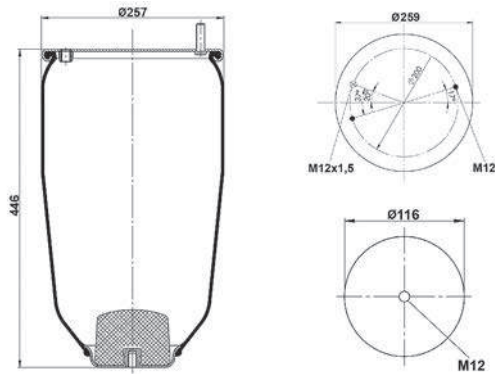
Pallet Size: 115*80*75 Product Weight (Kg): 5,19 Pallet Quantity: 28

CROSS REFERENCES

FIRESTONE W01-M58-8608

OEM REFERENCES

MERITOR 21229214



1600-8679 L

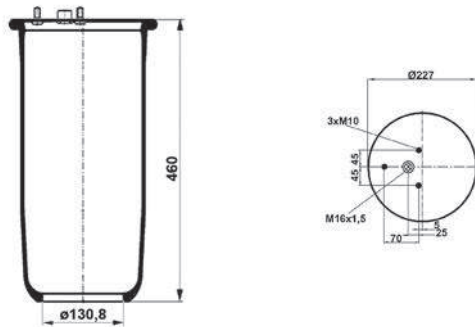
Pallet Size: 115*80*75 Product Weight (Kg): 3,24 Pallet Quantity: 28

CROSS REFERENCES

FIRESTONE W01-M58-8679**SA
CONTITECH 889 M
FIRESTONE 1T15LLR-5

OEM REFERENCES

DAF 1276846

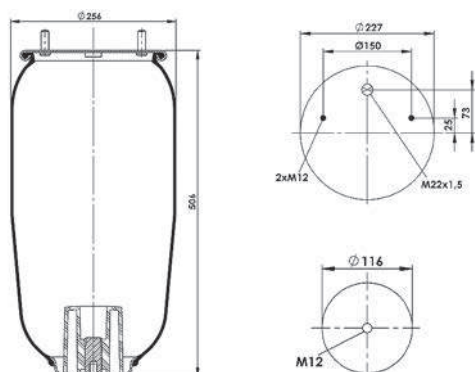


1600-9221 L

Pallet Size: 115*80*80 Product Weight (Kg): 5,1 Pallet Quantity: 28

CROSS REFERENCES

ISUZU TURKUAZ 3870009221



1600-9910 L

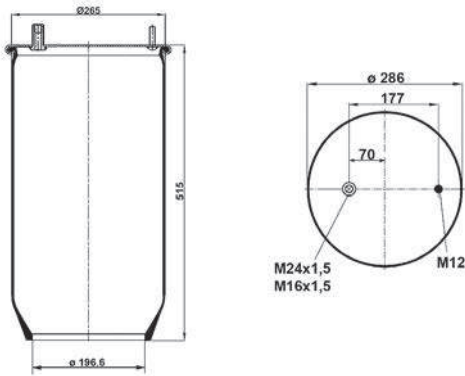
Pallet Size: 115*80*75 Product Weight (Kg): 4,63 Pallet Quantity: 22

CROSS REFERENCES

FIRESTONE

W01-M58-9910

OEM REFERENCES



1600-24019 L

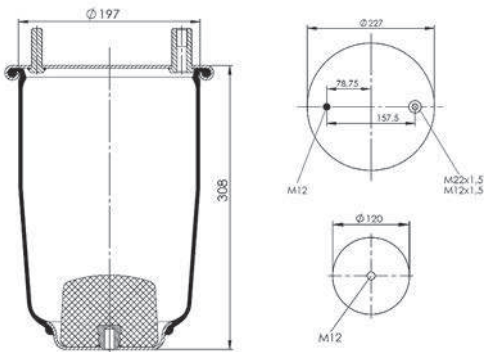
Pallet Size: 115*80*75 Product Weight (Kg): 3,95 Pallet Quantity: 30

CROSS REFERENCES

OEM REFERENCES

OTOKAR

M 2010 MAGIRUS FRONT



1600-27023 L

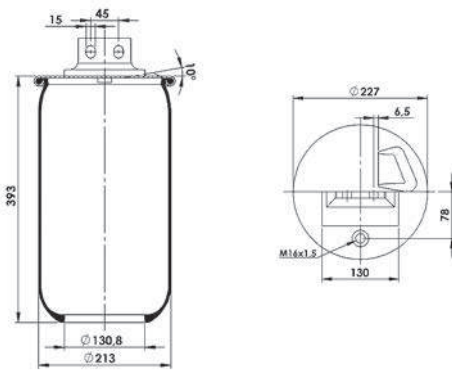
Pallet Size: 115*80*80 Product Weight (Kg): 3,82 Pallet Quantity: 28

CROSS REFERENCES

OEM REFERENCES

IVECO STRALIS

42559765 (FRONT-RIGHT)



1600-27023 L1

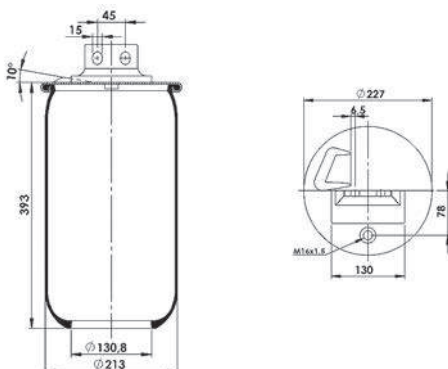
Pallet Size: 115*80*80 Product Weight (Kg): 3,9 Pallet Quantity: 28

CROSS REFERENCES

OEM REFERENCES

IVECO STRALIS

42559766 (FRONT-LEFT)



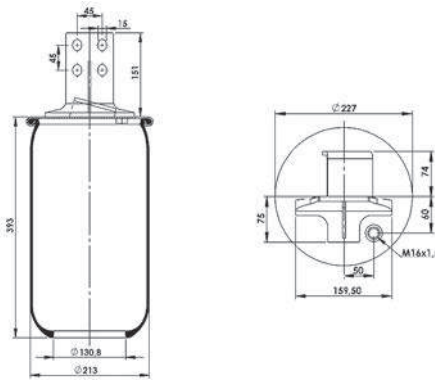
1600-27023 L2

Pallet Size: 115*80*80 Product Weight (Kg): 4,65 Pallet Quantity: 28

CROSS REFERENCES

OEM REFERENCES

IVECO STRALIS 42559767 (REAR-LEFT)



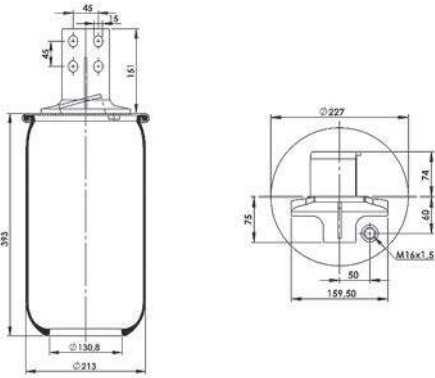
1600-27023 L3

Pallet Size: 115*80*80 Product Weight (Kg): 4,51 Pallet Quantity: 28

CROSS REFERENCES

OEM REFERENCES

IVECO STRALIS 42559768 (REAR-RIGHT)



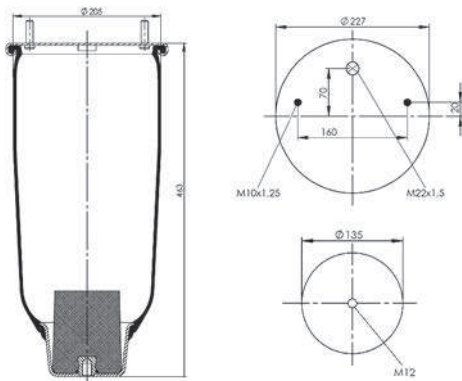
1600-28030 L

Pallet Size: 115*80*80 Product Weight (Kg): Pallet Quantity: 28

CROSS REFERENCES

OEM REFERENCES

CF GOMMA 1 T 280-30**SA



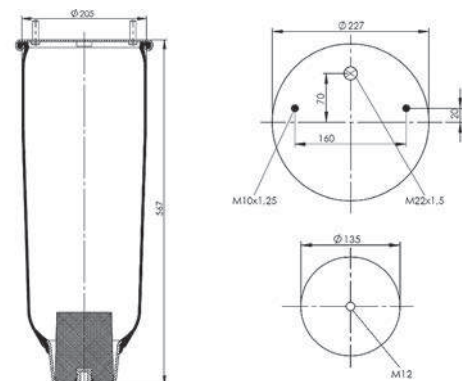
1600-28040 L1

Pallet Size: 115*80*80 Product Weight (Kg): 5 Pallet Quantity: 28

CROSS REFERENCES

OEM REFERENCES

CF GOMMA 1 T 280-40**SA



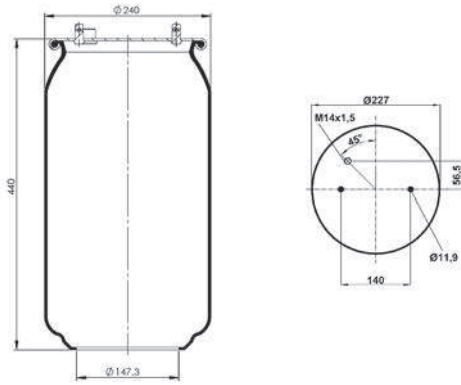
1600-34506 L

Pallet Size: 115*80*75 Product Weight (Kg): 1,945 Pallet Quantity: 28

CROSS REFERENCES

OEM REFERENCES

SCANIA
1434506
488264
473868



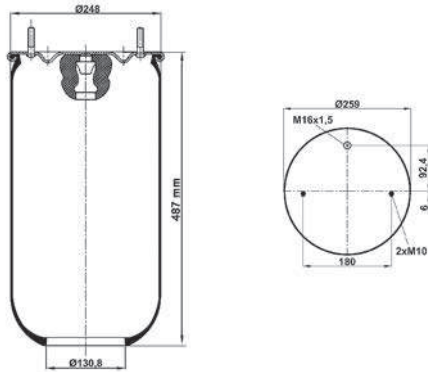
1600-39780 L

Pallet Size: 115*80*75 Product Weight (Kg): 3,495 Pallet Quantity: 28

CROSS REFERENCES

OEM REFERENCES

VOLVO
1 629 780**SA
20 554 763**SA



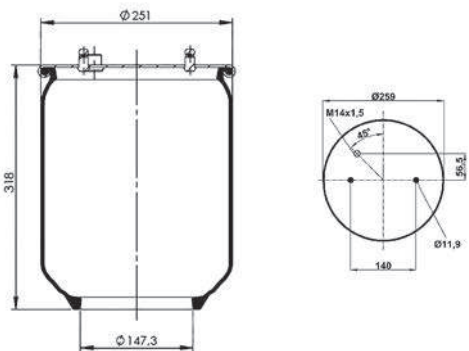
1600-40301 L

Pallet Size: 115*80*75 Product Weight (Kg): 3,4 Pallet Quantity: 36

CROSS REFERENCES

OEM REFERENCES

FIRESTONE
1T15VR-3
W01-S15-8192**SA



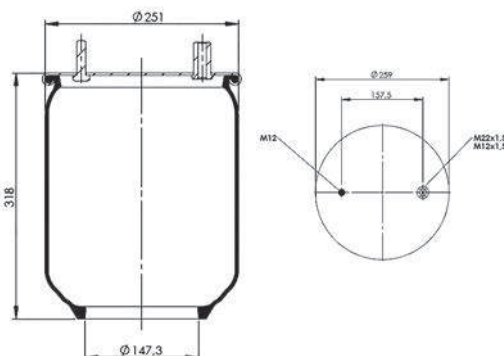
1600-40301 L5

Pallet Size: 115*80*75 Product Weight (Kg): 3,4 Pallet Quantity: 36

CROSS REFERENCES

OEM REFERENCES

SPECIAL PRODUCT



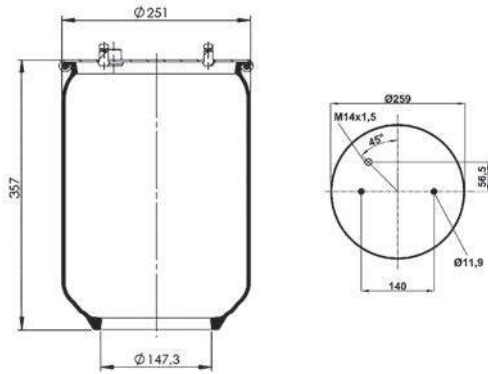
1600-40302 L

Pallet Size: 115*80*75 Product Weight (Kg): 3,53 Pallet Quantity: 28

CROSS REFERENCES

FIRESTONE 1T15VPR-3

OEM REFERENCES



1600-40302 L1

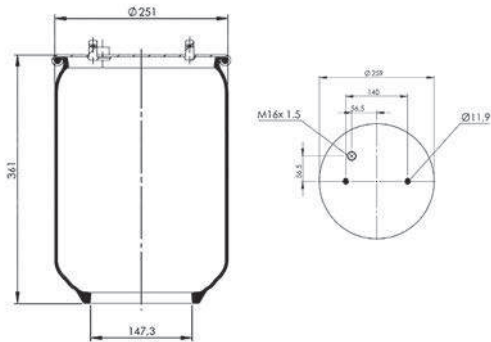
Pallet Size: 115*80*75 Product Weight (Kg): Pallet Quantity: 28

CROSS REFERENCES

GOODYEAR 1R12-813**SA

OEM REFERENCES

SCANIA 1726238



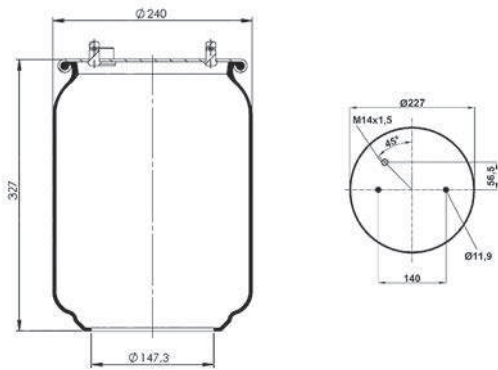
1600-40303 L

Pallet Size: 115*80*75 Product Weight (Kg): 3,05 Pallet Quantity: 28

CROSS REFERENCES

GOODYEAR 1R11-833**SA

OEM REFERENCES



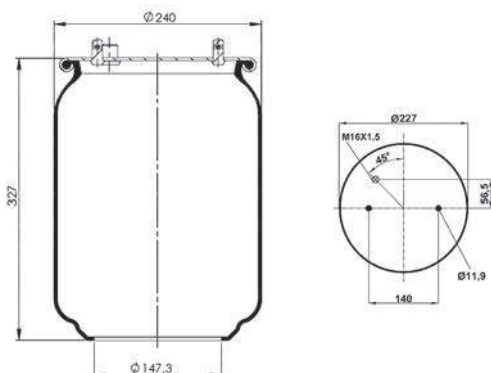
1600-40303 L1

Pallet Size: 115*80*75 Product Weight (Kg): 3,35 Pallet Quantity: 28

CROSS REFERENCES

GOODYEAR 1R11-837**SA

OEM REFERENCES



1600-40304 L

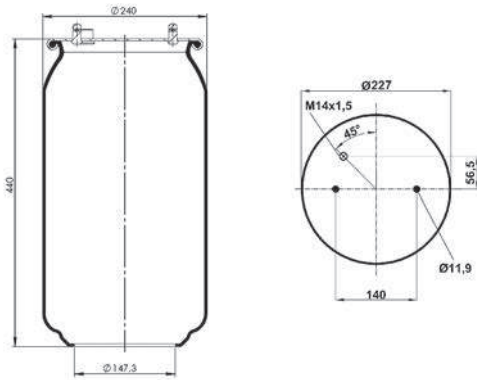
Pallet Size: 115*80*75 Product Weight (Kg): 3,35 Pallet Quantity: 28

CROSS REFERENCES

GOOD YEAR

1R11-829**SA

OEM REFERENCES



1600-40304 L1

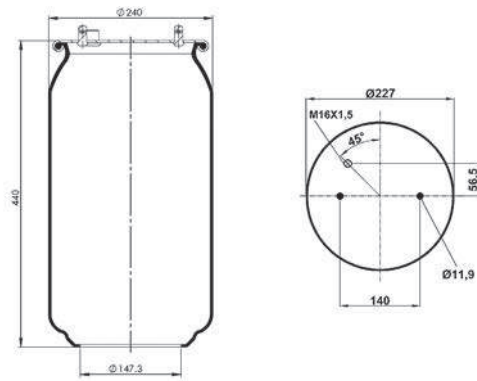
Pallet Size: 115*80*75 Product Weight (Kg): 3,35 Pallet Quantity: 28

CROSS REFERENCES

GOODYEAR

1R11-834**SA

OEM REFERENCES



1600-40305 L

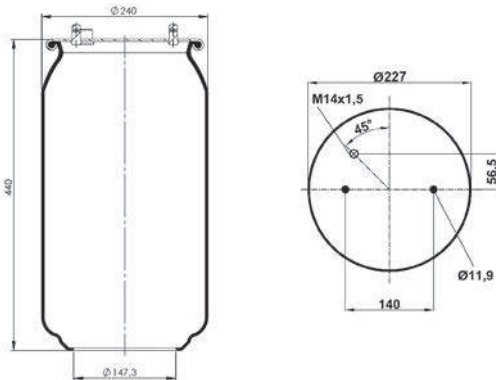
Pallet Size: 115*80*75 Product Weight (Kg): 3,45 Pallet Quantity: 28

CROSS REFERENCES

GOOD YEAR

1R11-830**SA

OEM REFERENCES



1600-40305 L1

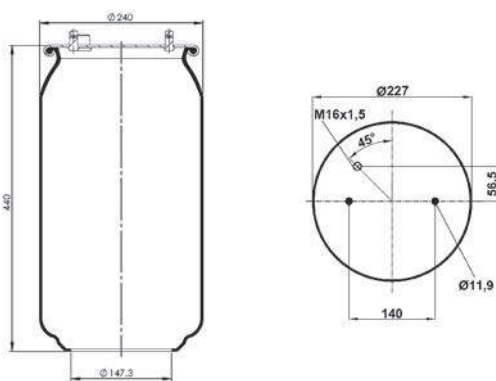
Pallet Size: 115*80*75 Product Weight (Kg): 1,95 Pallet Quantity: 28

CROSS REFERENCES

GOODYEAR

1R11-839**SA

OEM REFERENCES



1600-40306 L

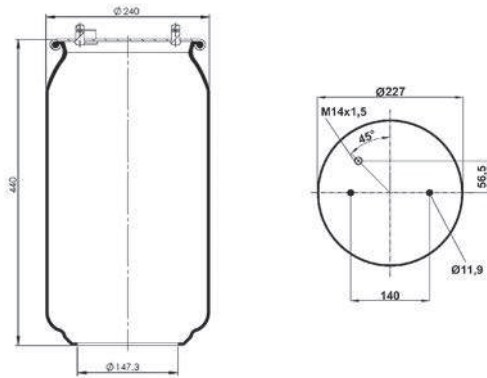
Pallet Size: 115*80*75 Product Weight (Kg): 3,49 Pallet Quantity: 28

CROSS REFERENCES

GOODYEAR

1R11-831**SA

OEM REFERENCES



1600-40307 L

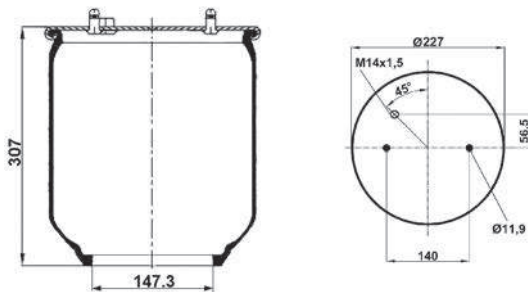
Pallet Size: 115*80*75 Product Weight (Kg): 3,25 Pallet Quantity: 28

CROSS REFERENCES

GOODYEAR

1R11-845**SA

OEM REFERENCES



1600-40307 L1

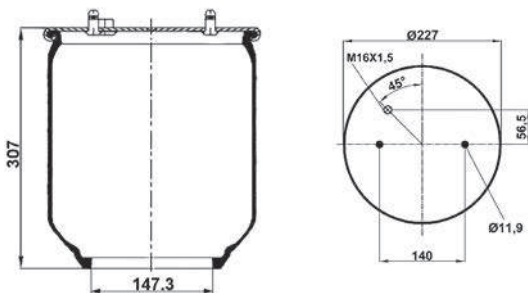
Pallet Size: 115*80*75 Product Weight (Kg): 7,45 Pallet Quantity: 28

CROSS REFERENCES

GOODYEAR

1R11-841**SA

OEM REFERENCES



1600-50631 L

Pallet Size: 115*80*75 Product Weight (Kg): Pallet Quantity: 28

CROSS REFERENCES

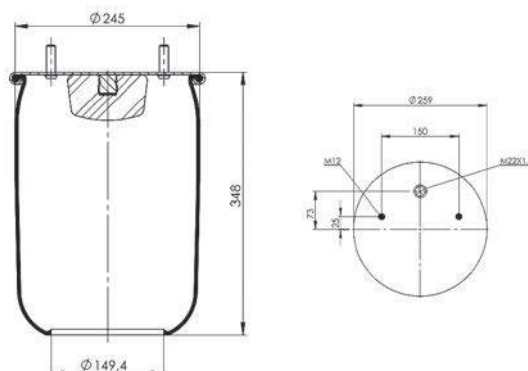
VIBRACOUSTIC

1DF25A-1**S

OEM REFERENCES

SOLARIS

1001 101 060 Urbino
1070 002 000 Urbino
P-1001 101 060 Urbino
P-1070 002 000 Urbino



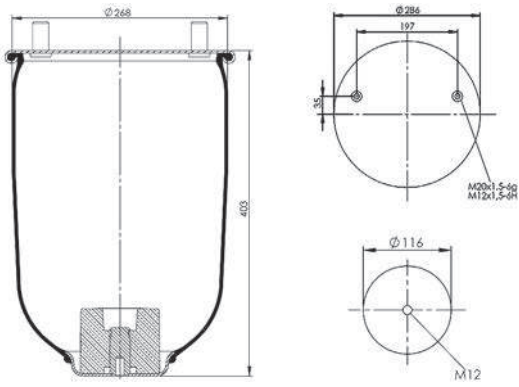
1600-88050 L

CROSS REFERENCES

OEM REFERENCES

Pallet Size: 115*80*75 Product Weight (Kg): 5,29 Pallet Quantity: 24

SPECIAL PRODUCT

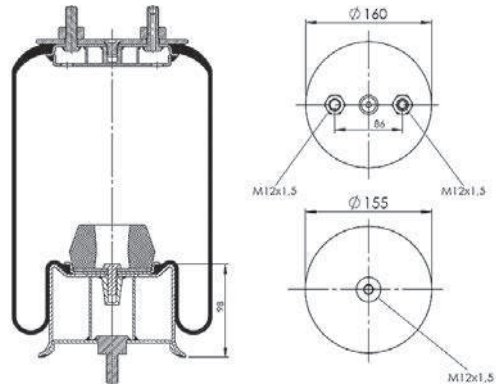


ARBENT[®]
AUTOMOTIVE



1600-112 T

Pallet Size: 115*80*75 Product Weight (Kg): 5,35 Pallet Quantity: 30



CROSS REFERENCES

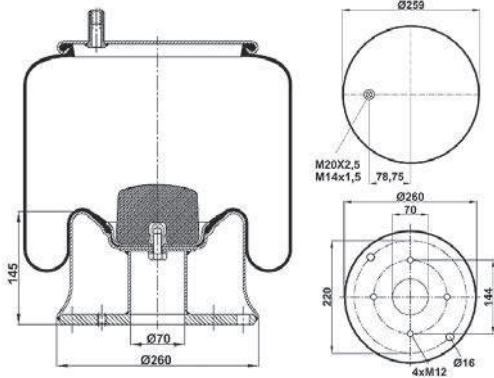
VIBRACOUSTIC V1G12

OEM REFERENCES

ISUZU MD27 38888500000

1600-113-150 T

Pallet Size: 115*80*80 Product Weight (Kg): 11,02 Pallet Quantity: 22



CROSS REFERENCES

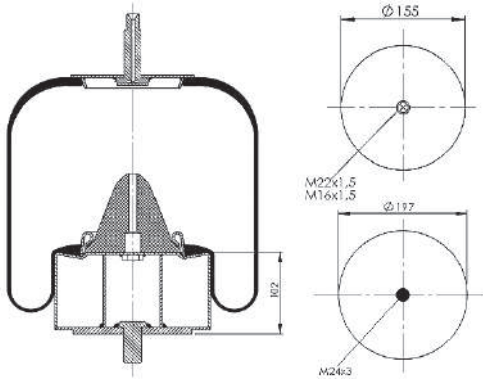
FIRESTONE W01-M58-8747
 FIRESTONE 1T17B-11
 GOODYEAR 1R13-150

OEM REFERENCES

SAMRO 2500915
 HENDRICKSON HS251087
 DISCOS A9463280401

1600-644 T1

Pallet Size: 115*80*75 Product Weight (Kg): 7,23 Pallet Quantity: 28



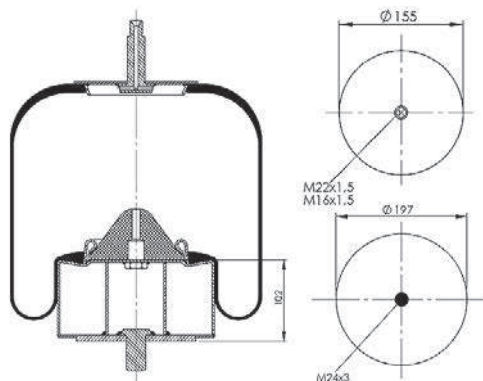
CROSS REFERENCES

OEM REFERENCES

BMC 53RS900072

1600-644 T2

Pallet Size: 115*80*75 Product Weight (Kg): 7,38 Pallet Quantity: 28



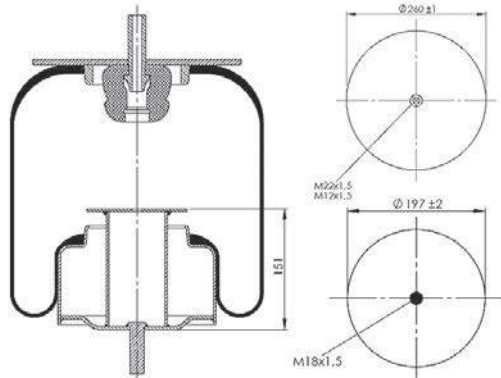
CROSS REFERENCES

OEM REFERENCES

BMC 53RS900069

1600-644 T3

Pallet Size: 115*80*75 Product Weight (Kg): Pallet Quantity: 28



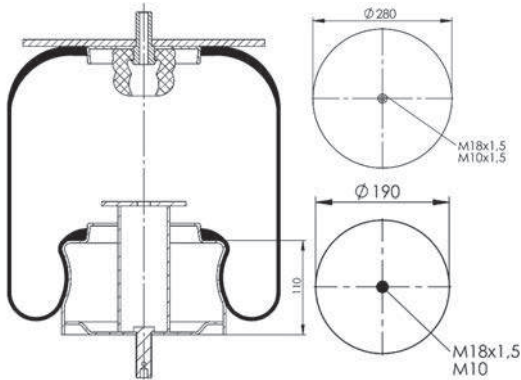
CROSS REFERENCES

OEM REFERENCES

BMC 53RS900083

1600-644 T5

Pallet Size: 115*80*75 Product Weight (Kg): 9,67 Pallet Quantity: 28



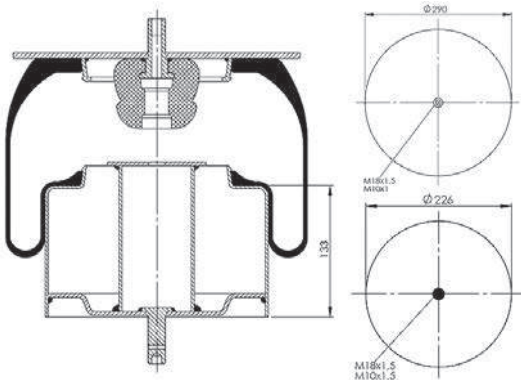
CROSS REFERENCES

OEM REFERENCES

CONTITECH 644 N P04 AUTOSAN 1029-900-970

1600-661 T

Pallet Size: 115*80*91 Product Weight (Kg): 11,14 Pallet Quantity: 24



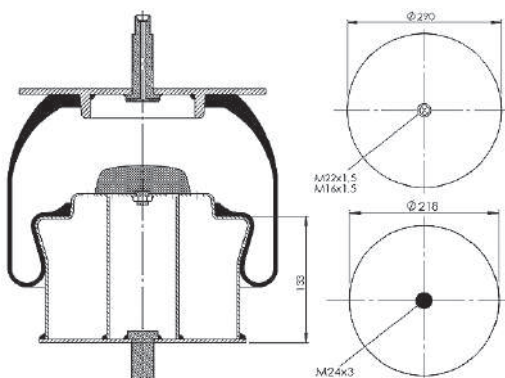
CROSS REFERENCES

OEM REFERENCES

CONTITECH 661 N P01 IRIS BUS 5010073846
AYATS 31001569

1600-661 T1

Pallet Size: 115*80*91 Product Weight (Kg): 9,00 Pallet Quantity: 24



CROSS REFERENCES

OEM REFERENCES

BMC 53RS900142

1600-661 T2

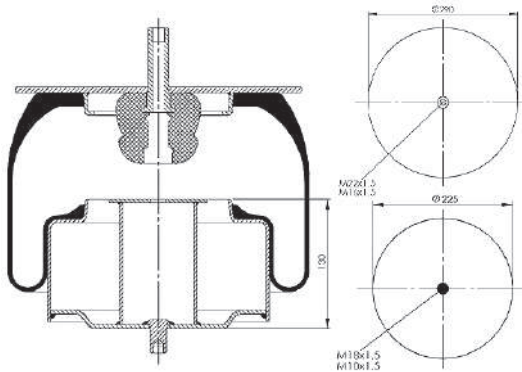
Pallet Size: 115*80*91 Product Weight (Kg): 10 Pallet Quantity: 24

CROSS REFERENCES

OEM REFERENCES

BMC

53RS900056



1600-661 T3

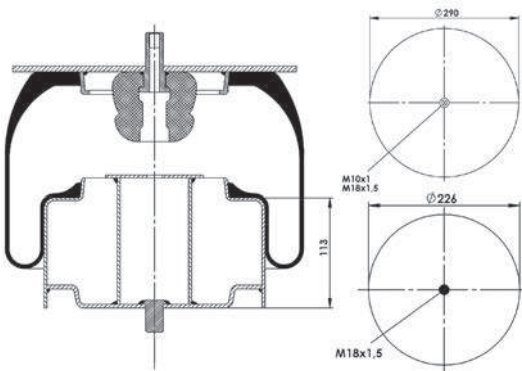
Pallet Size: 115*80*91 Product Weight (Kg): 10,53 Pallet Quantity: 24

CROSS REFERENCES

OEM REFERENCES

CONTITECH

661 N P02



1600-661 T5

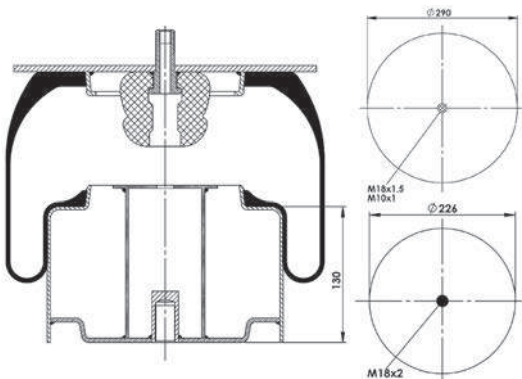
Pallet Size: 115*80*91 Product Weight (Kg): Pallet Quantity: 24

CROSS REFERENCES

OEM REFERENCES

CONTITECH

661 N P05



1600-661 T6

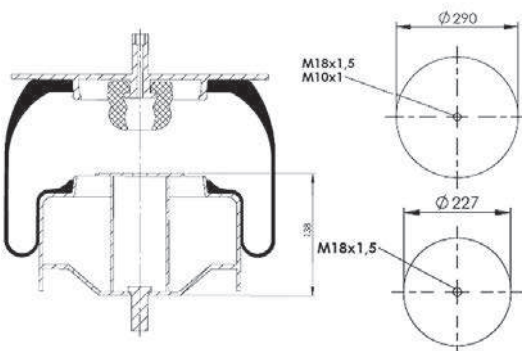
Pallet Size: 115*80*91 Product Weight (Kg): Pallet Quantity: 24

CROSS REFERENCES

OEM REFERENCES

OTOKAR

16N00-03650-AB



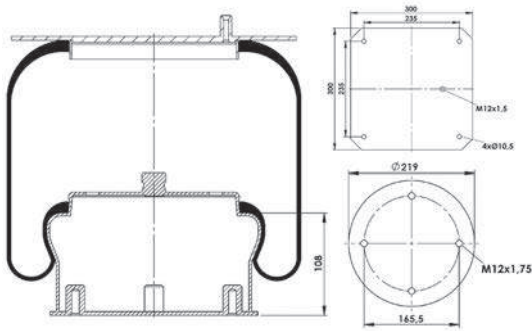
1600-701 T

Pallet Size: 115*80*75 Product Weight (Kg): Pallet Quantity: 24

CROSS REFERENCES

CONTITECH 701 N**CA

OEM REFERENCES



1600-724 T

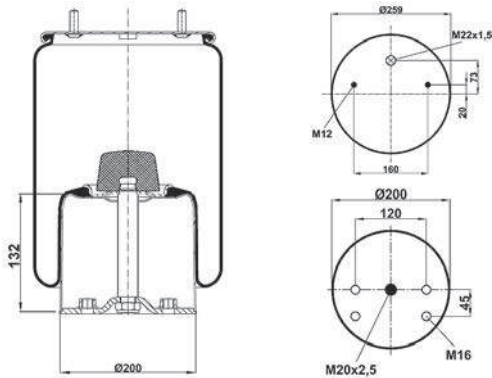
Pallet Size: 115*80*75 Product Weight (Kg): 8,99 Pallet Quantity: 28

CROSS REFERENCES

CONTITECH 724 N P02

OEM REFERENCES

GIGANT 166225
166292



1600-725 T2

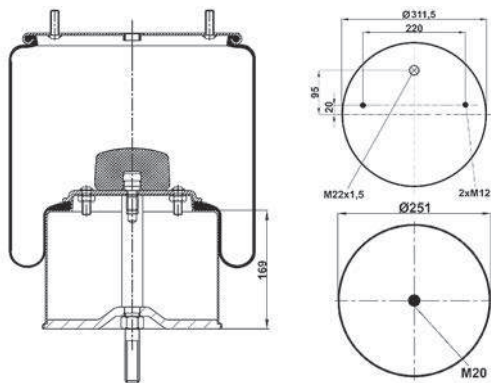
Pallet Size: 115*80*91 Product Weight (Kg): 16,91 Pallet Quantity: 22

CROSS REFERENCES

FIRESTONE W01-M58-8969
CONTITECH 725 N P02
FIRESTONE 1T66E-10.8
GOODYEAR 1R14-747

OEM REFERENCES

GIGANT 166217



1600-725 T3

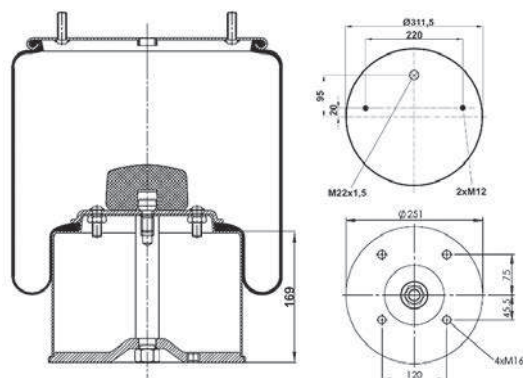
Pallet Size: 115*80*91 Product Weight (Kg): 16,80 Pallet Quantity: 22

CROSS REFERENCES

FIRESTONE W01-M58-8610
CONTITECH 725 N P03
FIRESTONE 1T66D-10.8
GOODYEAR 1R14-756

OEM REFERENCES

GIGANT 166252

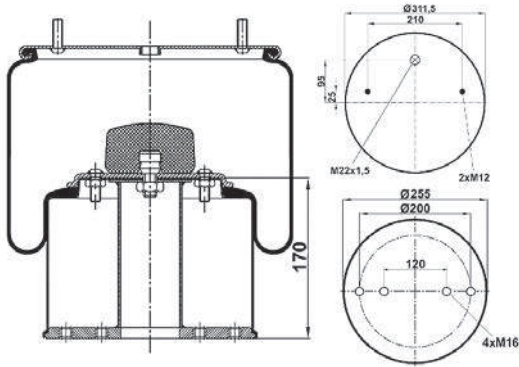


1600-725 T5

Pallet Size: 115*80*91 Product Weight (Kg): 16,56 Pallet Quantity: 22

CROSS REFERENCES

OEM REFERENCES

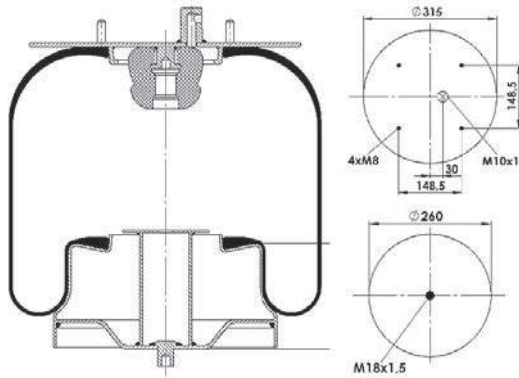


1600-768 T

Pallet Size: 115*80*91 Product Weight (Kg): 9,61 Pallet Quantity: 24

CROSS REFERENCES

OEM REFERENCES



CONTITECH

768 MB

RENAULT
IRIS BUS

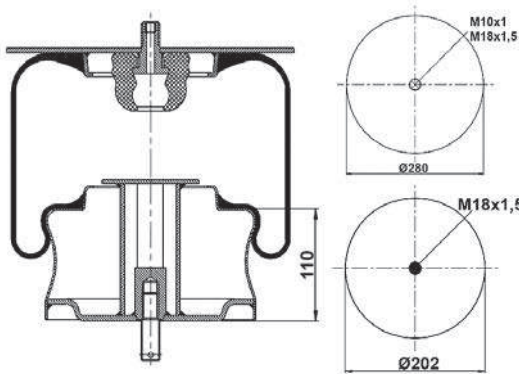
5000869135
5000786516

1600-769 T

Pallet Size: 115*80*91 Product Weight (Kg): 5,75 Pallet Quantity: 28

CROSS REFERENCES

OEM REFERENCES



CONTITECH

769 MB

RENAULT V.I
IRIS BUS (RENAULT V.I.)

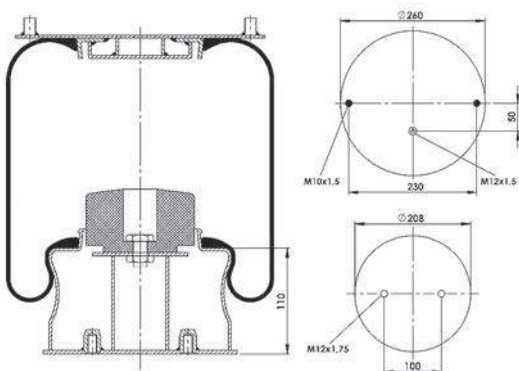
5000805999
5000786640

1600-769 T2

Pallet Size: 115*80*91 Product Weight (Kg): 8,64 Pallet Quantity: 28

CROSS REFERENCES

OEM REFERENCES

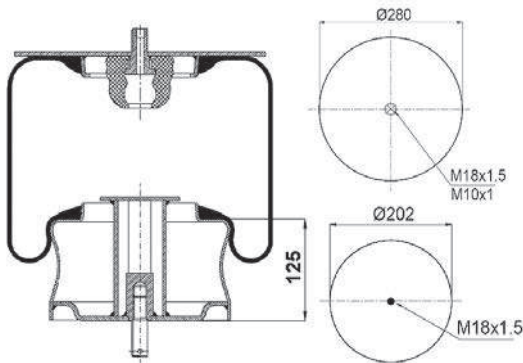


VIBRACOUSTIC

V1E18-05

1600-782 T

Pallet Size: 115*80*91 Product Weight (Kg): 7,10 Pallet Quantity: 24



CROSS REFERENCES

VIBRACOUSTIC
CONTITECH

V1E21-23
782 MB-3

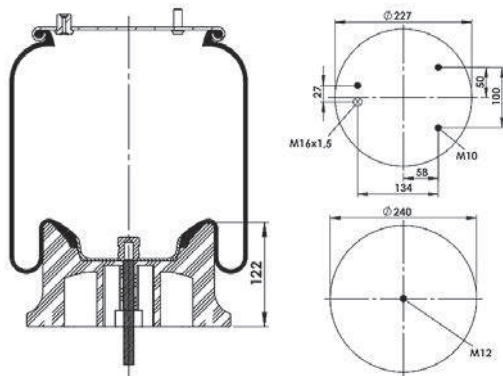
OEM REFERENCES

ZF SACHS
TEMISA
JONCKHEERE
IRIS BUS

0501 210 851
2686-082-000Y
26.1602033.00
5010190888

1600-792 PTA

Pallet Size: 115*80*80 Product Weight (Kg): 5,38 Pallet Quantity: 24



CROSS REFERENCES

FIRESTONE
CONTITECH

W01-M58-8678
792 N P01

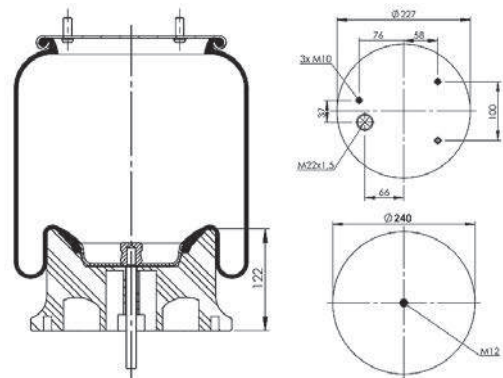
OEM REFERENCES

DAF

1 448 543
1 698 436

1600-792 PT2

Pallet Size: 115*80*80 Product Weight (Kg): 5,77 Pallet Quantity: 24



CROSS REFERENCES

CONTITECH

792 N P02

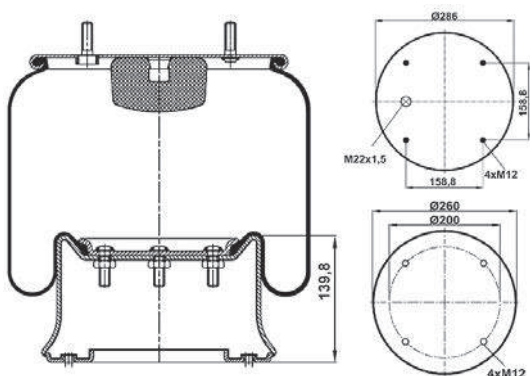
OEM REFERENCES

DAF

1 793 526

1600-810 T

Pallet Size: 115*80*91 Product Weight (Kg): 10,99 Pallet Quantity: 24



CROSS REFERENCES

FIRESTONE
VIBRACOUSTIC
CONTITECH
FIRESTONE
GOODYEAR
GOODYEAR

W01-M58-6345
V1D28A-2
810 MB
1T19L-7
1R14-716
1R14-059

OEM REFERENCES

WEWELER

VOLVO
TRAILOR
T.E.C
SAMRO
SAF

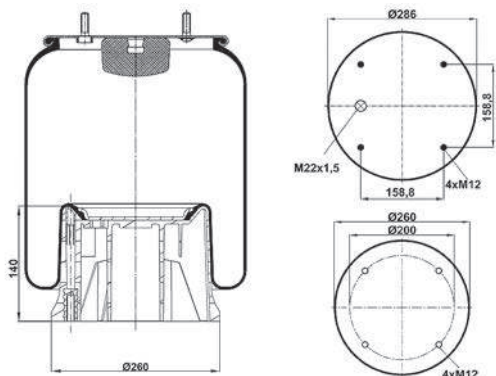
RENAULT V.I
R.O.R/MERITOR
HENDRICKSON

GRANNING
BERTOJA
ACERBI

US00622 / US07337
US87413
1080707
6504646G
506243/01
2500008
2.228.0002.00
2.228.2102.00
2.228.2202.00
2.228.2402.00
2.228.2602.00
5000452939
21208082
785168
B2065
Y506201
Y506243
15635
45402002
21215632

1600-810 PT

Pallet Size: 115*80*91 Product Weight (Kg): 8,47 Pallet Quantity: 24



CROSS REFERENCES

FIRESTONE
CONTITECH
FIRESTONE
GOODYEAR

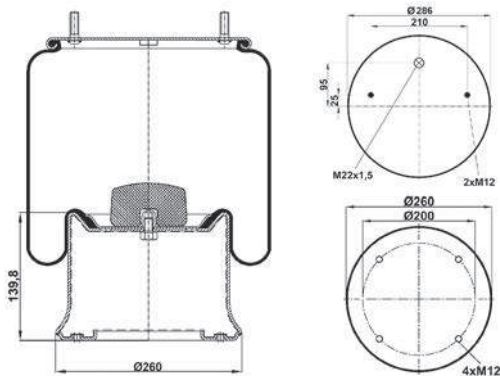
W01-M58-6345**CPL
810 MB**CPL
1T19L-7
1R14-716**CPL

OEM REFERENCES

WEWELER	US00622 / US07337
	US87413
	1080707
VOLVO	6504646G
TRAILOR	506243/01
T.E.C	2500008
SAMRO	2.228.0002.00
SAF	2.228.2102.00
	2.228.2202.00
	2.228.2402.00
	2.228.2602.00
RENAULT V.I	5000452939
R.O.R/MERITOR	21208082
HENDRICKSON	785168
	B2065
	Y506201
	Y506243
GRANNING	15635
BERTOJA	45402002
ACERBI	21215632

1600-810 T1

Pallet Size: 115*80*91 Product Weight (Kg): 11,20 Pallet Quantity: 24



CROSS REFERENCES

FIRESTONE
GOODYEAR

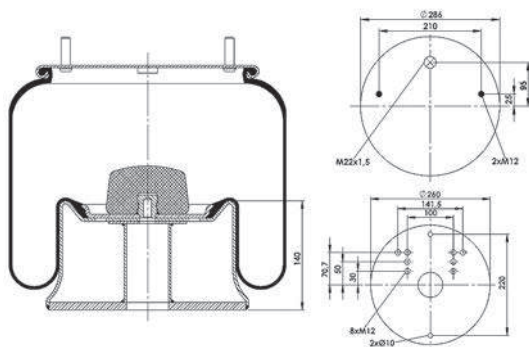
W01-M58-6225
1R14-783

OEM REFERENCES

WEWELER	US 07337.ST2
SCHMITZ	16010

1600-810 T2

Pallet Size: 115*80*80 Product Weight (Kg): 13,60 Pallet Quantity: 24



CROSS REFERENCES

VIBRACOUSTIC
GOODYEAR

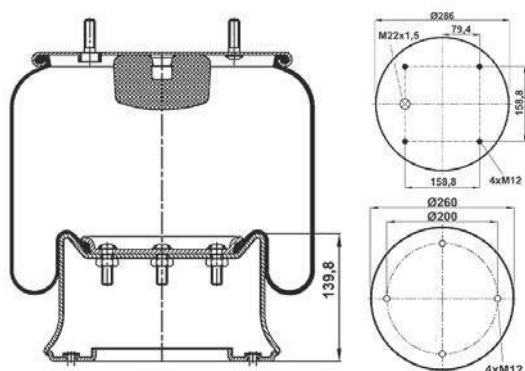
V1DK28A-13
1R14-825

OEM REFERENCES

WEWELER	US 07337R
DAIMLER TAS	A 946 328 19 01

1600-810 T3

Pallet Size: 115*80*91 Product Weight (Kg): 10,99 Pallet Quantity: 24



CROSS REFERENCES

OEM REFERENCES

DAF	1384273
BPW	0.41.04.005.0

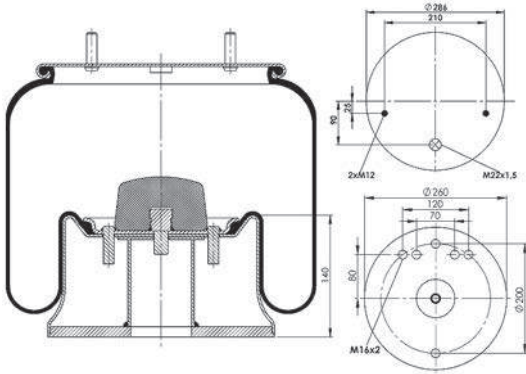
1600-810 T4

Pallet Size: 115*80*91 Product Weight (Kg): 14,82 Pallet Quantity: 24

CROSS REFERENCES

FIRESTONE 1T19L-7

OEM REFERENCES



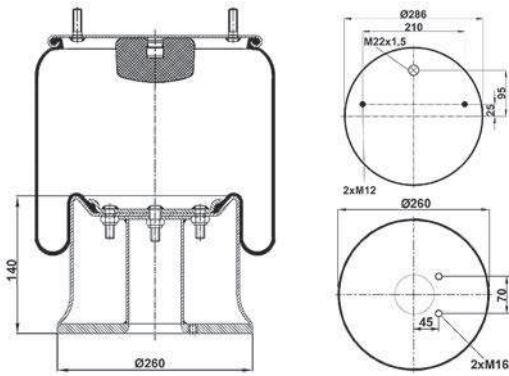
1600-810 T10

Pallet Size: 115*80*91 Product Weight (Kg): 14,33 Pallet Quantity: 24

CROSS REFERENCES

FIRESTONE 1T19L-7

OEM REFERENCES



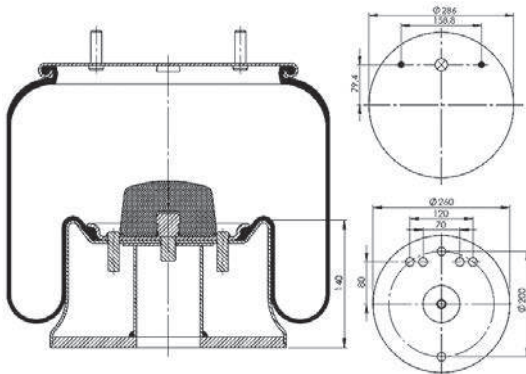
1600-810 T14

Pallet Size: 115*80*91 Product Weight (Kg): 14,43 Pallet Quantity: 24

CROSS REFERENCES

FIRESTONE 1T19L-7

OEM REFERENCES



1600-810 T15

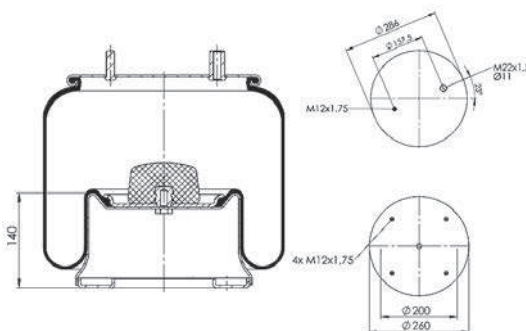
Pallet Size: 115*80*91 Product Weight (Kg): 14,43 Pallet Quantity: 24

CROSS REFERENCES

FIRESTONE W01-M58-7335
 CONTITECH 810 MB 02
 GOODYEAR 1R14-831
 GOODYEAR 1R14-082

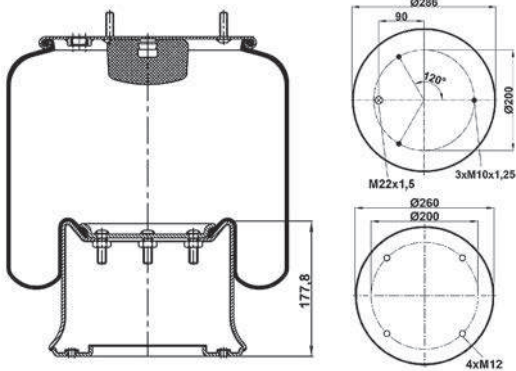
OEM REFERENCES

MERITOR 17204516
 21208327



1600-811 T

Pallet Size: 115*80*91 Product Weight (Kg): 12,00 Pallet Quantity: 24



CROSS REFERENCES

CONTITECH
GOODYEAR

811 MB
1R14-718

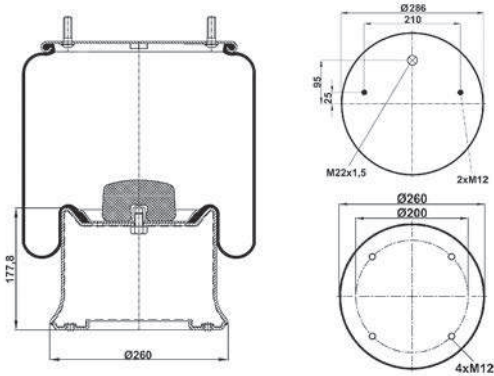
OEM REFERENCES

RENAULT V.I
DAF

5000745918
1384274

1600-811 T1

Pallet Size: 115*80*91 Product Weight (Kg): 11,76 Pallet Quantity: 24



CROSS REFERENCES

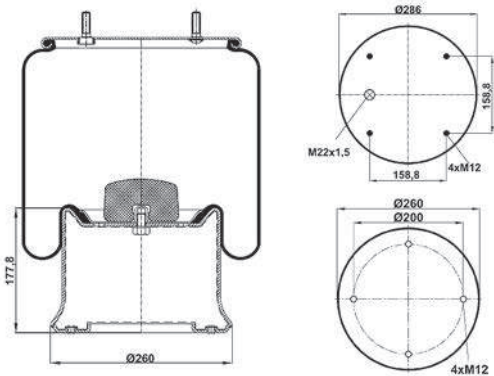
FIRESTONE

1T19L-11

OEM REFERENCES

1600-811 T2

Pallet Size: 115*80*91 Product Weight (Kg): 11,26 Pallet Quantity: 24



CROSS REFERENCES

FIRESTONE

1T19L-11

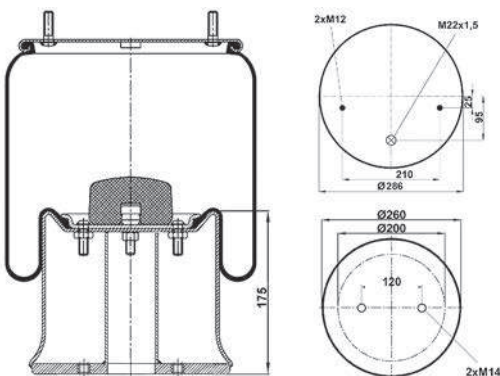
OEM REFERENCES

BATTAGLINO

22111400

1600-811 T6

Pallet Size: 115*80*91 Product Weight (Kg): 11,85 Pallet Quantity: 24



CROSS REFERENCES

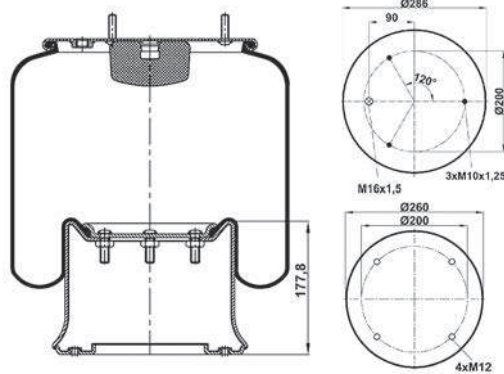
FIRESTONE

1T19L-11

OEM REFERENCES

1600-811 T16

Pallet Size: 115*80*91 Product Weight (Kg): 11,32 Pallet Quantity: 24



CROSS REFERENCES

FIRESTONE
CONTITECH
FIRESTONE
GOODYEAR

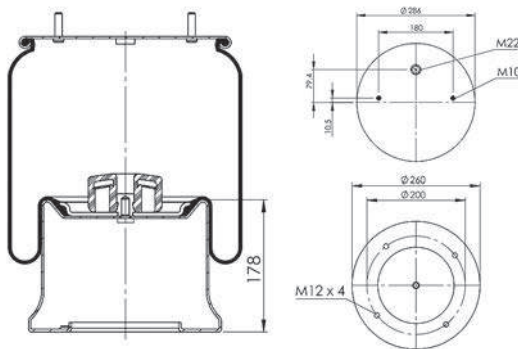
W01-M58-6334
811 M16K1
1T19L-11
1R14-719

OEM REFERENCES

DAF 0 526 823

1600-811 T17

Pallet Size: 115*80*91 Product Weight (Kg): 11,58 Pallet Quantity: 24



CROSS REFERENCES

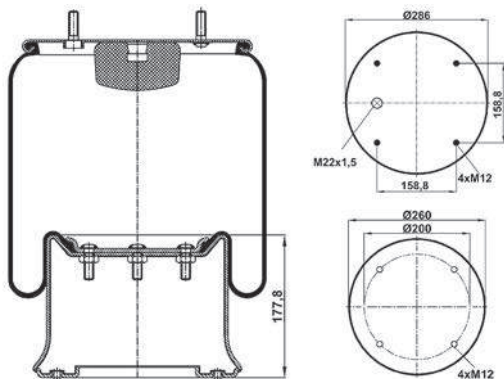
FIRESTONE

1T19L-11

OEM REFERENCES

1600-813 T

Pallet Size: 115*80*91 Product Weight (Kg): 11,84 Pallet Quantity: 24



CROSS REFERENCES

FIRESTONE
FIRESTONE
FIRESTONE
VIBRACOUSTIC
CONTITECH
FIRESTONE
GOODYEAR
GOODYEAR

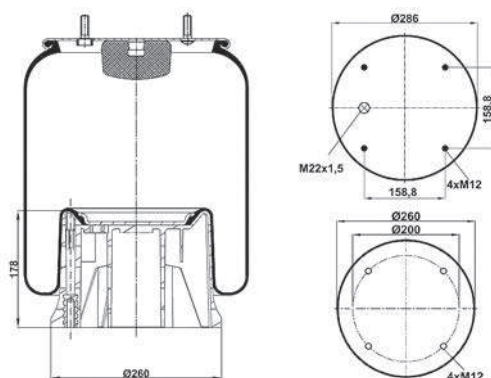
W01-M58-6364
W01-M58-6339
W01-M58-7345
V1D28B-2
813MB
1T19L-11
1R14-705
1R14-061

OEM REFERENCES

WEWELER US07345 / US87408
VIBERTI 644285 / 128147122
TROUILLET ST225-675
TRAILOR 65023482 / 0036158E
65022347Y
TITAN 91687700000
TERBERG 21071483
SAMRO 2500009
SAF 2.229.0003.00
2.229.2103.00
2.229.2403.00
2.229.2603.00
8403/102
5000790692 / 5010130925
RENAULT V.I
PEGASO 175005
NEWAY 21215633
MAZ 54327
543268-02
544008
544020-030

1600-813 PT

Pallet Size: 115*80*91 Product Weight (Kg): 9,80 Pallet Quantity: 24



CROSS REFERENCES

FIRESTONE
CONTITECH
FIRESTONE

W01-M58-6364**CPL
813 MB**CPL
1T19L-11

OEM REFERENCES

WEWELER US07345 / US87408
VIBERTI 644285 / 128147122
TRAILOR 65023482 / 0036158E
65022347Y
TITAN 91687700000
TERBERG 21071483
SAMRO 2500009
SAF 2.229.0003.00
2.229.2103.00
2.229.2403.00
2.229.2603.00
8403/102
5000790692 / 5010130925
RENAULT V.I
PEGASO 175005
NEWAY 21215633
HENDRICKSON 785170
505859/01
B2063
G505859
Y505859/01

1600-813 T1

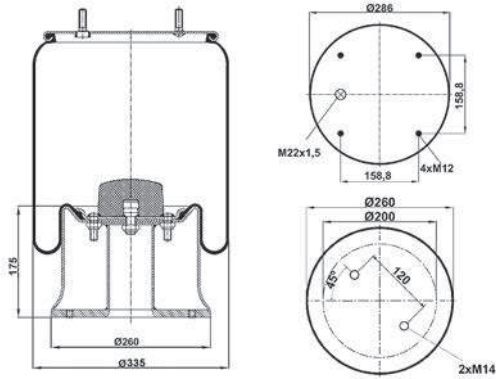
Pallet Size: 115*80*91 Product Weight (Kg): 12,10 Pallet Quantity: 24

CROSS REFERENCES

FIRESTONE

1T19L-11

OEM REFERENCES



1600-813 T6

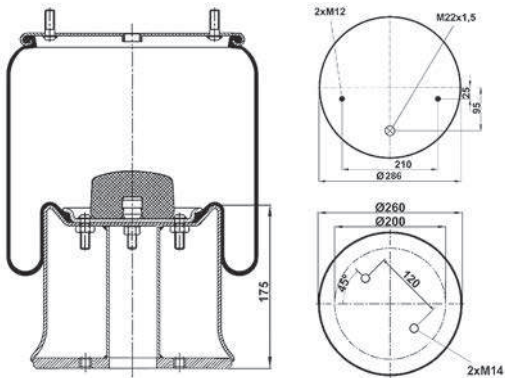
Pallet Size: 115*80*91 Product Weight (Kg): 16,30 Pallet Quantity: 24

CROSS REFERENCES

FIRESTONE

1T19L-11

OEM REFERENCES



1600-813 T8

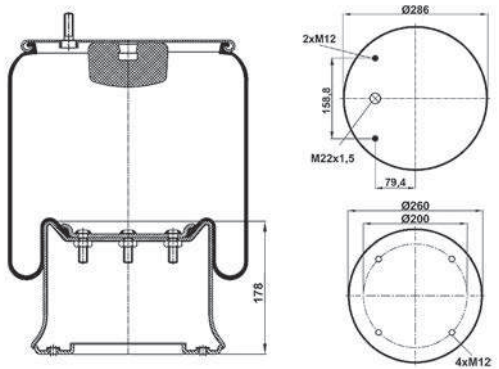
Pallet Size: 115*80*91 Product Weight (Kg): 16,30 Pallet Quantity: 24

CROSS REFERENCES

FIRESTONE
VIBRACOUSTIC
FIRESTONE
GOODYEAR

W01-M58-7502
V1D28B-4
1T19L-11
1R14-709

OEM REFERENCES



1600-813 PT8

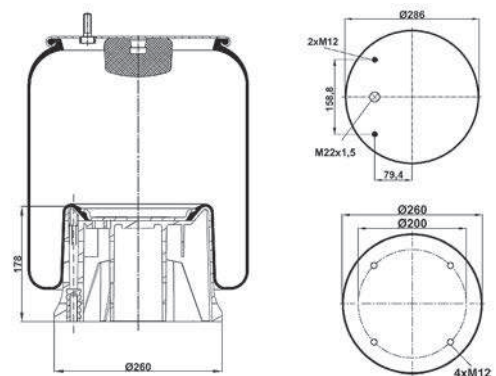
Pallet Size: 115*80*91 Product Weight (Kg): 8,32 Pallet Quantity: 24

CROSS REFERENCES

FIRESTONE
VIBRACOUSTIC
FIRESTONE
GOODYEAR

W01-M58-7502**CPL
V1D28B-4**CPL
1T19L-11
1R14-709**CPL

OEM REFERENCES



1600-813 T10

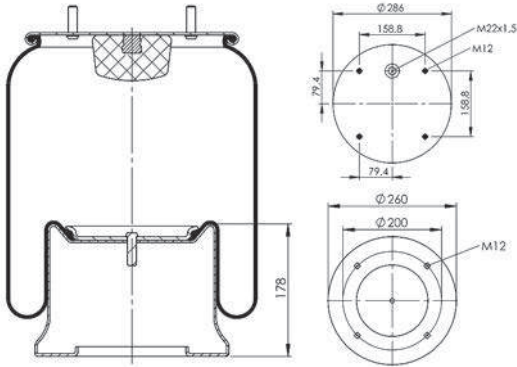
Pallet Size: 115*80*91 Product Weight (Kg): 11,77 Pallet Quantity: 24

CROSS REFERENCES

FIRESTONE
GOODYEAR

W0A-095-0320
8550

OEM REFERENCES



1600-817 T

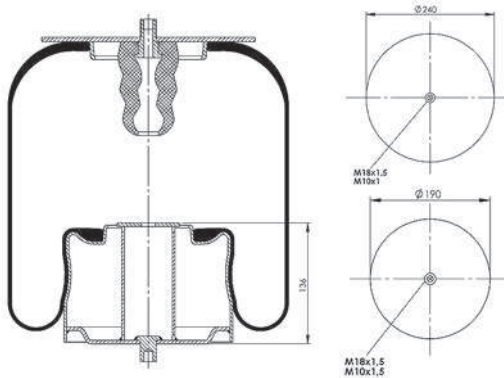
Pallet Size: 115*80*91 Product Weight (Kg): Pallet Quantity: 24

CROSS REFERENCES

CONTITECH

817 MB

OEM REFERENCES



1600-819 T

Pallet Size: 115*80*91 Product Weight (Kg): 3,20 Pallet Quantity: 28

CROSS REFERENCES

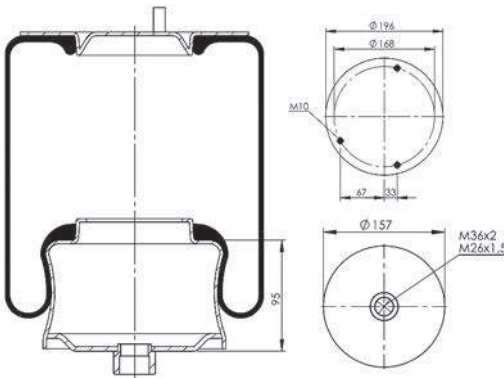
CONTITECH

819 N P01

OEM REFERENCES

MERCEDES

A 667 328 00 01



1600-819 T1

Pallet Size: 115*80*91 Product Weight (Kg): Pallet Quantity: 28

CROSS REFERENCES

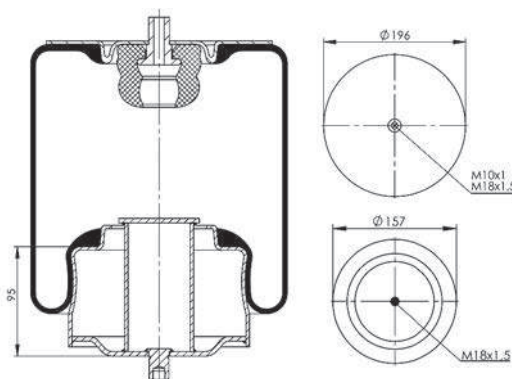
CONTITECH

819 MB

OEM REFERENCES

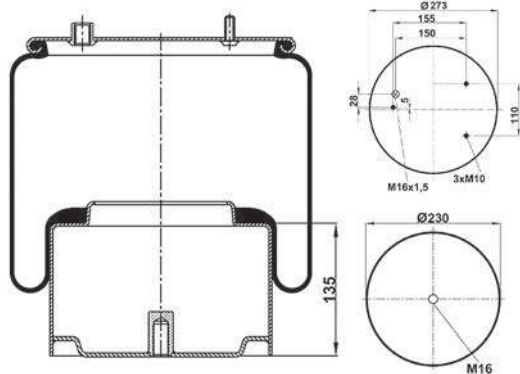
TEMSA
MERCEDES

TM260133Y
A 667 328 01 01



1600-836 T1

Pallet Size: 115*80*75 Product Weight (Kg): 8,40 Pallet Quantity: 28



CROSS REFERENCES

FIRESTONE
VIBRACOUSTIC
CONTITECH
FIRESTONE
GOODYEAR

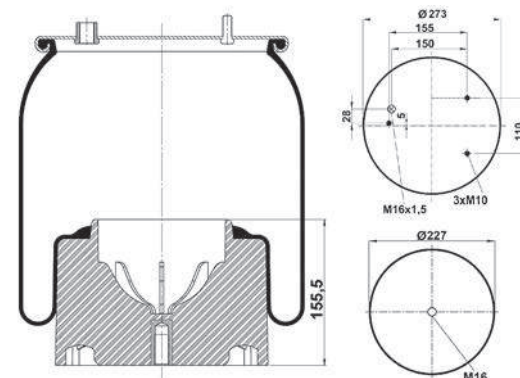
W01-M58-8722
V1DF25-11
836 MK1
1T17AR-4.5
1R12-712

OEM REFERENCES

DAF 388165
1697678

1600-836 PT1

Pallet Size: 115*80*75 Product Weight (Kg): 6,43 Pallet Quantity: 28



CROSS REFERENCES

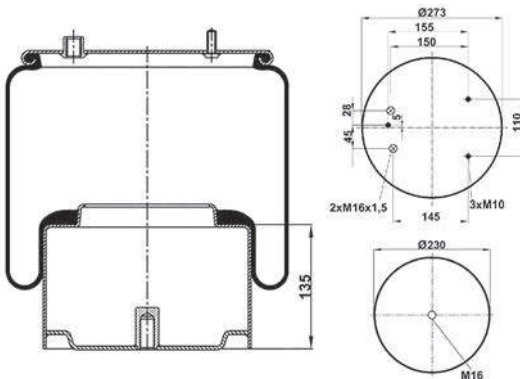
CONTITECH

836 MK1**CPL

OEM REFERENCES

1600-836 T2

Pallet Size: 115*80*75 Product Weight (Kg): 8,45 Pallet Quantity: 28



CROSS REFERENCES

FIRESTONE
CONTITECH
FIRESTONE
GOODYEAR

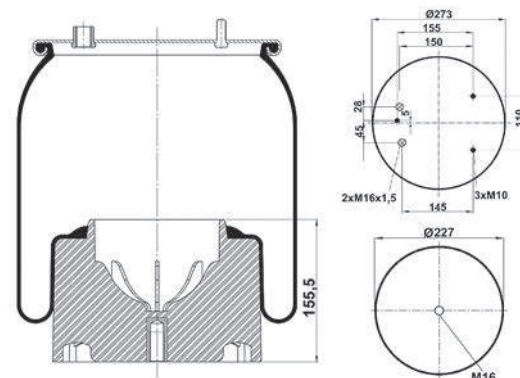
W01-M58-8721
836 M2K1
1T17AR-4.5
1R12-711

OEM REFERENCES

DAF 388167

1600-836 PT2

Pallet Size: 115*80*75 Product Weight (Kg): 6,56 Pallet Quantity: 28



CROSS REFERENCES

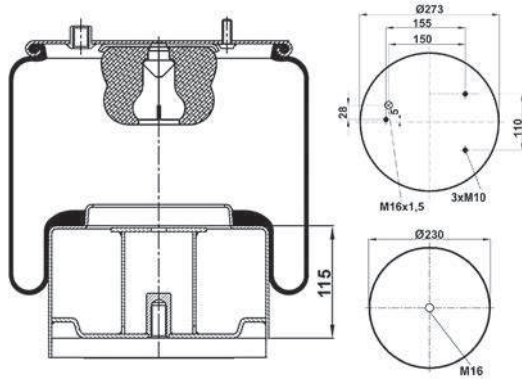
CONTITECH

836 M2K1**CPL

OEM REFERENCES

1600-836 T4

Pallet Size: 115*80*80 Product Weight (Kg): 8,35 Pallet Quantity: 28


CROSS REFERENCES

 FIRESTONE
 VIBRACOUSTIC
 CONTITECH
 FIRESTONE

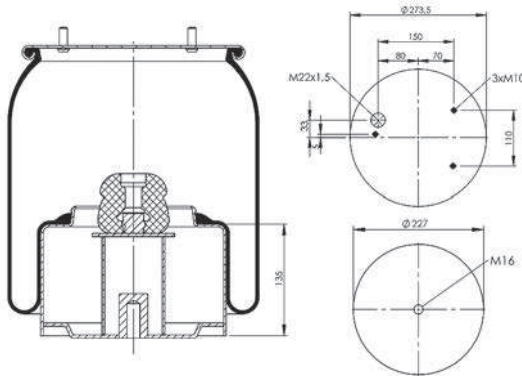
 W01-M58-8705
 V1DF25-14
 836 MBK4
 1T17AR.4.5

OEM REFERENCES

DAF 377498

1600-836 T5

Pallet Size: 115*80*80 Product Weight (Kg): 9,63 Pallet Quantity: 28


CROSS REFERENCES

CONTITECH

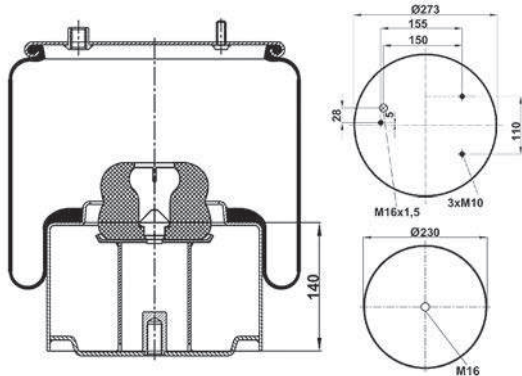
836 N P05

OEM REFERENCES

VDL BUS 1153933

1600-836 T6

Pallet Size: 115*80*80 Product Weight (Kg): 9,54 Pallet Quantity: 28


CROSS REFERENCES

 FIRESTONE
 CONTITECH
 FIRESTONE
 GOODYEAR

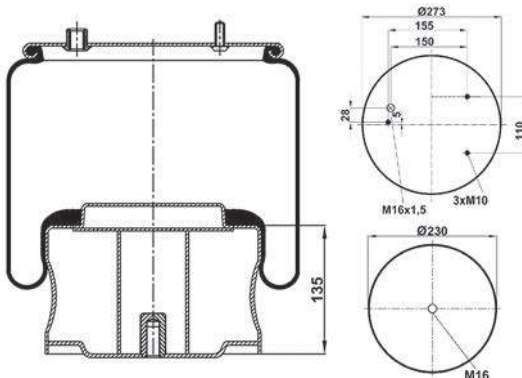
 W01-M58-8701
 836 MBK6
 1T17AR-4.5
 1R12-768

OEM REFERENCES

DAF 526651

1600-836 T7

Pallet Size: 115*80*75 Product Weight (Kg): 8,88 Pallet Quantity: 28


CROSS REFERENCES

 FIRESTONE
 VIBRACOUSTIC
 CONTITECH
 FIRESTONE
 GOODYEAR

 W01 M58 8715
 V1DF25-12
 836 MK 7
 1T17AR-4.5
 1R12-723

OEM REFERENCES

DAF 297721

1600-836 T8

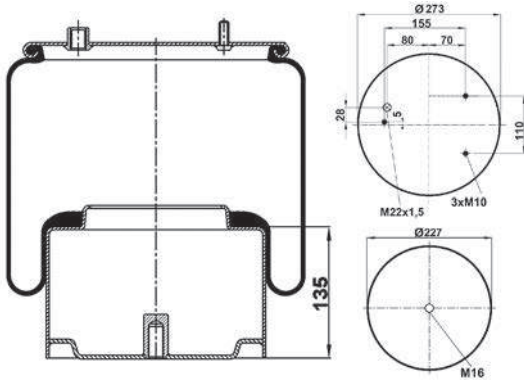
Pallet Size: 115*80*75 Product Weight (Kg): 8,20 Pallet Quantity: 28

CROSS REFERENCES

CONTITECH 836 N P06

OEM REFERENCES

VDL BUS 1153934



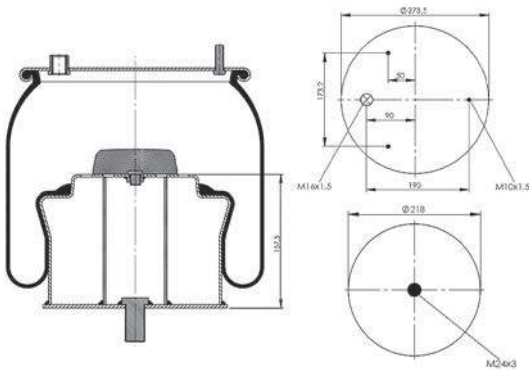
1600-836 T10

Pallet Size: 115*80*75 Product Weight (Kg): 9,58 Pallet Quantity: 28

CROSS REFERENCES

OEM REFERENCES

BMC 53RS900061



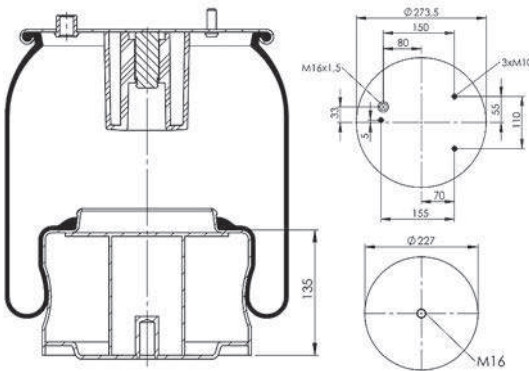
1600-836 T11

Pallet Size: 115*80*75 Product Weight (Kg): Pallet Quantity: 28

CROSS REFERENCES

OEM REFERENCES

SPECIAL PRODUCT



1600-836 T12

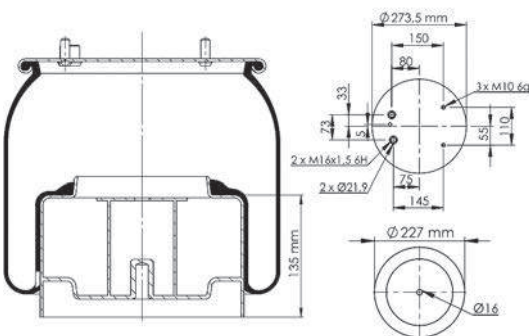
Pallet Size: 115*80*75 Product Weight (Kg): 9,07 Pallet Quantity: 28

CROSS REFERENCES

FIRESTONE W01 M58 8703
CONTITECH 836 M2 K8

OEM REFERENCES

DAF 83656 / 1 697 687



1600-836 T14

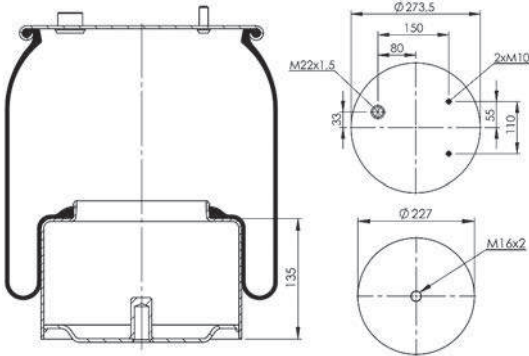
Pallet Size: 115*80*75 Product Weight (Kg): 8,41 Pallet Quantity: 28

CROSS REFERENCES

CONTITECH 836 N P10

OEM REFERENCES

DAF 1 794 420



1600-836 T15

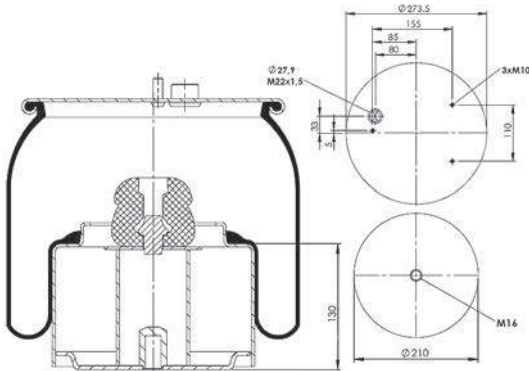
Pallet Size: 115*80*75 Product Weight (Kg): Pallet Quantity: 28

CROSS REFERENCES

CONTITECH 836 N P14

OEM REFERENCES

VDL BUS 4501537



1600-836 T16

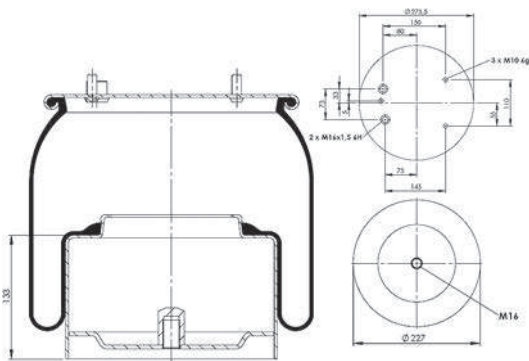
Pallet Size: 115*80*75 Product Weight (Kg): Pallet Quantity: 28

CROSS REFERENCES

CONTITECH 836 N P09

OEM REFERENCES

DAF 1697683

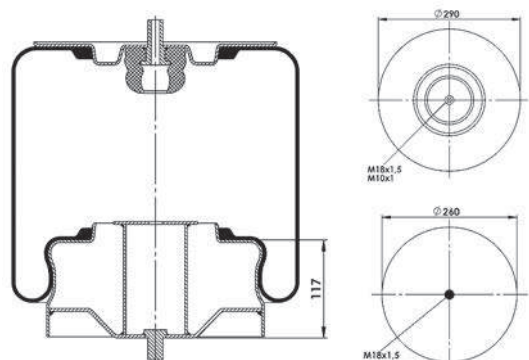


1600-876 T

Pallet Size: 115*80*91 Product Weight (Kg): Pallet Quantity: 24

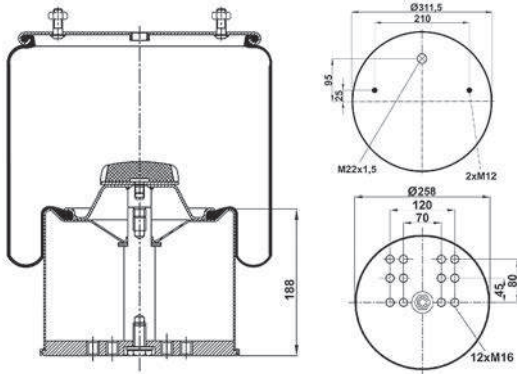
CROSS REFERENCES

RENAULT V.I 5000640399
5000738516
5010073847



1600-881 T

Pallet Size: 115*80*75 Product Weight (Kg): 16,96 Pallet Quantity: 20



CROSS REFERENCES

FIRESTONE
CONTITECH

W01-M58-8966
881 MB**CA

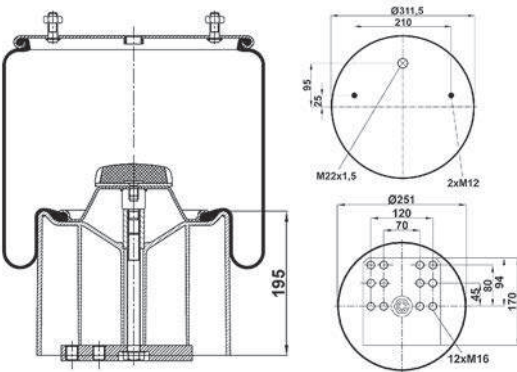
OEM REFERENCES

BPW

05.429.40.14.1
BPW36
05.429.40.61.1

1600-881 PT

Pallet Size: 115*80*80 Product Weight (Kg): 13,57 Pallet Quantity: 20



CROSS REFERENCES

FIRESTONE
CONTITECH

W01 M58 8667
(Opposite Position)
881 MB**CPL

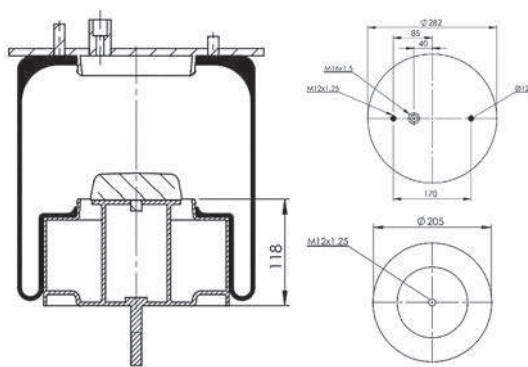
OEM REFERENCES

BPW

05.429.40.14.1
BPW36
05.429.43.51.0

1600-884 T

Pallet Size: 115*80*80 Product Weight (Kg): Pallet Quantity: 24



CROSS REFERENCES

VIBRACOUSTIC
CONTITECH

V1F20A-1
884 N P04

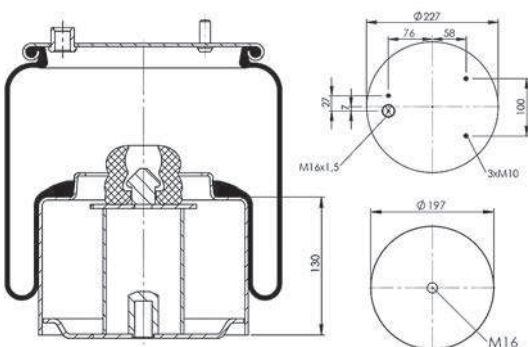
OEM REFERENCES

RENAULT

5010488756
5.010.294.385 .B

1600-887 T1

Pallet Size: 115*80*75 Product Weight (Kg): 7,73 Pallet Quantity: 30



CROSS REFERENCES

VIBRACOUSTIC
CONTITECH

V1 DF 18-3
887 MBK6

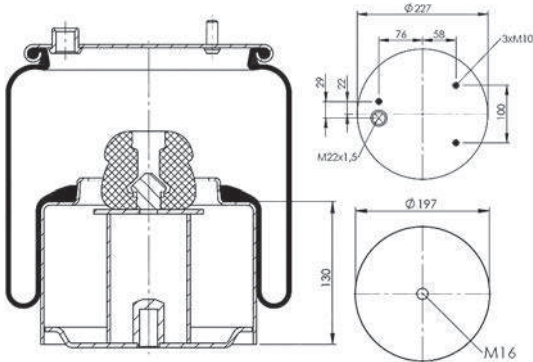
OEM REFERENCES

DAF

1141525

1600-887 T3

Pallet Size: 115*80*75 Product Weight (Kg): 7,92 Pallet Quantity: 30



CROSS REFERENCES

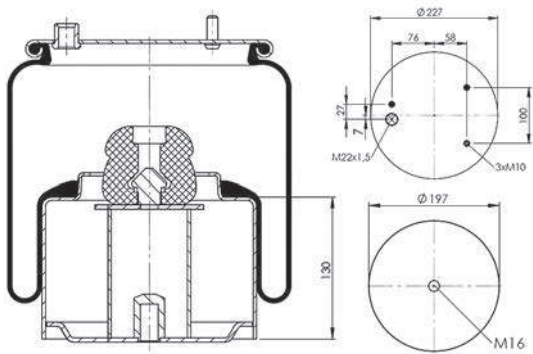
CONTITECH 887 N P03

OEM REFERENCES

VDL BUS 1153935

1600-887 T4

Pallet Size: 115*80*75 Product Weight (Kg): 8,70 Pallet Quantity: 30



CROSS REFERENCES

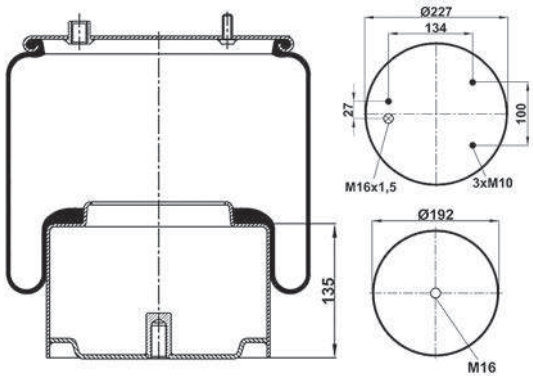
CONTITECH 887 N P04
GOODYEAR 1R11-797

OEM REFERENCES

VDL BUS 1154761

1600-887 T6

Pallet Size: 115*80*75 Product Weight (Kg): 6,50 Pallet Quantity: 30



CROSS REFERENCES

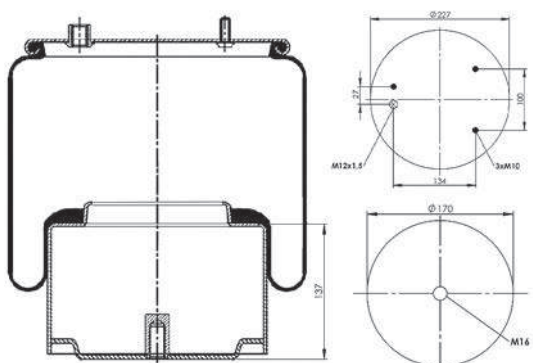
FIRESTONE W01-M58-8683
CONTITECH 887 MK1
FIRESTONE 1T15LNR-3
GOODYEAR 1R11-798

OEM REFERENCES

DAF 392022
1697684

1600-887 T7

Pallet Size: 115*80*75 Product Weight (Kg): 6,26 Pallet Quantity: 30



CROSS REFERENCES

FIRESTONE W01-M58-8682
CONTITECH 887 MK3

OEM REFERENCES

DAF 1 266 382
1 697 682

1600-887 T8

Pallet Size: 115*80*75 Product Weight (Kg): 6,36 Pallet Quantity: 30

CROSS REFERENCES

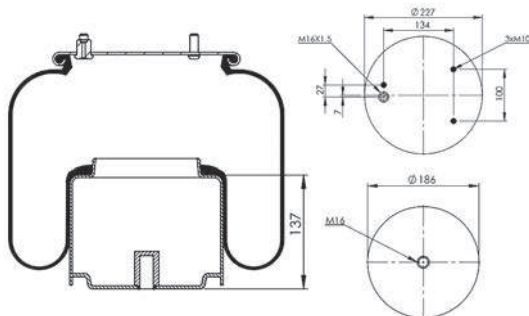
FIRESTONE
CONTITECH

W01-M58-8681
887 M K4

OEM REFERENCES

DAF

1 286 251
1 697 680 CF 65
1 697 680 CF 75-85
1 697 680 LF 45-55



1600-887 T9

Pallet Size: 115*80*75 Product Weight (Kg): 6,31 Pallet Quantity: 30

CROSS REFERENCES

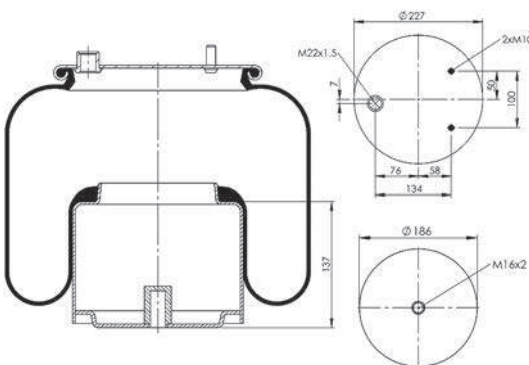
CONTITECH

887 N P09

OEM REFERENCES

DAF

1 794 425



1600-887 T10

Pallet Size: 115*80*75 Product Weight (Kg): 6,69 Pallet Quantity: 30

CROSS REFERENCES

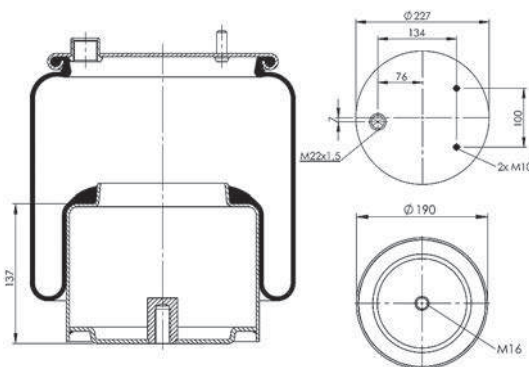
CONTITECH

887 N P06

OEM REFERENCES

DAF

1 794 428



1600-901 T1

Pallet Size: 115*80*91 Product Weight (Kg): 15,32 Pallet Quantity: 15

CROSS REFERENCES

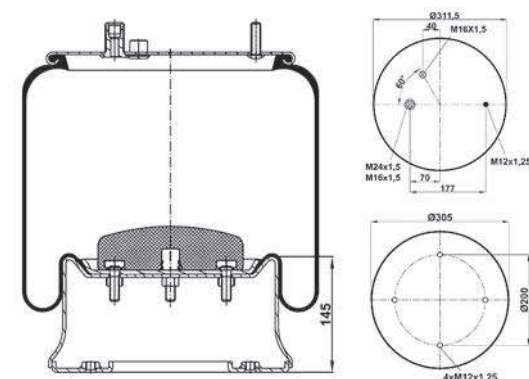
CONTITECH

901 MB

OEM REFERENCES

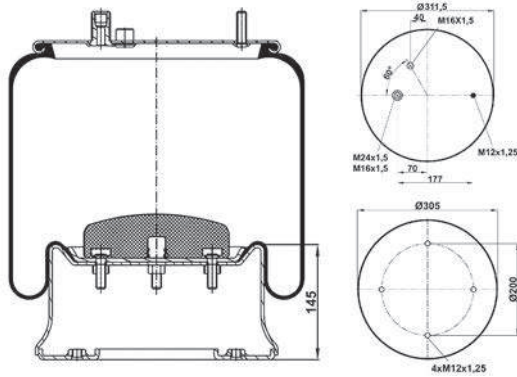
RENAULT V.I

5010052722
5010130683
5010151698



1600-902 T

Pallet Size: 115*80*91 Product Weight (Kg): 14,86 Pallet Quantity: 18



CROSS REFERENCES

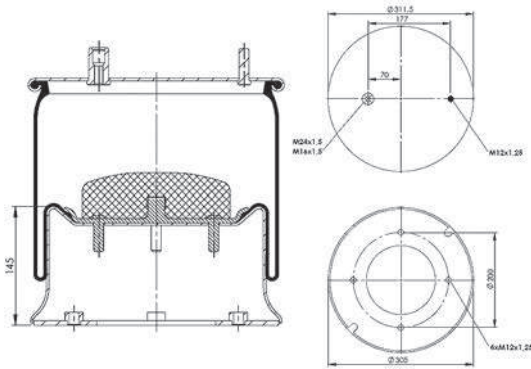
CONTITECH 902 MB

OEM REFERENCES

RENAULT V.I 5010211724

1600-902 T1

Pallet Size: 115*80*91 Product Weight (Kg): 14,74 Pallet Quantity: 18



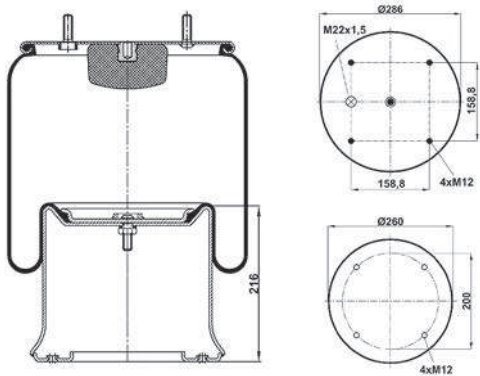
CROSS REFERENCES

OEM REFERENCES

SPECIAL PRODUCT

1600-912 T

Pallet Size: 115*80*91 Product Weight (Kg): 12,55 Pallet Quantity: 24



CROSS REFERENCES

FIRESTONE W01-M58-8766
W01-M58-7385
1T19L-14

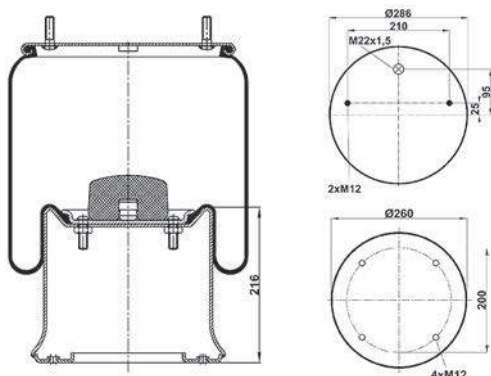
OEM REFERENCES

WEWELER US96881F
SAF 3.229.0005.01
3.229.0013.00
3.229.0006.01
21222673
Y507782

R.O.R/MERITOR
HENDRICKSON

1600-912 T1

Pallet Size: 115*80*91 Product Weight (Kg): 12,58 Pallet Quantity: 24



CROSS REFERENCES

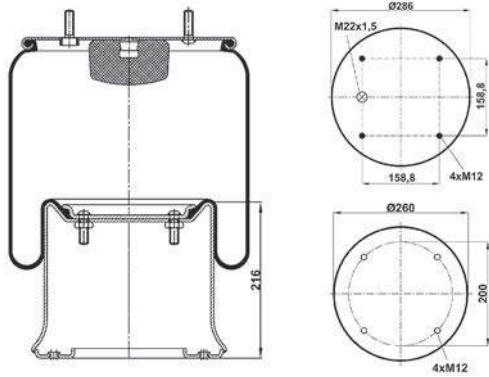
FIRESTONE W01-M58-8502
CONTITECH 912 N P01
FIRESTONE 1T19L-14

OEM REFERENCES

SAF 3228103000
3.229.0030.00

1600-912 T2

Pallet Size: 115*80*91 Product Weight (Kg): 12,71 Pallet Quantity: 24



CROSS REFERENCES

CONTITECH
GOODYEAR

912 N P02
1R14-758

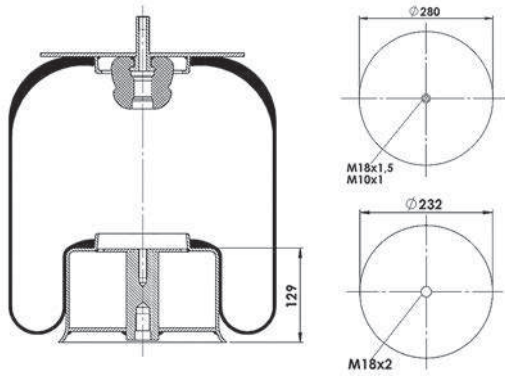
OEM REFERENCES

WEWELER
SAF
R.O.R/MERITOR
HENDRICKSON

US96681F
3.229.0013.00
21222673
Y507782

1600-916 T

Pallet Size: 115*80*91 Product Weight (Kg): 10 Pallet Quantity: 24



CROSS REFERENCES

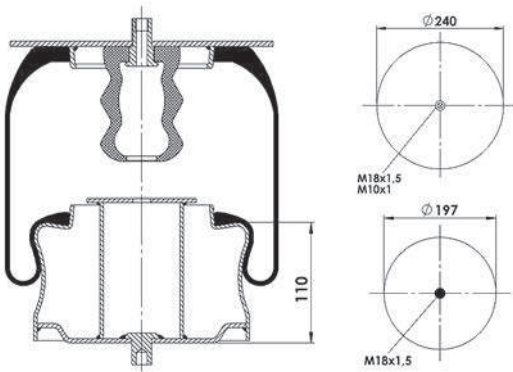
CONTITECH

916 N1**CA

OEM REFERENCES

1600-921 T

Pallet Size: 115*80*91 Product Weight (Kg): Pallet Quantity: 24



CROSS REFERENCES

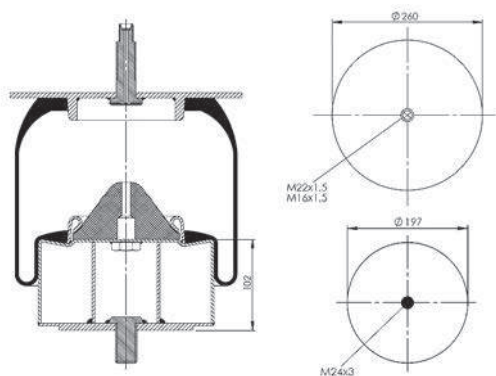
CONTITECH

921 MB

OEM REFERENCES

1600-921 T1

Pallet Size: 115*80*75 Product Weight (Kg): Pallet Quantity: 28



CROSS REFERENCES

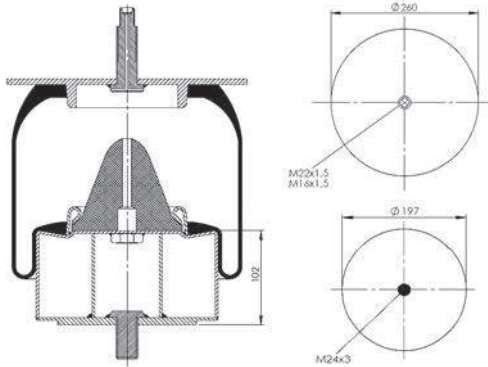
OEM REFERENCES

BMC

53RS900144

1600-921 T2

Pallet Size: 115*80*75 Product Weight (Kg): Pallet Quantity: 28



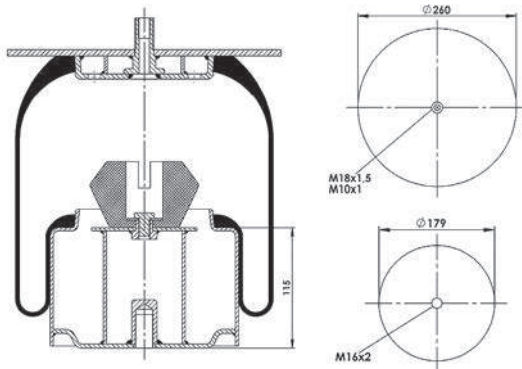
CROSS REFERENCES

OEM REFERENCES

BMC 53RS900131

1600-921 T3

Pallet Size: 115*80*75 Product Weight (Kg): Pallet Quantity: 28



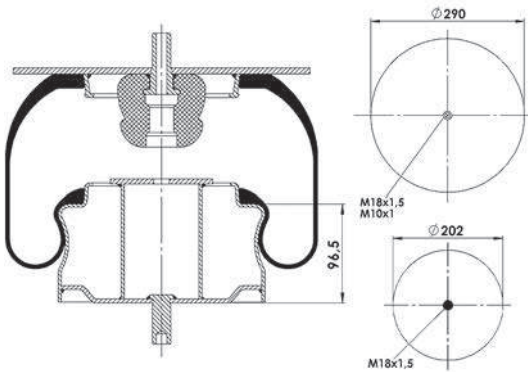
CROSS REFERENCES

OEM REFERENCES

VIBRACOUSTIC V1 E 17-03

1600-936 T

Pallet Size: 115*80*91 Product Weight (Kg): Pallet Quantity: 24



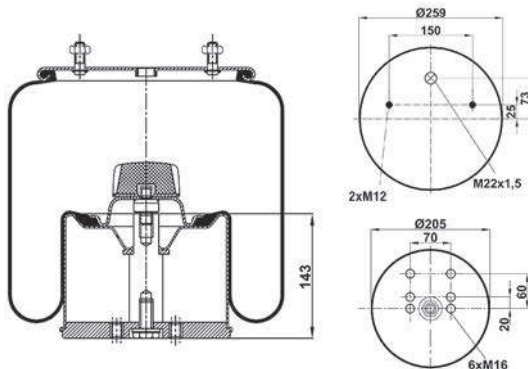
CROSS REFERENCES

OEM REFERENCES

CONTITECH 936 MB IRIS BUS 5000787901 5010019248

1600-940 T

Pallet Size: 115*80*75 Product Weight (Kg): 11,07 Pallet Quantity: 28



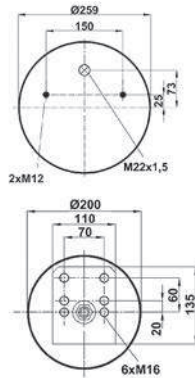
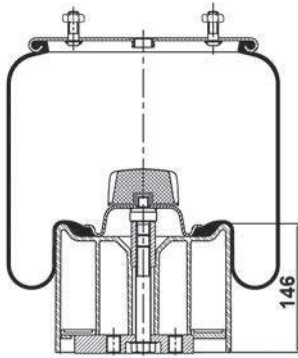
CROSS REFERENCES

OEM REFERENCES

FIRESTONE	W01-M58-8609	GRANNING	15916
CONTITECH	940 MB**CA	BPW	05.429.41.14.1
FIRESTONE	1T17D-4.3		BPW30K
GOODYEAR	1R11-763		05.429.41.27.1
			05.429.41.53.1
			05.429.42.19.1
			05.429.43.21.0
			05.429.41.23.1
			05.429.42.41.1

1600-940 PT

Pallet Size: 115*80*75 Product Weight (Kg): 8,46 Pallet Quantity: 28



CROSS REFERENCES

FIRESTONE
FIRESTONE

CONTITECH
FIRESTONE
GOODYEAR

W01-M58-8609**CPL
W01-M58-8585
(Opposite Position)
940 MB**CPL
1T17D-4.3
1R11-752

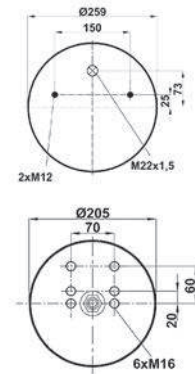
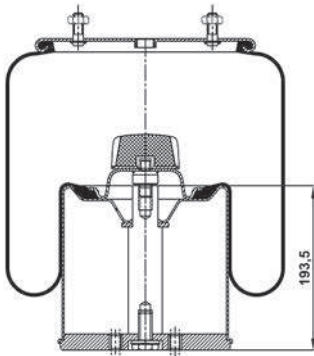
OEM REFERENCES

GRANNING
BPW

15916
542943650
BPW30K
05.429.43.21.0

1600-940 T1

Pallet Size: 115*80*75 Product Weight (Kg): 11,42 Pallet Quantity: 28



CROSS REFERENCES

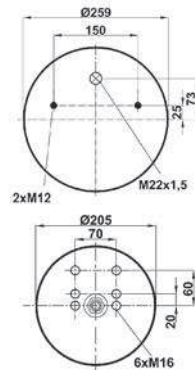
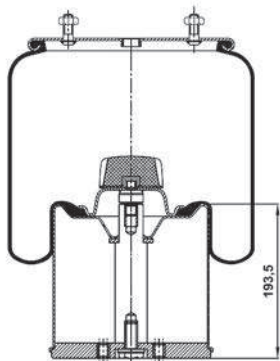
OEM REFERENCES

BPW

05.429.41.28.1
BPW30K

1600-941 T

Pallet Size: 115*80*80 Product Weight (Kg): 12,08 Pallet Quantity: 28



CROSS REFERENCES

FIRESTONE
CONTITECH

FIRESTONE
GOODYEAR

W01-M58-8619
D11B30
941 MB**CA
1T17D-8.3
1R11-762

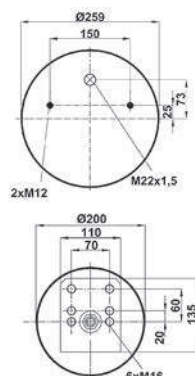
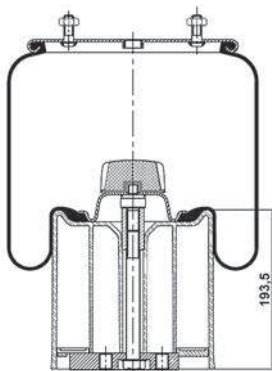
OEM REFERENCES

BPW

05.429.40.10.1
BPW30
05.429.41.14.1
05.429.41.27.1
05.429.41.53.1
05.429.42.19.1
05.429.40.28.1
05.429.40.36.1
05.429.40.59.1

1600-941 PT

Pallet Size: 115*80*80 Product Weight (Kg): 9,85 Pallet Quantity: 28



CROSS REFERENCES

FIRESTONE

VIBRACOUSTIC
CONTITECH
FIRESTONE
GOODYEAR

W01-M58-8618
W01-M58-8668
(Opposite Position)
V1DK21Y1
941 MB**CPL
1T17D-8.3
1R14-781

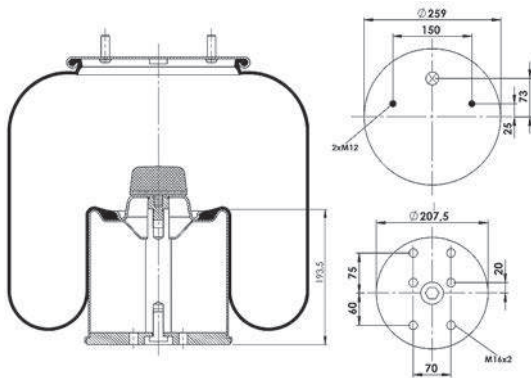
OEM REFERENCES

SCHMITZ
SCANIA
BPW

017 109
2338887
05.429.43.20.0
BPW30

1600-941 T2

Pallet Size: 115*80*80 Product Weight (Kg): 12,67 Pallet Quantity: 28



CROSS REFERENCES

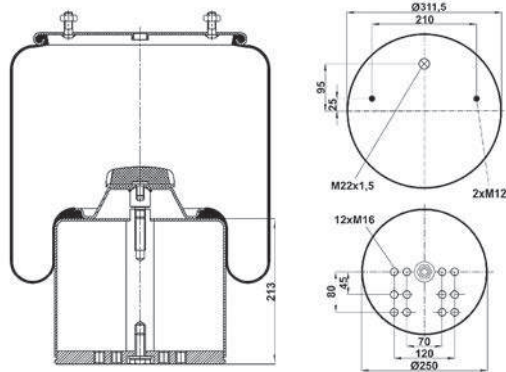
GOODYEAR 1R11-702

OEM REFERENCES

BPW 30 05.429.40.52.1
30 05.429.40.64.1
30 05.429.41.24.1

1600-942 T

Pallet Size: 115*80*80 Product Weight (Kg): 19,52 Pallet Quantity: 22



CROSS REFERENCES

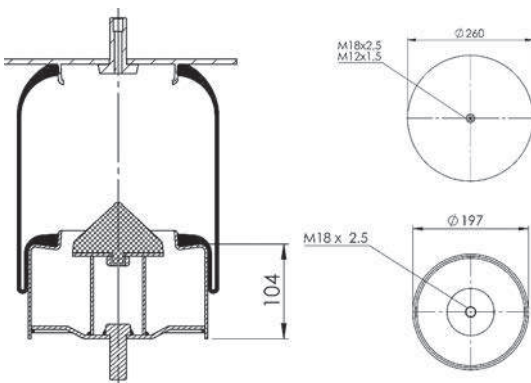
FIRESTONE W01-M58-8584
VIBRACOUSTIC V1DK32L X14
CONTITECH 942 MB**CA
GOODYEAR 1R14-781

OEM REFERENCES

HUFFERMANN 6-AB8003-0300
BPW 05.429.40.15.0
BPW36-1
05.429.40.51.0
05.429.41.69.0
05.429.41.71.1
05.429.43.45.0

1600-944 T

Pallet Size: 115*80*75 Product Weight (Kg): 9,04 Pallet Quantity: 28



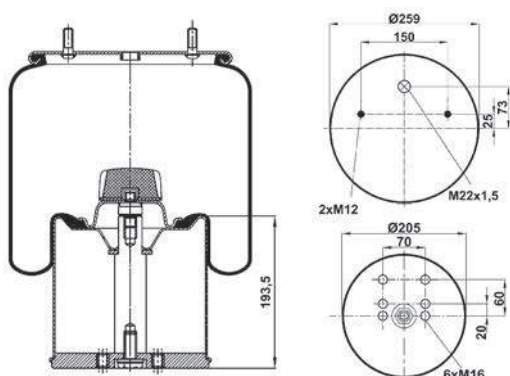
CROSS REFERENCES

OEM REFERENCES

VOITH H68.237001

1600-951 T

Pallet Size: 115*80*91 Product Weight (Kg): 12,25 Pallet Quantity: 28



CROSS REFERENCES

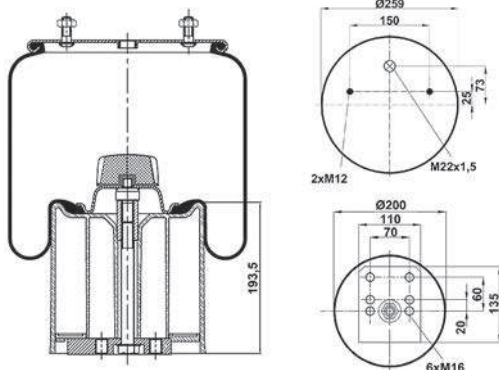
CONTITECH 951 MB**CA

OEM REFERENCES

BPW 05.429.40.72.0
05.429.42.72.0

1600-951 PT

Pallet Size: 115*80*91 Product Weight (Kg): Pallet Quantity: 28



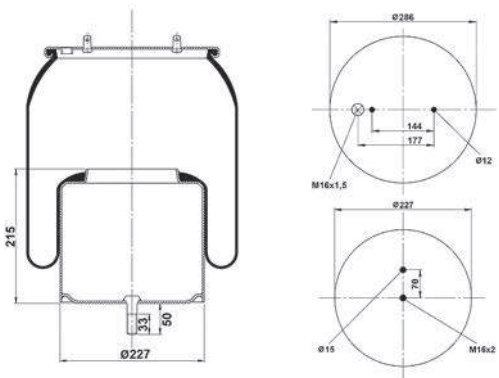
CROSS REFERENCES

CONTITECH 951 MB**CPL

OEM REFERENCES

1600-0195 T

Pallet Size: 115*80*91 Product Weight (Kg): 10,20 Pallet Quantity: 24



CROSS REFERENCES

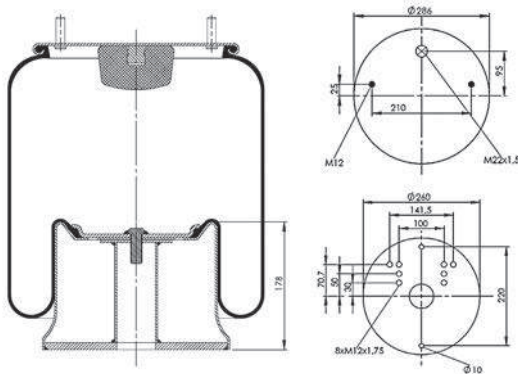
CONTITECH 0195 N P01

OEM REFERENCES

SCANIA 1510195

1600-0283 T1

Pallet Size: 115*80*91 Product Weight (Kg): 14,12 Pallet Quantity: 24



CROSS REFERENCES

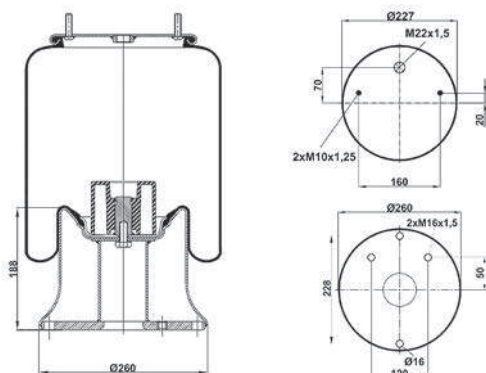
FIRESTONE W01-M58-6223
VIBRACOUSTIC V1DK28F-3
GOODYEAR 1R14-823

OEM REFERENCES

WEWELER US04030P
SCHMITZ S017924
DISCOS / MERCEDES BENZ A9463281501

1600-1209 T

Pallet Size: 115*80*80 Product Weight (Kg): 11,64 Pallet Quantity: 28



CROSS REFERENCES

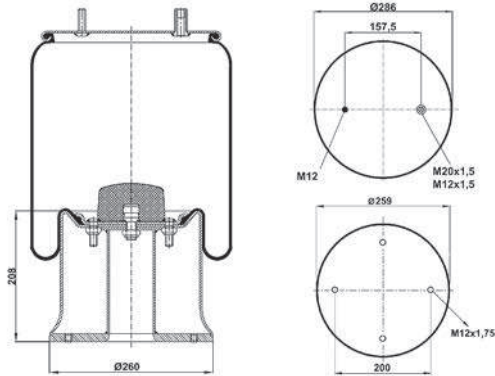
FIRESTONE W01-M58-6289
GOODYEAR 1T15M-9
1R12-703

OEM REFERENCES

ZORZI 1006551
ROLFO 112322
OMAR 11808
CARDI 58050900

1600-1304 T

Pallet Size: 115*80*91 Product Weight (Kg): Pallet Quantity: 24



CROSS REFERENCES

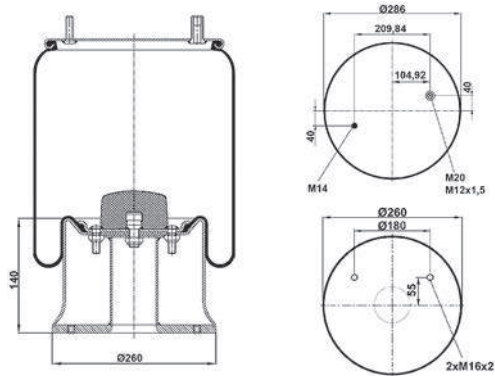
GOODYEAR 1R13-732**CA

OEM REFERENCES

ZORZI 1006552
SMB M001464
FRUEHAUF UJB0129-001

1600-1305 T

Pallet Size: 115*80*80 Product Weight (Kg): 14,62 Pallet Quantity: 24



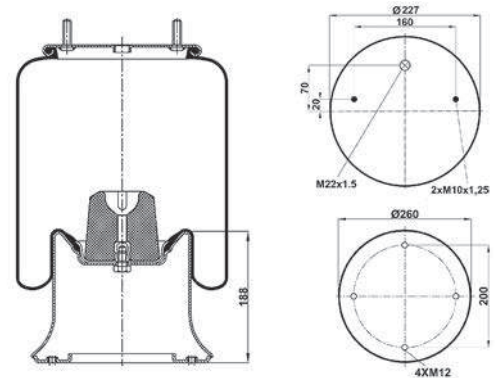
CROSS REFERENCES

OEM REFERENCES

KAISER F01004307

1600-1306 T10

Pallet Size: 115*80*91 Product Weight (Kg): 9,52 Pallet Quantity: 28



CROSS REFERENCES

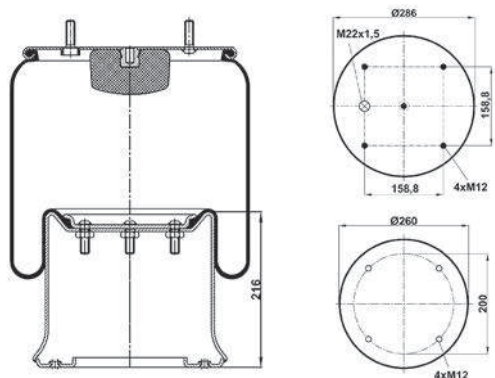
GOODYEAR 1R12-720

OEM REFERENCES

ZORZI 1006559
VIBERTI 128147109

1600-1314 T

Pallet Size: 115*80*91 Product Weight (Kg): 12,22 Pallet Quantity: 24



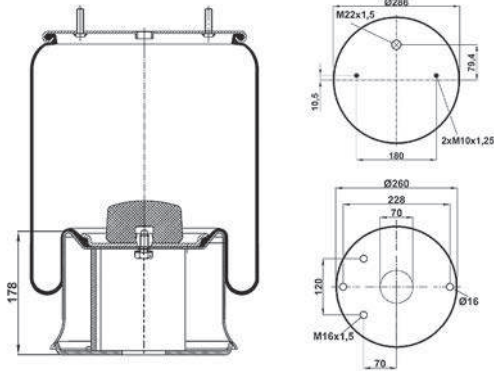
CROSS REFERENCES

OEM REFERENCES

FRUEHAUF M060770

1600-1318 T

Pallet Size: 115*80*91 Product Weight (Kg): 14,40 Pallet Quantity: 24



CROSS REFERENCES

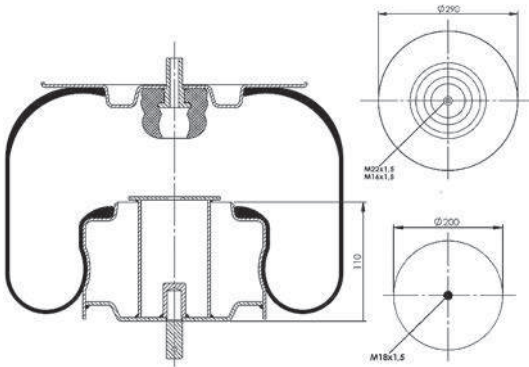
FIRESTONE W01-M58-6361
1T19L-11
GOODYEAR 1R14-706

OEM REFERENCES

ZF SACHS 1006553
VIBERTI 128147102
ROLFO 112060
OMAR 11804
CARDI 58050700
BATTAGLINO 2211401
BARTOLETTI 91619011

1600-1415 T

Pallet Size: 115*80*91 Product Weight (Kg): Pallet Quantity: 24



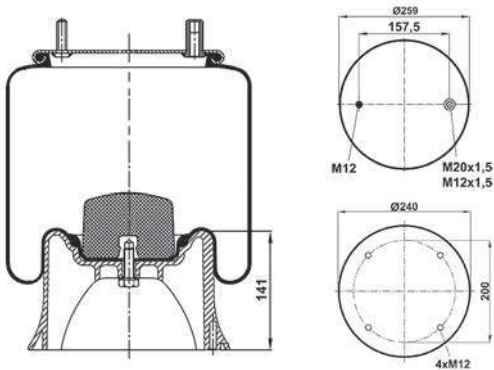
CROSS REFERENCES

CONTITECH 1415 N P02

OEM REFERENCES

1600-1709 PT

Pallet Size: 115*80*80 Product Weight (Kg): 6,55 Pallet Quantity: 28



CROSS REFERENCES

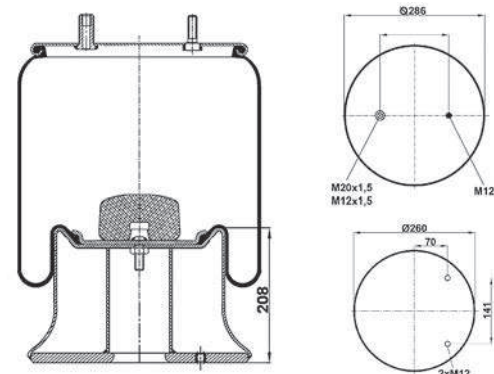
GOODYEAR 1R13-709

OEM REFERENCES

HENDRICKSON HS507465

1600-1840 T

Pallet Size: 115*80*91 Product Weight (Kg): 8,60 Pallet Quantity: 24



CROSS REFERENCES

FIRESTONE W01-M58-8762
1T19L-14

OEM REFERENCES

1600-1850 T

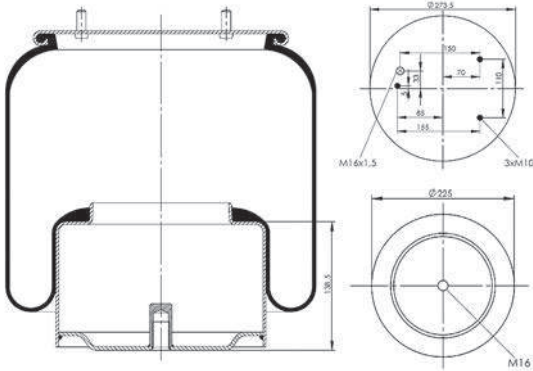
Pallet Size: 115*80*80 Product Weight (Kg): 8,46 Pallet Quantity: 28

CROSS REFERENCES

CONTITECH 1850 N P01

OEM REFERENCES

FORD CARGO ÇEKİCİ FRONT 1838 T



1600-1857 T

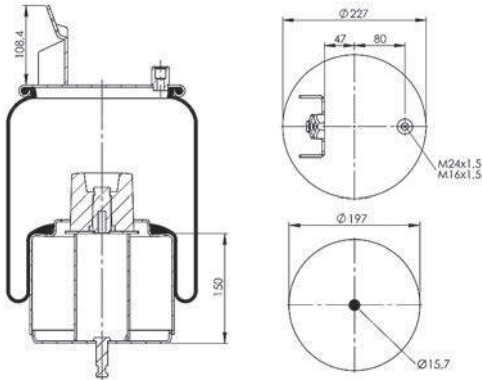
Pallet Size: 115*80*80 Product Weight (Kg): 8,38 Pallet Quantity: 30

CROSS REFERENCES

GOODYEAR 1R11-857

OEM REFERENCES

VOLVO 20843252
20909150
21321521
21977973



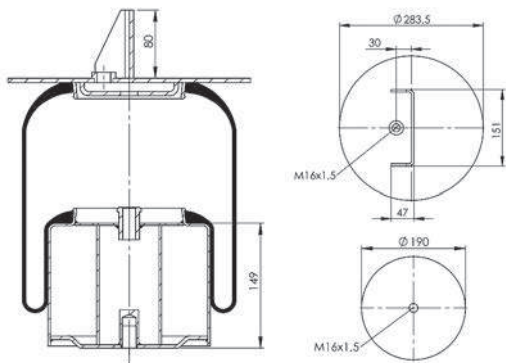
1600-1885 T

Pallet Size: 115*80*80 Product Weight (Kg): Pallet Quantity: 28

CROSS REFERENCES

OEM REFERENCES

MAZ 6430-2934014



1600-1889 T

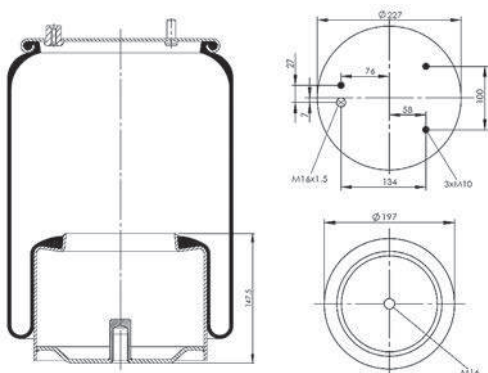
Pallet Size: 115*80*80 Product Weight (Kg): 6,74 Pallet Quantity: 30

CROSS REFERENCES

CONTITECH 1889 N P02

OEM REFERENCES

FORD CARGO ÇEKİCİ REAR



1600-1924 T

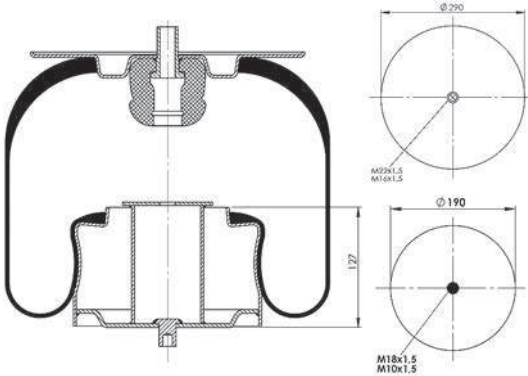
Pallet Size: 115*80*75 Product Weight (Kg): 7,05 Pallet Quantity: 24

CROSS REFERENCES

CONTITECH 1924 N1 P05

OEM REFERENCES

RENAULT V.I 5010347890



1600-2473 PT

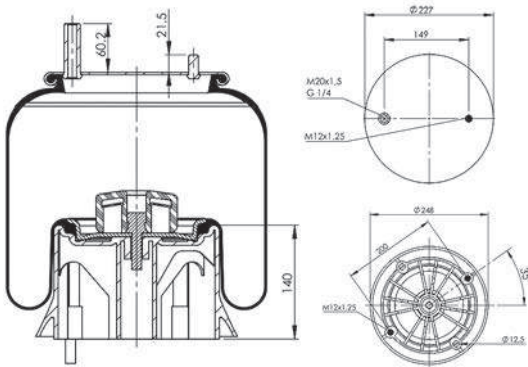
Pallet Size: 115*80*80 Product Weight (Kg): 6,85 Pallet Quantity: 28

CROSS REFERENCES

GOODYEAR 1R12-473

OEM REFERENCES

MAZDA 316885

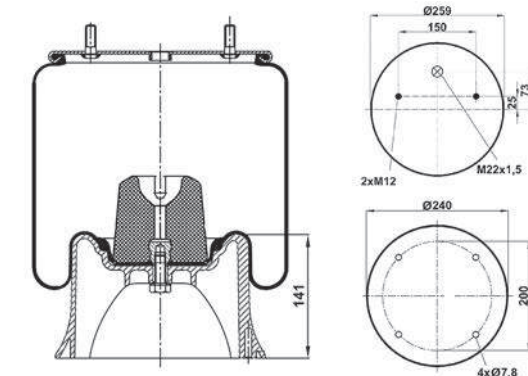


1600-2618 PT

Pallet Size: 115*80*80 Product Weight (Kg): 7,11 Pallet Quantity: 24

CROSS REFERENCES

OEM REFERENCES



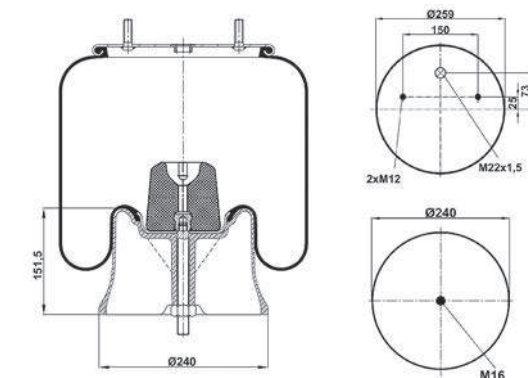
1600-2619 PT

Pallet Size: 115*80*80 Product Weight (Kg): 7,25 Pallet Quantity: 28

CROSS REFERENCES

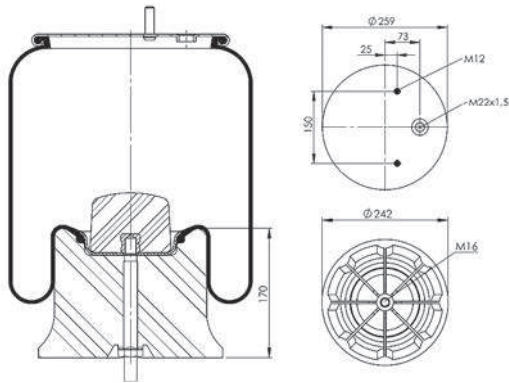
FIRESTONE 1T17BS-6

OEM REFERENCES



1600-2621 PT

Pallet Size: 115*80*80 Product Weight (Kg): 7,21 Pallet Quantity: 28



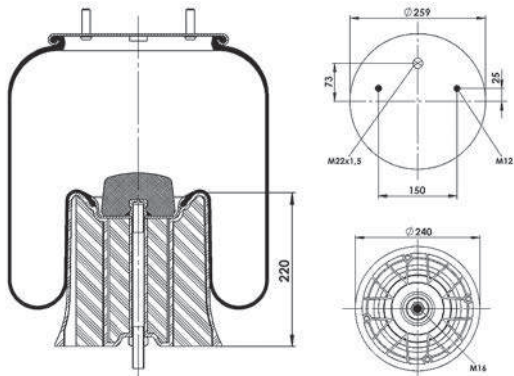
CROSS REFERENCES

OEM REFERENCES

SAF 3.229.0038.00 / 2621V

1600-2626 PT

Pallet Size: 115*80*91 Product Weight (Kg): 8,26 Pallet Quantity: 28



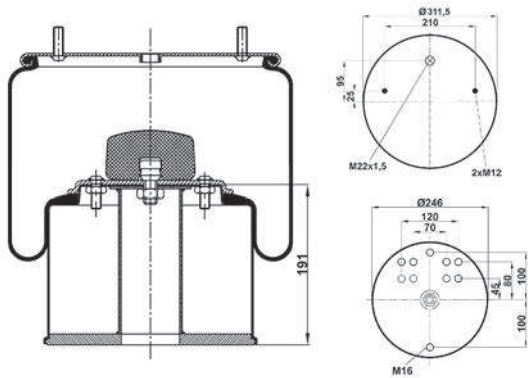
CROSS REFERENCES

OEM REFERENCES

SAF 3.229.0039.00 ; 2626V

1600-2725 T2

Pallet Size: 115*80*80 Product Weight (Kg): 15,45 Pallet Quantity: 22

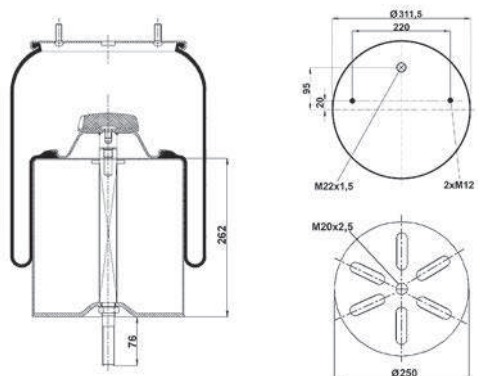


CROSS REFERENCES

OEM REFERENCES

1600-2752 T

Pallet Size: 115*80*91 Product Weight (Kg): 19,62 Pallet Quantity: 22



CROSS REFERENCES
VIBRACOUSTIC
CONTITECH

OEM REFERENCES
GIGANT 166228

V 1 DF 32-166228
752 N P02

1600-2807 PT

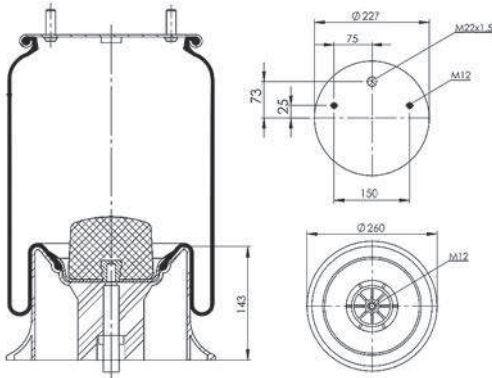
Pallet Size: 115*80*91 Product Weight (Kg): 6,90 Pallet Quantity: 28

CROSS REFERENCES

GOODYEAR 1R12-807

OEM REFERENCES

HENDRICKSON QE100001



1600-2825 T

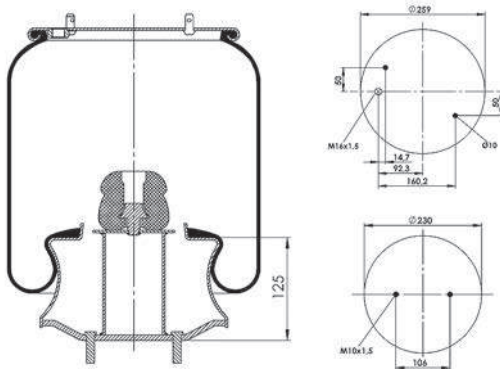
Pallet Size: 115*80*80 Product Weight (Kg): 9,48 Pallet Quantity: 28

CROSS REFERENCES

GOODYEAR 1R12-825

OEM REFERENCES

VOLVO
21097433
21160951
21513833
70311683



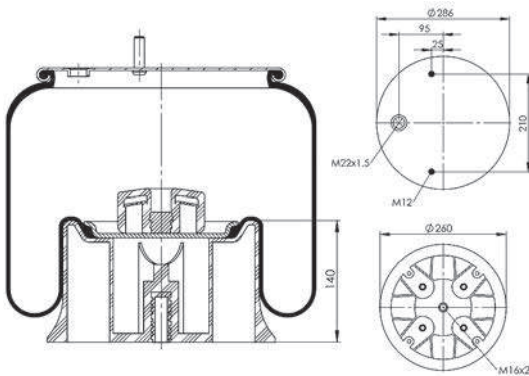
1600-2919 PT

Pallet Size: 115*80*91 Product Weight (Kg): 8,70 Pallet Quantity: 24

CROSS REFERENCES

OEM REFERENCES

SAF 3.229.0042.00



1600-2922 T

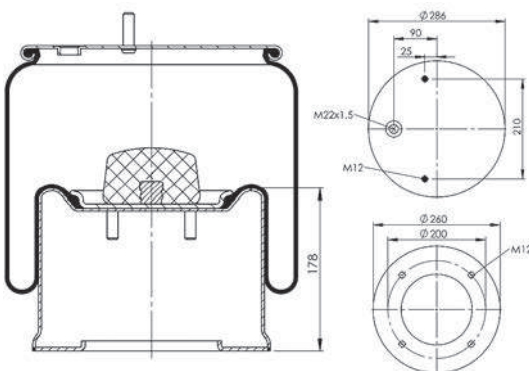
Pallet Size: 115*80*91 Product Weight (Kg): 11,65 Pallet Quantity: 24

CROSS REFERENCES

VIBRACOUSTIC V1D28A-16

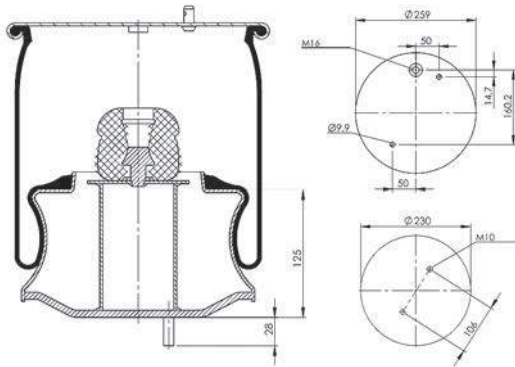
OEM REFERENCES

SAF 3.229.0036.00



1600-3010 T

Pallet Size: 115*80*80 Product Weight (Kg): Pallet Quantity: 28

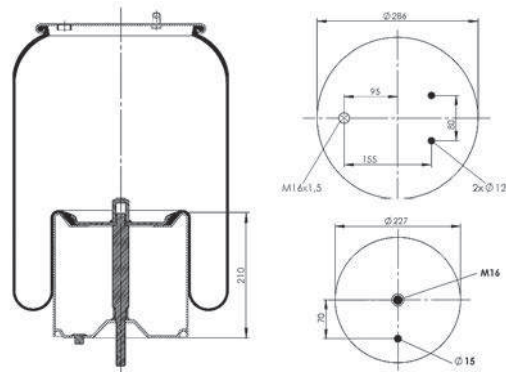


CROSS REFERENCES

OEM REFERENCES

1600-3608 T

Pallet Size: 115*80*80 Product Weight (Kg): 12,54 Pallet Quantity: 24



CROSS REFERENCES

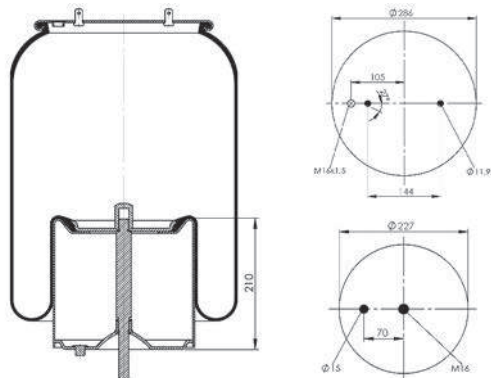
OEM REFERENCES

CONTITECH 6700 N P02
3608 N P01
1R14-869
GOODYEAR

SCANIA 1903608
1944314

1600-3691 T

Pallet Size: 115*80*80 Product Weight (Kg): Pallet Quantity: 24



CROSS REFERENCES

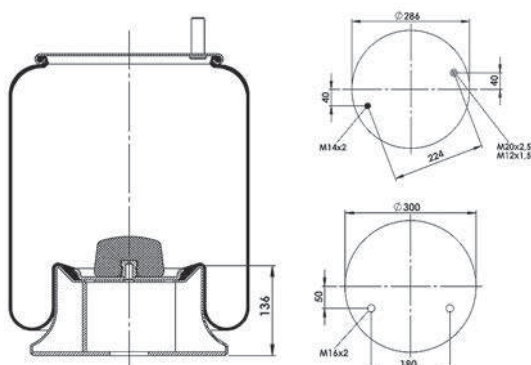
OEM REFERENCES

CONTITECH 6700 N P01
3691 N P01

SCANIA 1543691

1600-3724 T

Pallet Size: 115*80*91 Product Weight (Kg): Pallet Quantity: 24



CROSS REFERENCES

OEM REFERENCES

GOODYEAR 1R13-724

KAISER F01008697

1600-3726 T

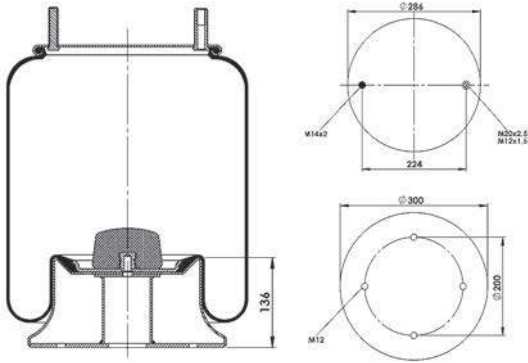
Pallet Size: 115*80*91 Product Weight (Kg): Pallet Quantity: 24

CROSS REFERENCES

GOODYEAR 1R13-726

OEM REFERENCES

TROUILLET F01008696



1600-3728 T

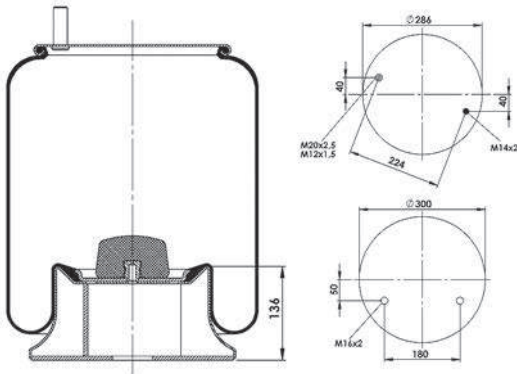
Pallet Size: 115*80*91 Product Weight (Kg): Pallet Quantity: 24

CROSS REFERENCES

GOODYEAR 1R13-728

OEM REFERENCES

KAISER F01008697



1600-4004 T3

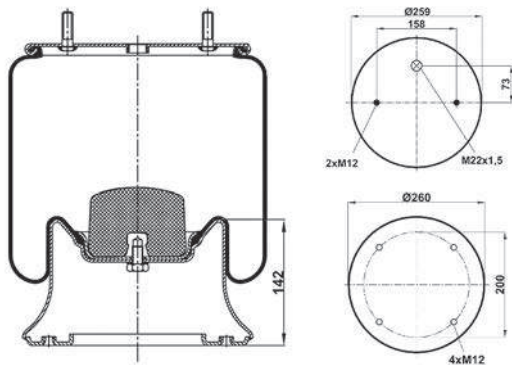
Pallet Size: 115*80*80 Product Weight (Kg): 9,64 Pallet Quantity: 28

CROSS REFERENCES

FIRESTONE W01-M58-6366**CA
CONTITECH 4004 N P05
FIRESTONE 1T17BS-6
GOODYEAR 1R11-706

OEM REFERENCES

SAF 2.229.0007.00
2.229.0007.01
3.229.0007.00
3.229.0007.01
3.229.0007.02



1600-4004 PT3

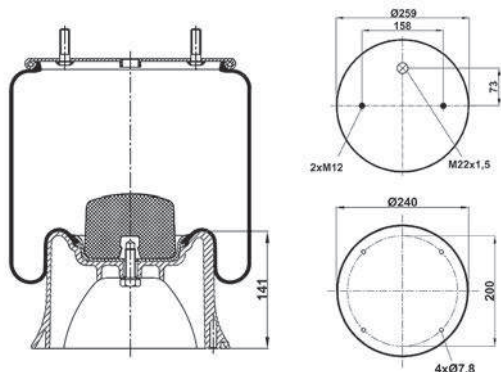
Pallet Size: 115*80*80 Product Weight (Kg): 7,37 Pallet Quantity: 28

CROSS REFERENCES

FIRESTONE W01-M58-6366
CONTITECH 4004 N P03
FIRESTONE 1T17BS-6
GOODYEAR 1R11-713

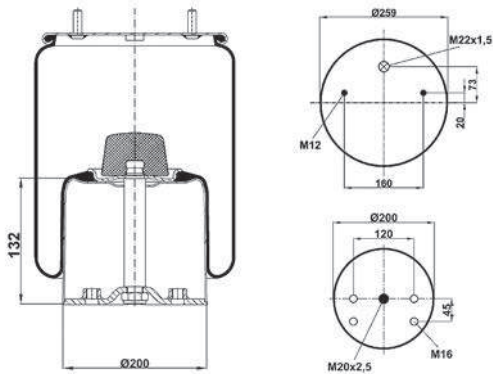
OEM REFERENCES

SAF 2.229.0007.00
2.229.0007.01
3.229.0007.00
3.229.0007.01
3.229.0007.02



1600-4007 T

Pallet Size: 115*80*75 Product Weight (Kg): 9,40 Pallet Quantity: 28



CROSS REFERENCES

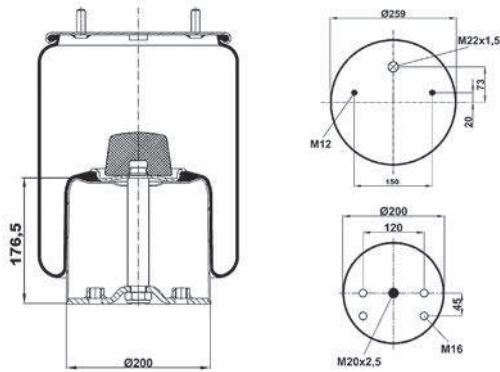
CONTITECH 4007 N P03

OEM REFERENCES

GIGANT 246090

1600-4007 T2

Pallet Size: 115*80*75 Product Weight (Kg): 1 Pallet Quantity: 28



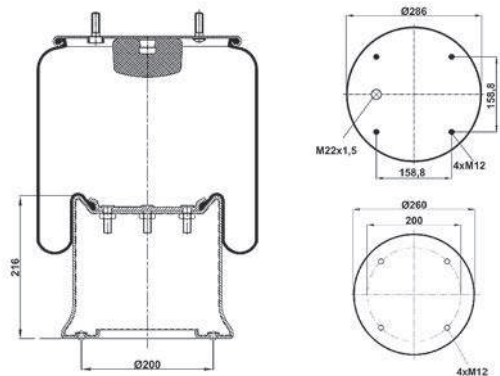
CROSS REFERENCES

OEM REFERENCES

GIGANT 3042

1600-4008 T1

Pallet Size: 115*80*80 Product Weight (Kg): 11,77 Pallet Quantity: 24



CROSS REFERENCES

FIRESTONE
VIBRACOUSTIC
CONTITECH
FIRESTONE
GOODYEAR

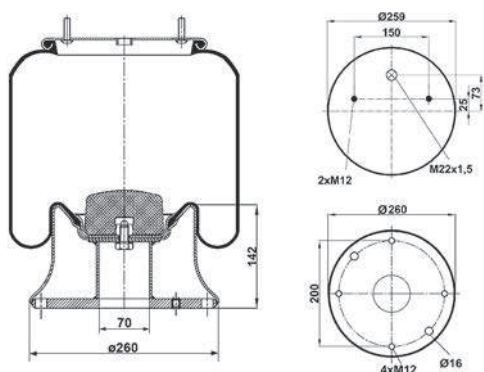
W01-M58-8765
V 1 D 28 C-12
4008 N P01
1T19F-12
1R13-805

OEM REFERENCES

WEWELER US07380
SMB UJB0305
SAMRO H25000361
SAF 3.229.0024.00
R.O.R/MERITOR 21221349
FRUEHAUF UJB0305-001

1600-4022 T2

Pallet Size: 115*80*80 Product Weight (Kg): 10,66 Pallet Quantity: 28

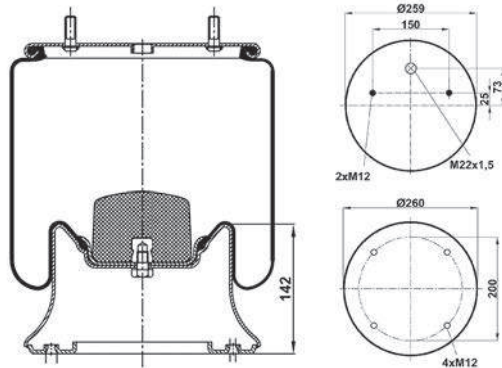


CROSS REFERENCES

OEM REFERENCES

1600-4022 T3

Pallet Size: 115*80*80 Product Weight (Kg): 9,67 Pallet Quantity: 28



CROSS REFERENCES

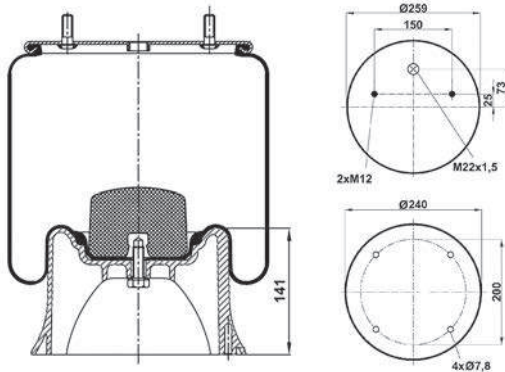
CONTITECH
GOODYEAR

4022 N P03**CA
1R11-710

OEM REFERENCES

1600-4022 PT3

Pallet Size: 115*80*80 Product Weight (Kg): 7,32 Pallet Quantity: 28



CROSS REFERENCES

FIRESTONE
VIBRACOUSTIC
CONTITECH
FIRESTONE
GOODYEAR

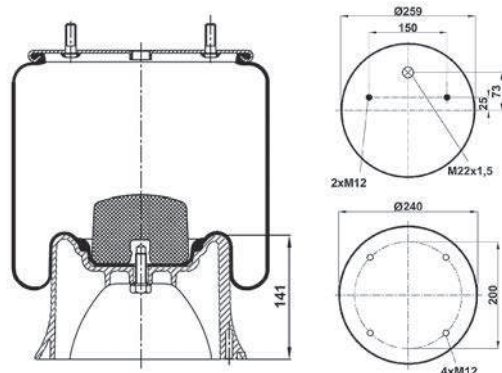
W01-M58-6367
V1DK22E-9
4022 N P03
1T17BS-6
1R11-751

OEM REFERENCES

SAF 3.229.0029.00
3.229.2129.00
3.229.2229.00
3.229.2429.00

1600-4022 PT4

Pallet Size: 115*80*80 Product Weight (Kg): 8,66 Pallet Quantity: 28



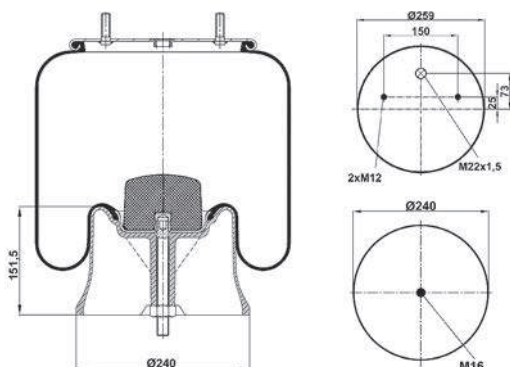
CROSS REFERENCES

OEM REFERENCES

SPECIAL PRODUCT

1600-4022 PT5

Pallet Size: 115*80*80 Product Weight (Kg): 7,13 Pallet Quantity: 28



CROSS REFERENCES

FIRESTONE
VIBRACOUSTIC
CONTITECH
FIRESTONE

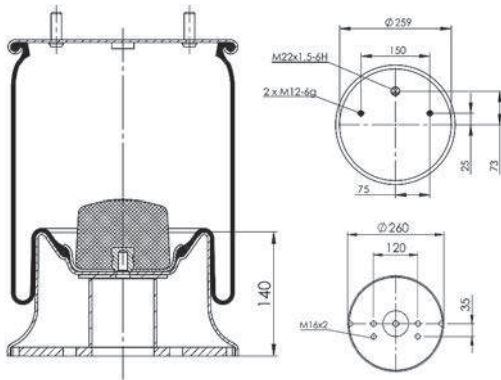
W01-M58-8612
V1DK22E-10
4022 N P05
1T17BS-6

OEM REFERENCES

SAF 3.229.0033.00

1600-4022 T6

Pallet Size: 115*80*80 Product Weight (Kg): 12,48 Pallet Quantity: 28

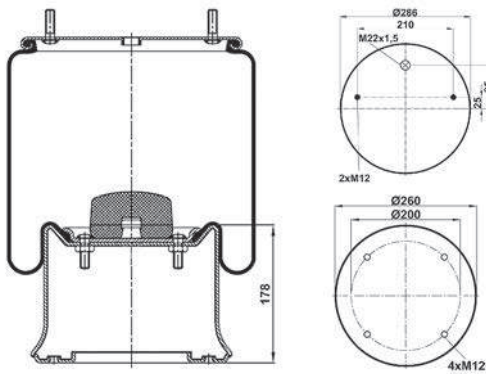


CROSS REFERENCES

OEM REFERENCES

1600-4023 T3

Pallet Size: 115*80*91 Product Weight (Kg): 11,90 Pallet Quantity: 24



CROSS REFERENCES

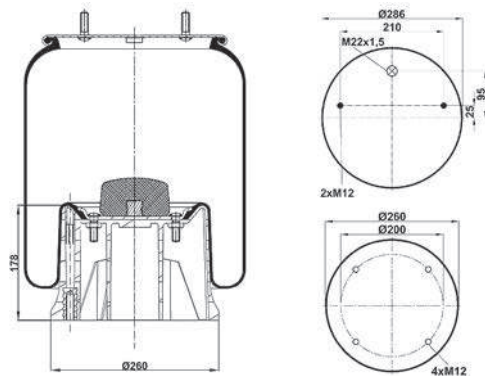
OEM REFERENCES

FIRESTONE W01-M58-6348
 VIBRACOUSTIC V1D28B-10
 CONTITECH 4023 N P03
 FIRESTONE 1T19F-11
 GOODYEAR 1R14-729

SAF 3228003100
 3.229.0031.00
 3.229.2131.00
 3.229.2231.00
 3.229.2431.00

1600-4023 PT3

Pallet Size: 115*80*91 Product Weight (Kg): 9,51 Pallet Quantity: 24



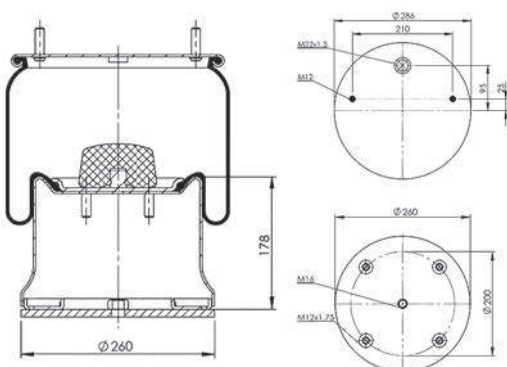
CROSS REFERENCES

OEM REFERENCES

CONTITECH 4023 N P03**CPL

1600-4023 T8

Pallet Size: 115*80*91 Product Weight (Kg): Pallet Quantity: 24



CROSS REFERENCES

OEM REFERENCES

CONTITECH 4023 N P08

SAF HOLLAND 3.228.1031.00
 2923 V P03 Intra
 SAF 3228103100

1600-4023 PT8

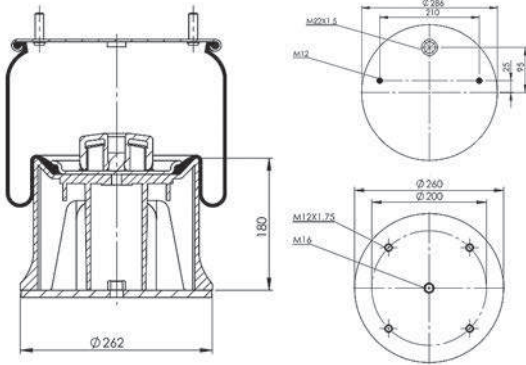
Pallet Size: 115*80*91 Product Weight (Kg): 9,67 Pallet Quantity: 24

CROSS REFERENCES

CONTITECH 4023 N P08**CPL

OEM REFERENCES

SAF HOLLAND 3.228.1031.00
2923 V P03 Intra



1600-4028 T

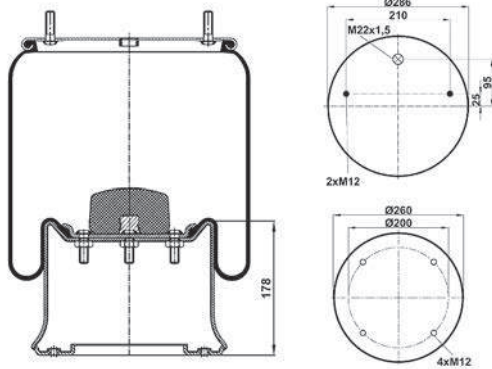
Pallet Size: 115*80*91 Product Weight (Kg): 11,83 Pallet Quantity: 24

CROSS REFERENCES

FIRESTONE W01-M58-8106
VIBRACOUSTIC V1D28F-1
CONTITECH 4028 N P02
FIRESTONE 1T19L-12
GOODYEAR 1R14-782

OEM REFERENCES

WEWELER US 04028
SCHMITZ 015 323



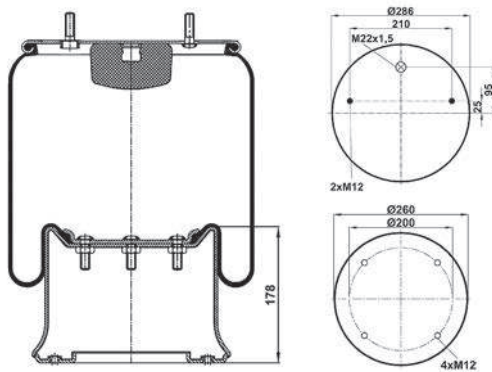
1600-4028 T2

Pallet Size: 115*80*91 Product Weight (Kg): 12,04 Pallet Quantity: 24

CROSS REFERENCES

FIRESTONE 1T19L-12

OEM REFERENCES



1600-4028 T5

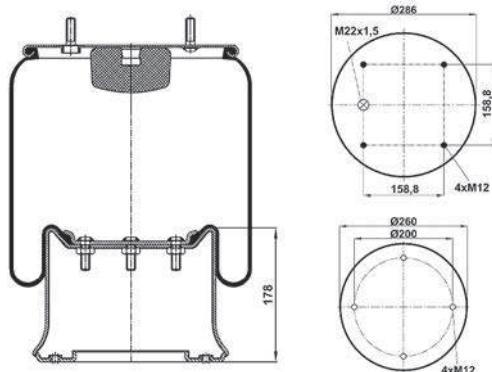
Pallet Size: 115*80*91 Product Weight (Kg): 11,94 Pallet Quantity: 24

CROSS REFERENCES

FIRESTONE W01-M58-7370
CONTITECH 4028 N P05
FIRESTONE 1T19L-11
GOODYEAR 1R14-721

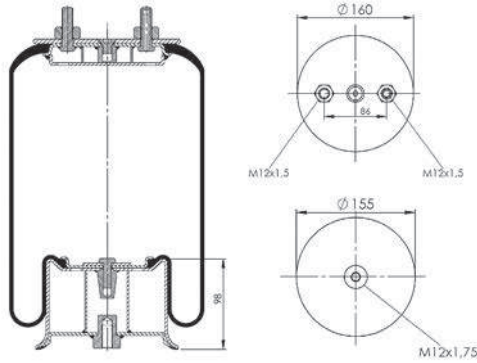
OEM REFERENCES

R.O.R/MERITOR 2122.2239
BATTAGLINO 91101895



1600-4112 T

Pallet Size: 115*80*91 Product Weight (Kg): 5,35 Pallet Quantity: 40



CROSS REFERENCES

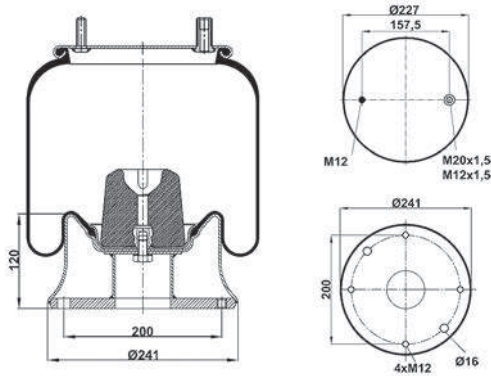
VIBRACOUSTIC V1G12b-7

OEM REFERENCES

OTOKAR M 2010 MAGIRUS REAR

1600-4154 T1

Pallet Size: 115*80*75 Product Weight (Kg): 9,16 Pallet Quantity: 28



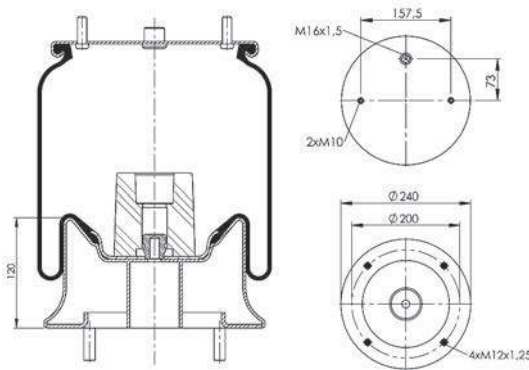
CROSS REFERENCES

FIRESTONE 1T15M-4

OEM REFERENCES

1600-4154 T5

Pallet Size: 115*80*75 Product Weight (Kg): 8,07 Pallet Quantity: 28



CROSS REFERENCES

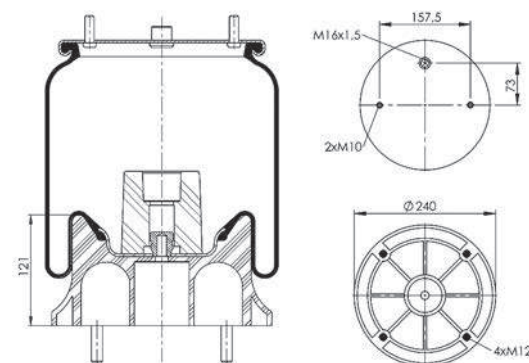
FIRESTONE W01-M58-8172**CA
CONTITECH 4154 N P05**CA

OEM REFERENCES

RENAULT 5010239252
5010488071

1600-4154 PT5

Pallet Size: 115*80*75 Product Weight (Kg): 6,06 Pallet Quantity: 28



CROSS REFERENCES

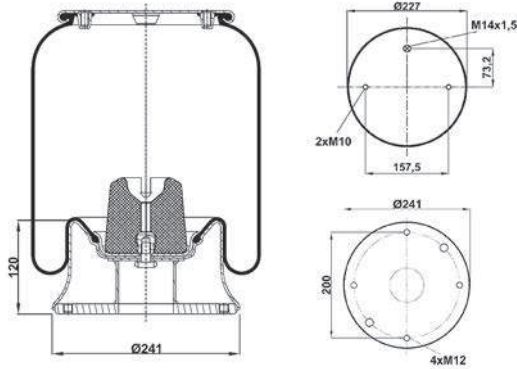
FIRESTONE W01-M58-8172**CPL
CONTITECH 4154 N P05**CPL

OEM REFERENCES

RENAULT 5010239252
5010488071

1600-4154 T6

Pallet Size: 115*80*75 Product Weight (Kg): 11,56 Pallet Quantity: 28



CROSS REFERENCES

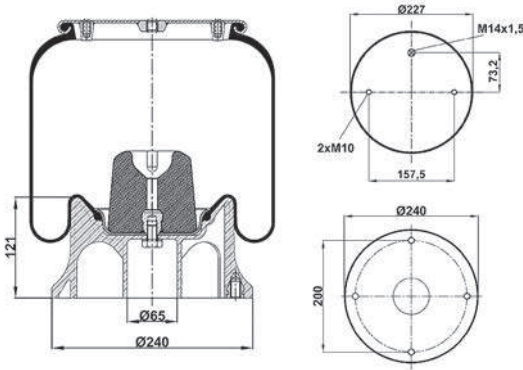
FIRESTONE W01-M58-7283**CA
1T15M-4

OEM REFERENCES

SCANIA 1320151

1600-4154 PT6

Pallet Size: 115*80*75 Product Weight (Kg): 6,02 Pallet Quantity: 28



CROSS REFERENCES

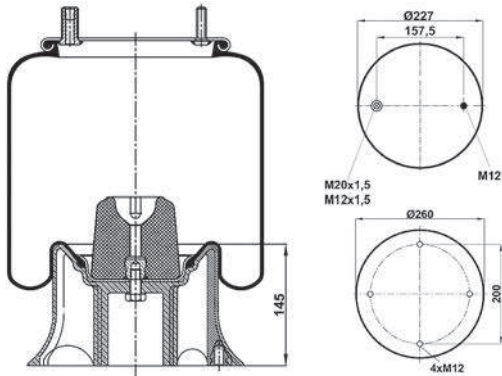
FIRESTONE W01-M58-7283
1T15M-4

OEM REFERENCES

SCANIA 1320151

1600-4156 PT

Pallet Size: 115*80*80 Product Weight (Kg): 6,54 Pallet Quantity: 28



CROSS REFERENCES

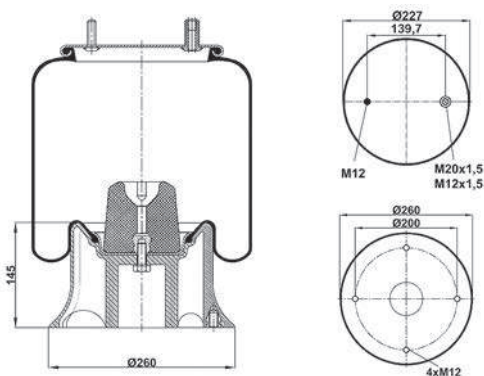
CONTITECH 4156 N P15

OEM REFERENCES

WEWELER US35864
SMB UJB 0207
R.O.R/MERITOR 21215761
HENDRICKSON HA100001
FRUEHAUF M001472

1600-4156 PT2

Pallet Size: 115*80*80 Product Weight (Kg): 6,39 Pallet Quantity: 28



CROSS REFERENCES

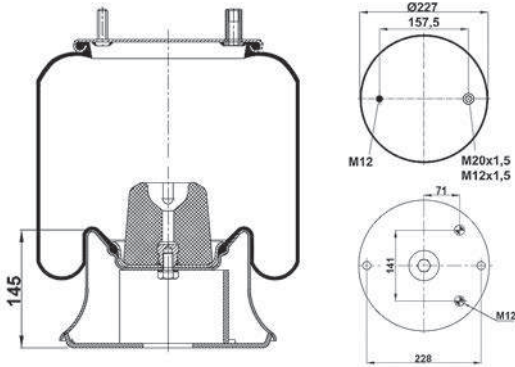
FIRESTONE W01-M58-9229
1T15M-6

OEM REFERENCES

NEWAY M00557002

1600-4156 T3

Pallet Size: 115*80*80 Product Weight (Kg): 10,75 Pallet Quantity: 28



CROSS REFERENCES

FIRESTONE
CONTITECH
FIRESTONE
GOODYEAR

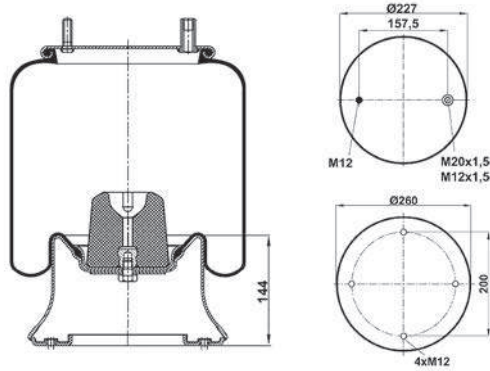
W01-M58-9089
4156 N P09
1T15M-6
1R12-706

OEM REFERENCES

FRUEHAUF M001472
UJB 0207-001

1600-4156 T6

Pallet Size: 115*80*80 Product Weight (Kg): 9,10 Pallet Quantity: 28



CROSS REFERENCES

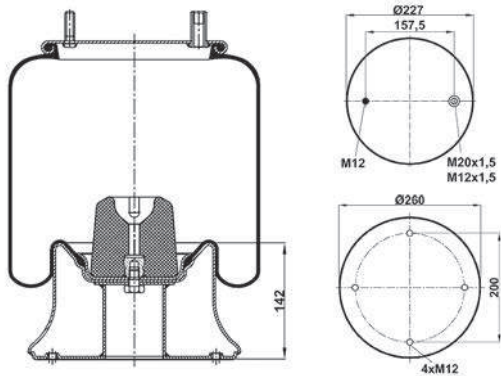
VIBRACOUSTIC
CONTITECH
GOODYEAR

V 1 DK 23 K-28
4156 N P06
1R12-719

OEM REFERENCES

1600-4156 T7

Pallet Size: 115*80*80 Product Weight (Kg): 9,60 Pallet Quantity: 28



CROSS REFERENCES

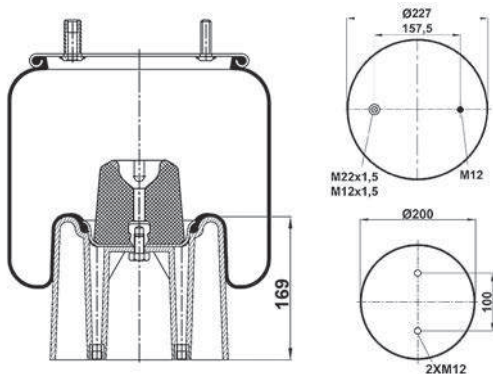
CONTITECH

4156 N P07

OEM REFERENCES

1600-4156 PT7

Pallet Size: 115*80*80 Product Weight (Kg): 6,84 Pallet Quantity: 28



CROSS REFERENCES

FIRESTONE

W01-455-6288
1T15M-6

OEM REFERENCES

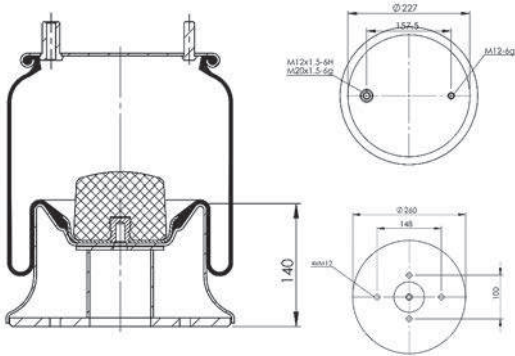
HENDRICKSON HA 100053

1600-4156 T17

Pallet Size: 115*80*75 Product Weight (Kg): Pallet Quantity: 28

CROSS REFERENCES

OEM REFERENCES



1600-4156 T18

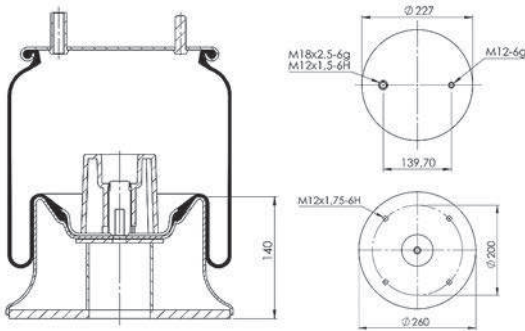
Pallet Size: 115*80*75 Product Weight (Kg): 11,69 Pallet Quantity: 28

CROSS REFERENCES

OEM REFERENCES

FIRESTONE
GOODYEAR

W01-095-0292
8581



1600-4157 T

Pallet Size: 115*80*80 Product Weight (Kg): 10,68 Pallet Quantity: 28

CROSS REFERENCES

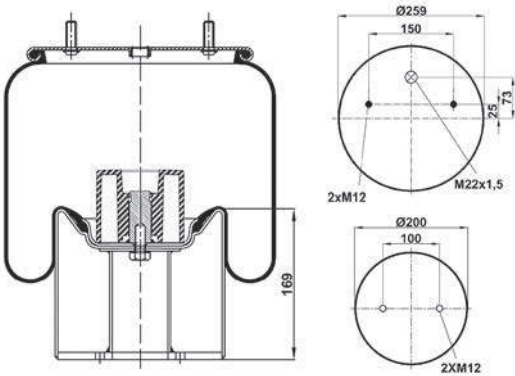
OEM REFERENCES

CONTITECH

4157 N P04**CA

MERCEDES

9463281401



1600-4157 T3

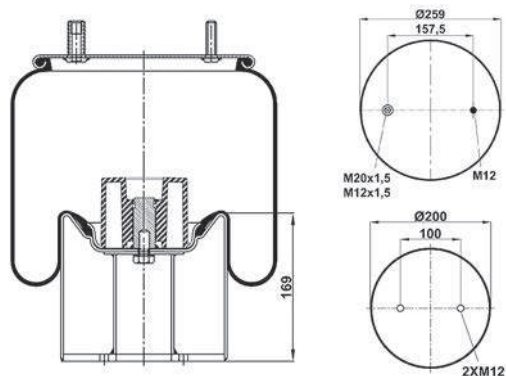
Pallet Size: 115*80*80 Product Weight (Kg): 11,39 Pallet Quantity: 28

CROSS REFERENCES

OEM REFERENCES

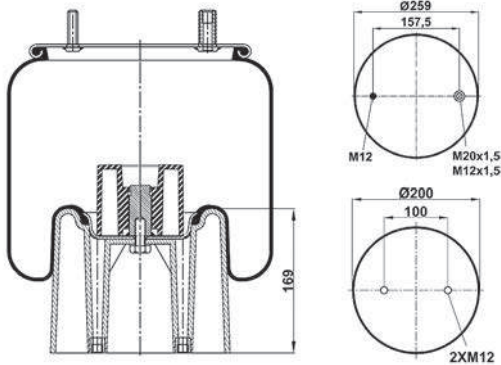
CONTITECH

4157 N P03**CA



1600-4157 PT3

Pallet Size: 115*80*80 Product Weight (Kg): 6,73 Pallet Quantity: 28



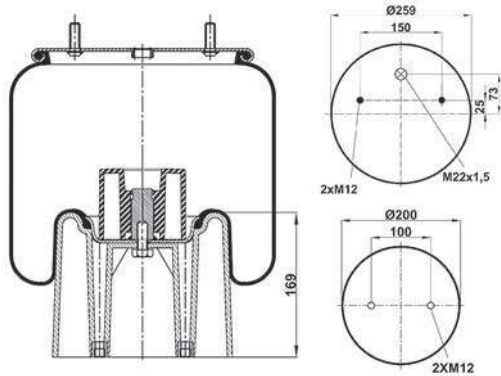
CROSS REFERENCES

CONTITECH 4157 N P03

OEM REFERENCES

1600-4157 PT4

Pallet Size: 115*80*80 Product Weight (Kg): 6,80 Pallet Quantity: 28



CROSS REFERENCES

FIRESTONE
CONTITECH
CONTITECH
FIRESTONE
GOODYEAR

W01-M58-6297
4157 N P04
4157 N P14
1T15MPW-7
1R11-111

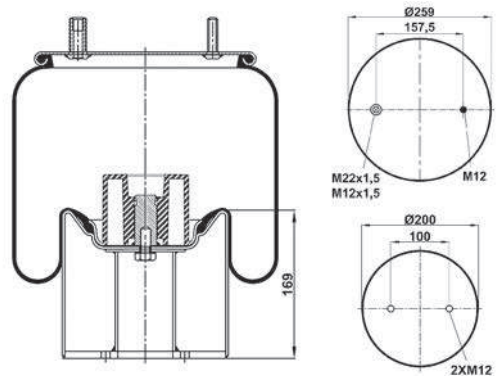
OEM REFERENCES

WEWELER
R.O.R/MERITOR
DISCOS / MERCEDES

US 07364
2122 1307
A 9463281401

1600-4157 T5

Pallet Size: 115*80*80 Product Weight (Kg): 10,90 Pallet Quantity: 28



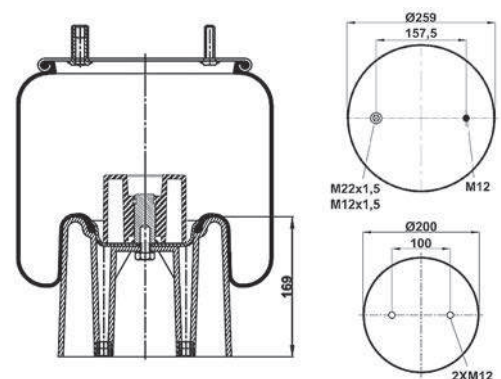
CROSS REFERENCES

CONTITECH 4157 N P05**CA

OEM REFERENCES

1600-4157 PT5

Pallet Size: 115*80*75 Product Weight (Kg): 7,04 Pallet Quantity: 28



CROSS REFERENCES

FIRESTONE
CONTITECH

W01-M58-8840
4157 N P05

OEM REFERENCES

WEWELER
WABCO

US 07074C
US 07074P
951 811 106 0

1600-4157 T6

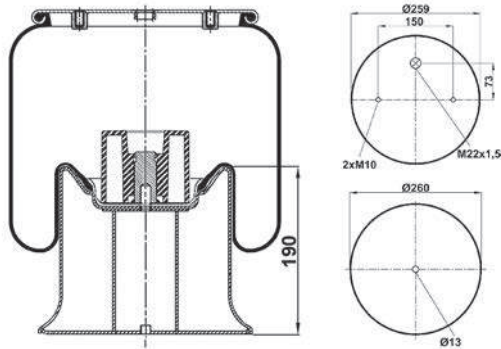
Pallet Size: 115*80*80 Product Weight (Kg): 7,48 Pallet Quantity: 28

CROSS REFERENCES

CONTITECH

4157 N P06**CA

OEM REFERENCES



1600-4157 PT6

Pallet Size: 115*80*80 Product Weight (Kg): 7,35 Pallet Quantity: 28

CROSS REFERENCES

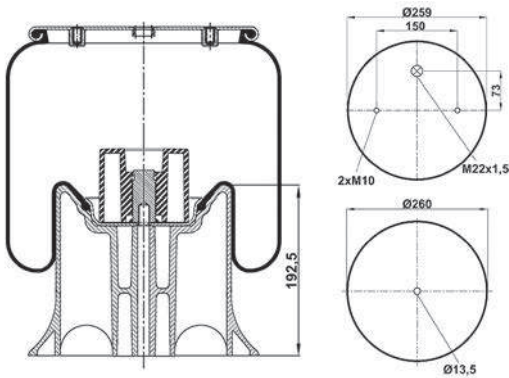
VIBRACOUSTIC
CONTITECH
FIRESTONE
GOODYEAR

V1 DK 20 A-1
4157 N P06
1T15MPW-7
1R11-764

OEM REFERENCES

WEWELER
SCHMITZ

US 06316
751065



1600-4157 PT8

Pallet Size: 115*80*80 Product Weight (Kg): 6,64 Pallet Quantity: 28

CROSS REFERENCES

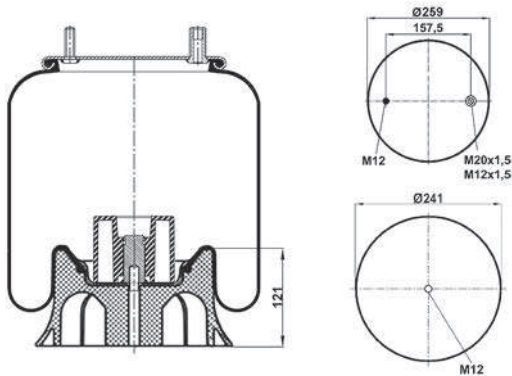
FIRESTONE
VIBRACOUSTIC
CONTITECH
GOODYEAR

W01-M58-6317
V1DK20C-2
4157 N P08
1R11-773

OEM REFERENCES

NEWAY
FRUEHAUF

90557233
M078580



1600-4157 T9

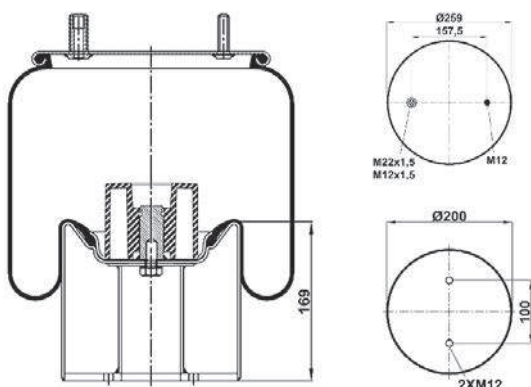
Pallet Size: 115*80*80 Product Weight (Kg): 10,21 Pallet Quantity: 28

CROSS REFERENCES

CONTITECH

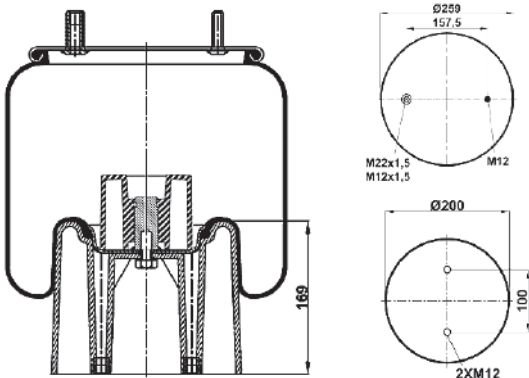
4157 N P09*CA

OEM REFERENCES



1600-4157 PT9

Pallet Size: 115*80*75 Product Weight (Kg): 7,07 Pallet Quantity: 28



CROSS REFERENCES

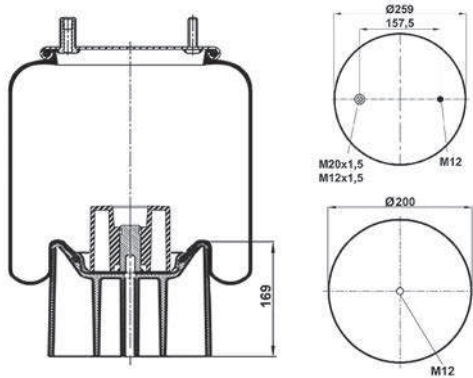
CONTITECH 4157 N P09

OEM REFERENCES

WEWELER R.O.R/MERITOR US 07074F 2122 2442

1600-4157 PT10

Pallet Size: 115*80*80 Product Weight (Kg): 7,02 Pallet Quantity: 28



CROSS REFERENCES

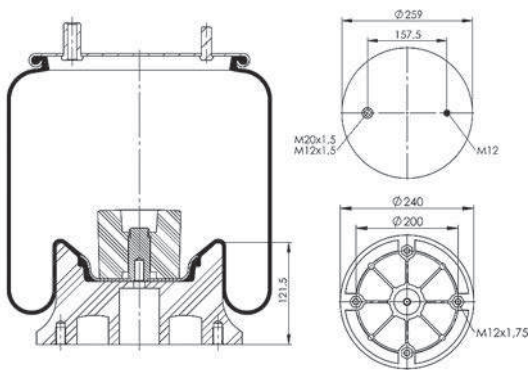
FIRESTONE VIBRACOUSTIC CONTITECH FIRESTONE GOODYEAR W01-M58-6315 V1DK20A-51 4157 N P10 1T15MPW-7 1R11-772

OEM REFERENCES

SMB FRUEHAUF ACERBI M060924 UJB 0975 441901

1600-4157 PT11

Pallet Size: 115*80*80 Product Weight (Kg): Pallet Quantity: 28



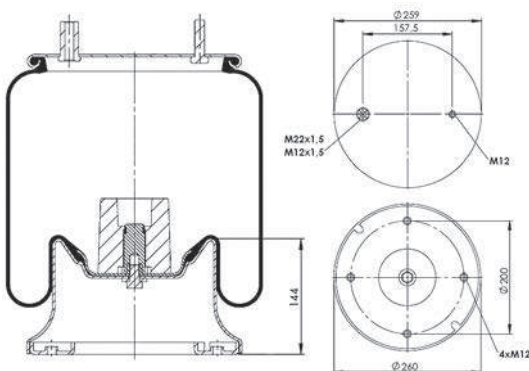
CROSS REFERENCES

OEM REFERENCES

SAMRO NEWAY FRUEHAUF H2501869 905 572 33 78580

1600-4157 T12

Pallet Size: 115*80*80 Product Weight (Kg): 9,67 Pallet Quantity: 28



CROSS REFERENCES

OEM REFERENCES

1600-4157 T13

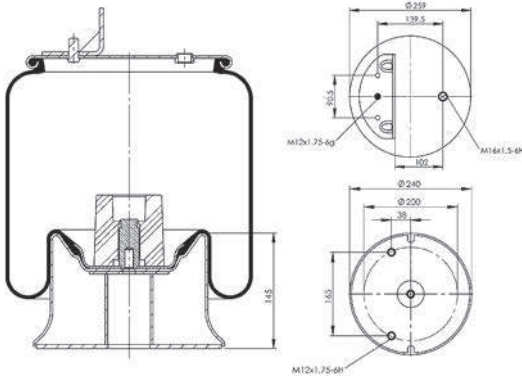
Pallet Size: 115*80*80 Product Weight (Kg): 10,80 Pallet Quantity: 28

CROSS REFERENCES

VIBRACOUSTIC V1 D23 G-4 WB

OEM REFERENCES

IVECO 504108867
HENDRICKSON H5508385



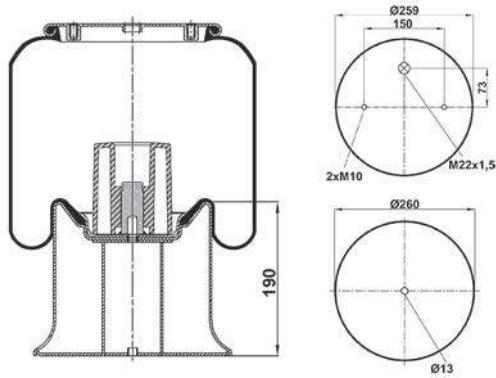
1600-4158 T

Pallet Size: 115*80*91 Product Weight (Kg): 11,66 Pallet Quantity: 28

CROSS REFERENCES

CONTITECH 4158 N P03**CA

OEM REFERENCES



1600-4158 PT3

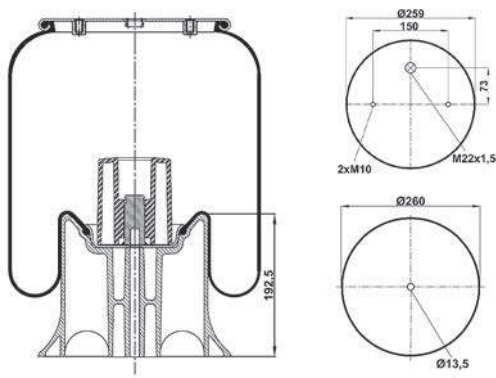
Pallet Size: 115*80*91 Product Weight (Kg): 7,48 Pallet Quantity: 28

CROSS REFERENCES

CONTITECH 4158 N P03

OEM REFERENCES

WEWELER US06285
SCHMITZ-ANHANGER 750999
SCHMITZ 14892



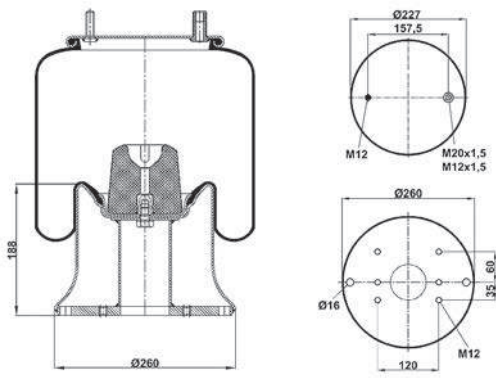
1600-4159 T

Pallet Size: 115*80*91 Product Weight (Kg): 11,09 Pallet Quantity: 28

CROSS REFERENCES

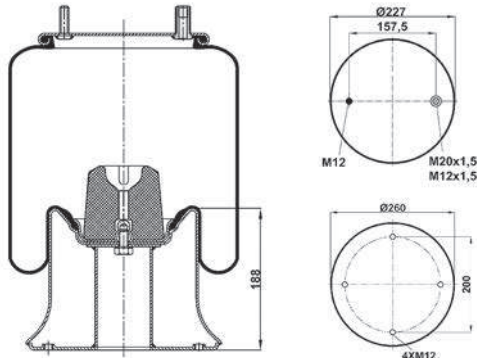
OEM REFERENCES

WABCO 951 811 003 0



1600-4159 T2

Pallet Size: 115*80*91 Product Weight (Kg): 11,29 Pallet Quantity: 28



CROSS REFERENCES

VIBRACOUSTIC
CONTITECH

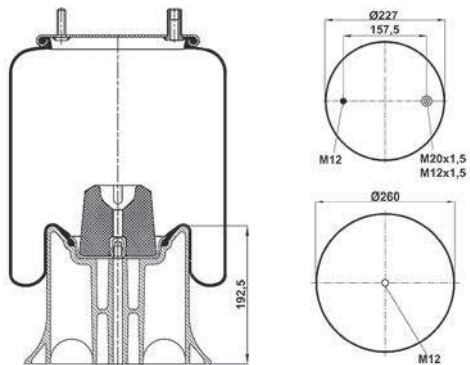
OEM REFERENCES

V 1 DK 23 L-40
4159 N P03

SAMRO 2500425

1600-4159 PT2

Pallet Size: 115*80*91 Product Weight (Kg): 7,14 Pallet Quantity: 28



CROSS REFERENCES

FIRESTONE
VIBRACOUSTIC
CONTITECH
FIRESTONE
GOODYEAR

W01-379-9131
W01-M58-9131
V1DK23L-9131
4159 N P09
1T15M-9
1R12-721

OEM REFERENCES

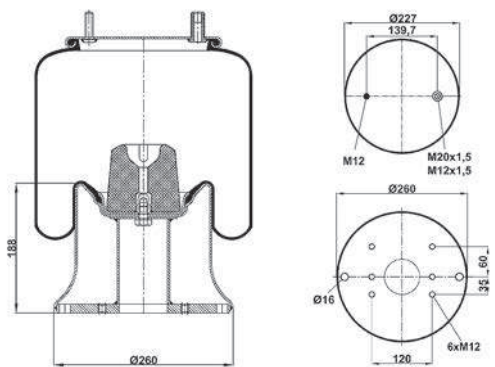
SAMRO
FRUEHAUF

CARDI
ACERBI

H2500324
M001774
UJB 0358-001
58051210
128147123

1600-4159 T3

Pallet Size: 115*80*91 Product Weight (Kg): 13,62 Pallet Quantity: 28



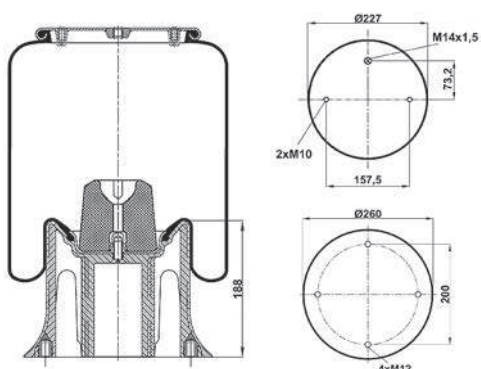
CROSS REFERENCES

FIRESTONE 1T15M-9

OEM REFERENCES

1600-4159 PT3

Pallet Size: 115*80*91 Product Weight (Kg): 6,76 Pallet Quantity: 28



CROSS REFERENCES

FIRESTONE
VIBRACOUSTIC
GOODYEAR
FIRESTONE
GOODYEAR

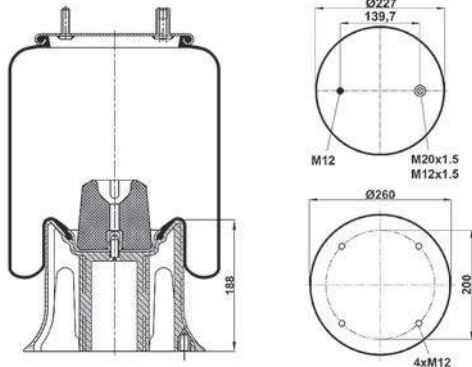
W01-M58-7308
V 1 DK 23 L-42
566-24-3-501
1T15M-9
1R12-713**CPL

OEM REFERENCES

SCANIA 1314905

1600-4159 PT4

Pallet Size: 115*80*91 Product Weight (Kg): 7,27 Pallet Quantity: 28



CROSS REFERENCES

FIRESTONE

W01-M58-9222
1T15M-9

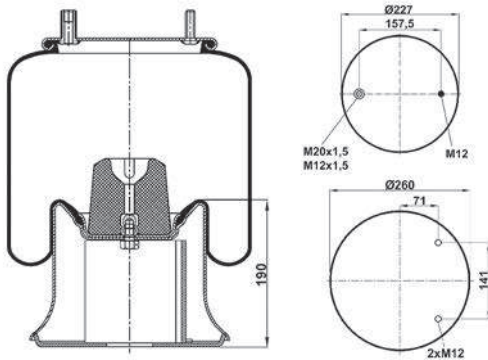
OEM REFERENCES

NEWAY

M00557007

1600-4159 T5

Pallet Size: 115*80*91 Product Weight (Kg): 11,72 Pallet Quantity: 28



CROSS REFERENCES

FIRESTONE
VIBRACOUSTIC
CONTITECH
FIRESTONE
GOODYEAR

W01-M58-8859
V 1 DK 21 B-9
4159 N P07
1T15M-9
1R12-702

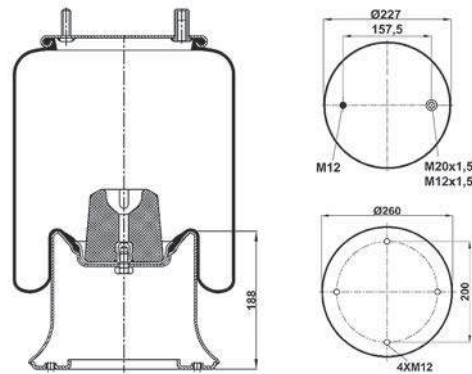
OEM REFERENCES

FRUEHAUF

202302
1524873
UJB0203-001

1600-4159 T6

Pallet Size: 115*80*91 Product Weight (Kg): 9,85 Pallet Quantity: 28



CROSS REFERENCES

CONTITECH
GOODYEAR

4159 N P14**CA
4159 N P06**CA
1R12-701

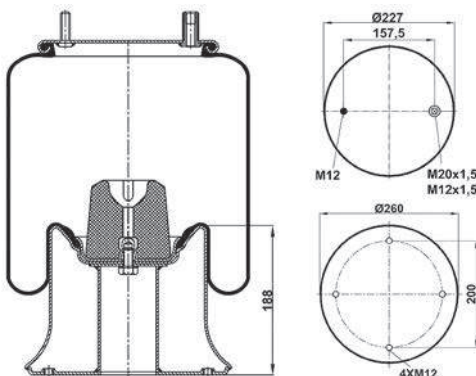
OEM REFERENCES

FRUEHAUF

M001782
UJA0894

1600-4159 T9

Pallet Size: 115*80*91 Product Weight (Kg): 10,98 Pallet Quantity: 28



CROSS REFERENCES

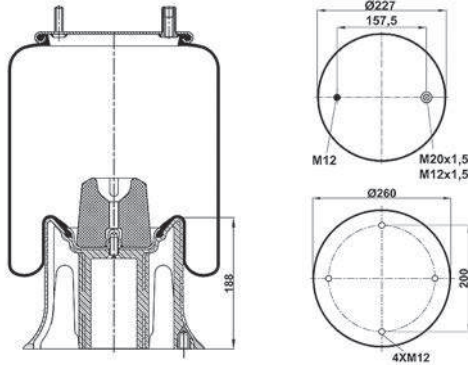
FIRESTONE

1T15M-9

OEM REFERENCES

1600-4159 PT10

Pallet Size: 115*80*91 Product Weight (Kg): 7,18 Pallet Quantity: 28



CROSS REFERENCES

FIRESTONE
CONTITECH

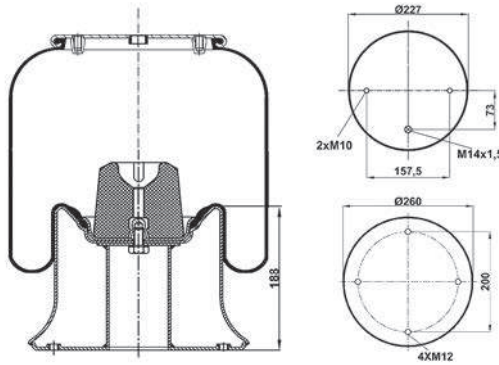
FIRESTONE
GOODYEAR

OEM REFERENCES

FRUEHAUF UJA0894-001

1600-4159 T12

Pallet Size: 115*80*91 Product Weight (Kg): 10,94 Pallet Quantity: 28



CROSS REFERENCES

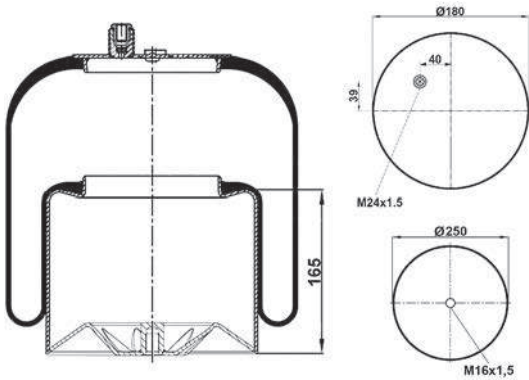
FIRESTONE
GOODYEAR

OEM REFERENCES

SCANIA 1327144

1600-4183 T

Pallet Size: 115*80*80 Product Weight (Kg): 9,00 Pallet Quantity: 22



CROSS REFERENCES

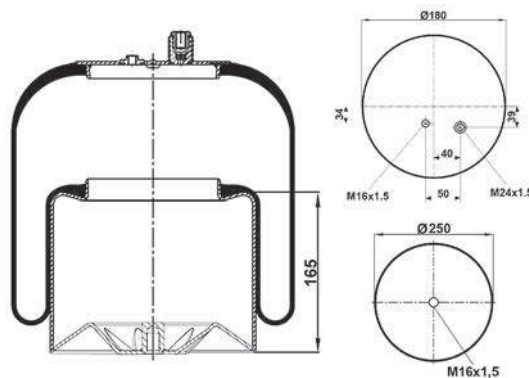
CONTITECH 4183 N P03 (Voss230)
4183 N P01 (Voss230)

OEM REFERENCES

MERCEDES-BENZ A9423201321

1600-4183 T2

Pallet Size: 115*80*80 Product Weight (Kg): 9,00 Pallet Quantity: 22



CROSS REFERENCES

CONTITECH 4183 N P04 (Voss230)
4183 N P02 (Voss230)

OEM REFERENCES

MERCEDES-BENZ A9423201421

1600-4183 T23

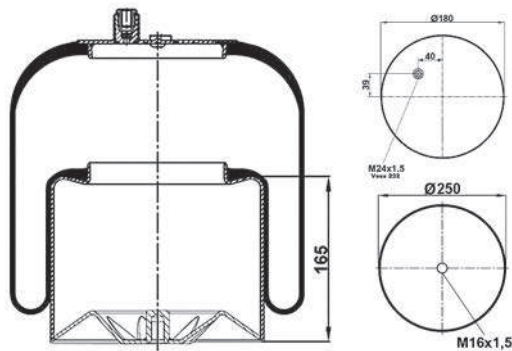
Pallet Size: 115*80*80 Product Weight (Kg): 9,00 Pallet Quantity: 22

CROSS REFERENCES

CONTITECH
 4183 N P25
 4183 N P23 (Voss 232)

OEM REFERENCES

MERCEDES-BENZ
 A 942 320 22 21



1600-4183 T24

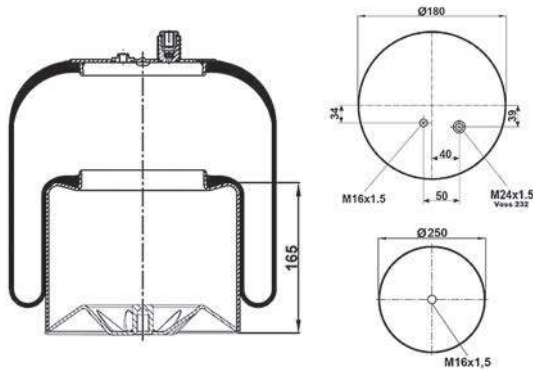
Pallet Size: 115*80*80 Product Weight (Kg): 9,00 Pallet Quantity: 22

CROSS REFERENCES

FIRESTONE
 CONTITECH
 W01-M58-0589
 4183 N P26
 4183 N P24 (Voss 232)

OEM REFERENCES

MERCEDES-BENZ
 A 942 320 23 21



1600-4185 T

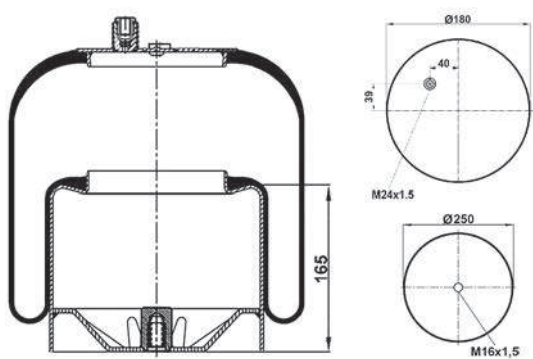
Pallet Size: 115*80*80 Product Weight (Kg): 9,05 Pallet Quantity: 22

CROSS REFERENCES

CONTITECH
 4185 N P01 (Voss230)

OEM REFERENCES

MERCEDES-BENZ
 A9743200021



1600-4185 T10

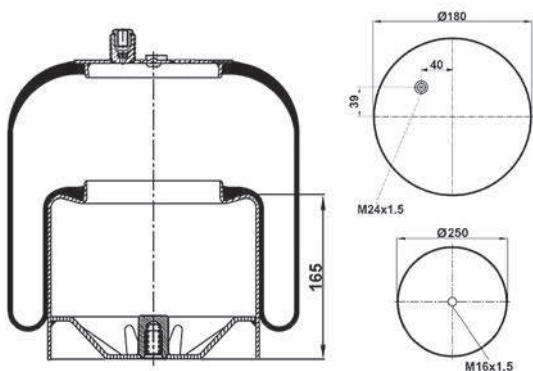
Pallet Size: 115*80*75 Product Weight (Kg): 8,91 Pallet Quantity: 22

CROSS REFERENCES

CONTITECH
 4185 N P21 (Voss232)

OEM REFERENCES

MERCEDES-BENZ
 A9423203021



1600-4186 T1

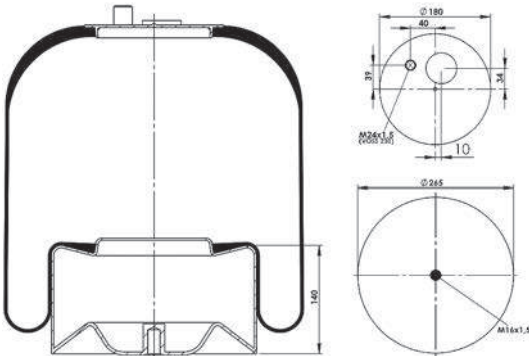
Pallet Size: 115*80*80 Product Weight (Kg): 9,17 Pallet Quantity: 22

CROSS REFERENCES

CONTITECH 4186 N P01 (Voss230)

OEM REFERENCES

DAIMLER CHRYSLER A 942 320 16 21


1600-4186 T2

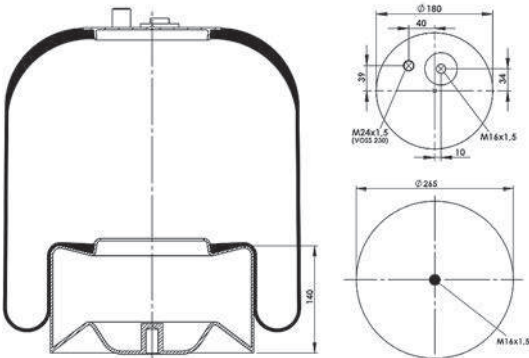
Pallet Size: 115*80*80 Product Weight (Kg): 9,00 Pallet Quantity: 22

CROSS REFERENCES

CONTITECH 4186 N P02 (Voss230)

OEM REFERENCES

DAIMLER CHRYSLER A 942 320 17 21

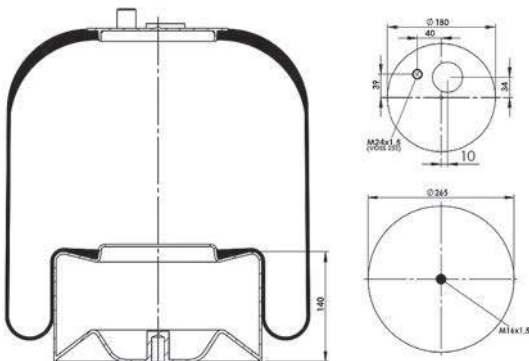

1600-4186 T3

Pallet Size: 115*80*80 Product Weight (Kg): 9,25 Pallet Quantity: 22

CROSS REFERENCES

 CONTITECH 4186 N P23 (Voss232)
 4186 N P21 (Voss232)

OEM REFERENCES

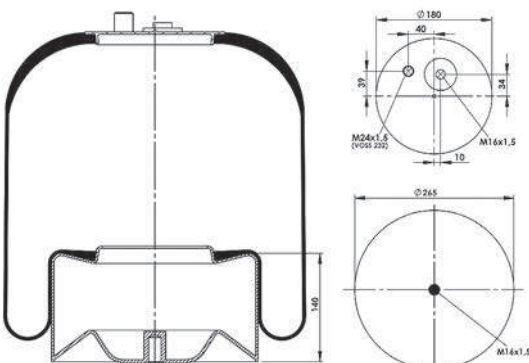
 DAIMLER CHRYSLER A 942 320 24 21
 A 942 320 70 21

1600-4186 T4

Pallet Size: 115*80*80 Product Weight (Kg): 9,05 Pallet Quantity: 22

CROSS REFERENCES

 CONTITECH 4186 N P24 (Voss232)
 4186 N P22 (Voss232)

OEM REFERENCES

 DAIMLER CHRYSLER A 942 320 25 21
 A 942 320 71 21


1600-4187 T

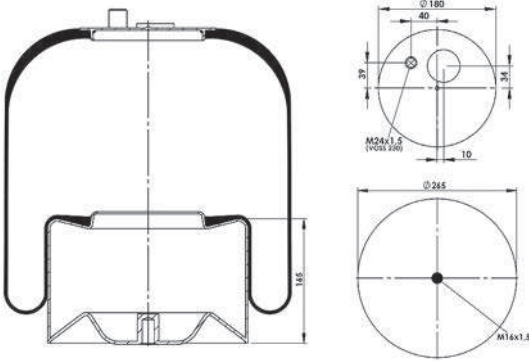
Pallet Size: 115*80*80 Product Weight (Kg): 9,76 Pallet Quantity: 22

CROSS REFERENCES

CONTITECH 4187 N P01 (Voss230)

OEM REFERENCES

DAIMLER CHRYSLER A 942 320 18 21
A9423201821



1600-4187 T1

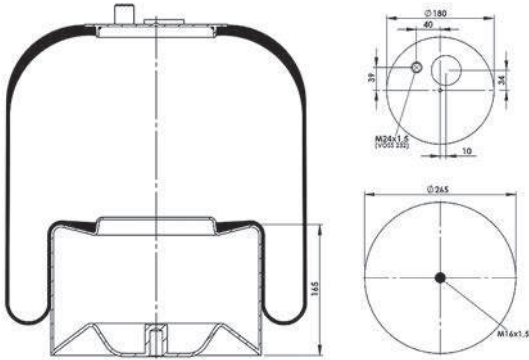
Pallet Size: 115*80*80 Product Weight (Kg): 9,75 Pallet Quantity: 22

CROSS REFERENCES

CONTITECH 4187 N P23 (Voss232)
4187 N P21 (Voss232)

OEM REFERENCES

DAIMLER CHRYSLER A 942 320 26 21
A 942 320 72 21



1600-4187 T2

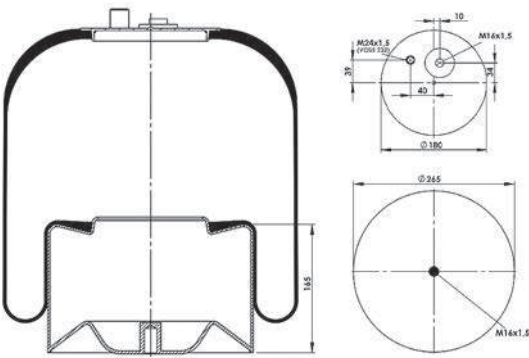
Pallet Size: 115*80*80 Product Weight (Kg): 9,72 Pallet Quantity: 22

CROSS REFERENCES

CONTITECH 4187 N P24 (Voss232)
4187 N P22 (Voss232)

OEM REFERENCES

DAIMLER CHRYSLER A 942 320 27 21
A 942 320 73 21



1600-4187 T3

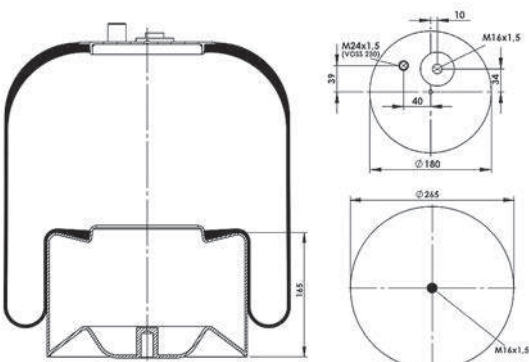
Pallet Size: 115*80*80 Product Weight (Kg): 9,70 Pallet Quantity: 22

CROSS REFERENCES

CONTITECH 4187 N P02 (Voss230)

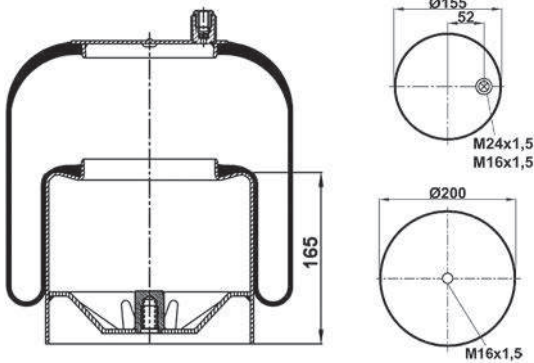
OEM REFERENCES

DAIMLER CHRYSLER A 942 320 19 21



1600-4390 T1

Pallet Size: 115*80*75 Product Weight (Kg): 6,70 Pallet Quantity: 30



CROSS REFERENCES

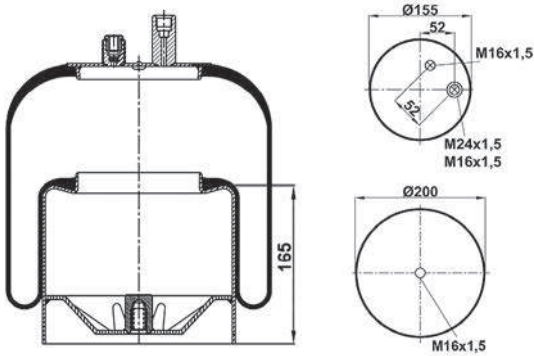
CONTITECH 4390 N P01 (Voss230)
GOODYEAR 9505

OEM REFERENCES

MERCEDES-BENZ A9423200121

1600-4390 T2

Pallet Size: 115*80*75 Product Weight (Kg): 6,86 Pallet Quantity: 30



CROSS REFERENCES

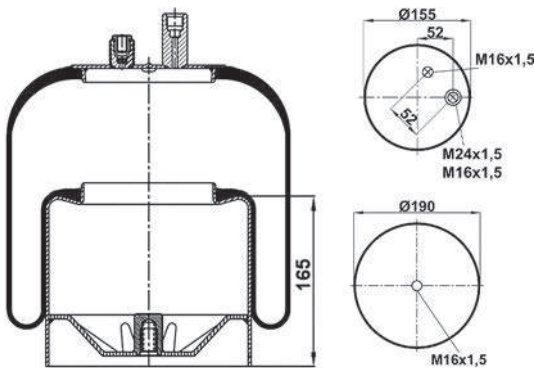
FIRESTONE W01-M58-8513
CONTITECH 4390 N P02 (Voss230)
GOODYEAR 9506

OEM REFERENCES

MERCEDES-BENZ A9423200221

1600-4390 T3

Pallet Size: 115*80*75 Product Weight (Kg): 6,67 Pallet Quantity: 30



CROSS REFERENCES

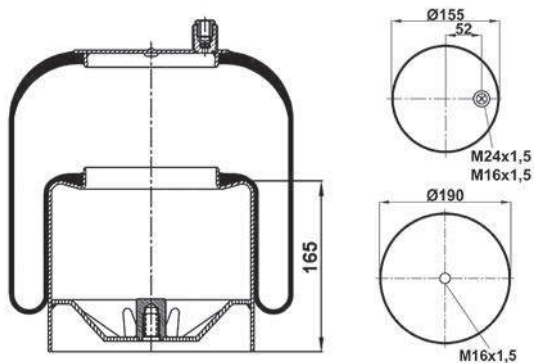
CONTITECH 4390 N P03 (Voss230)

OEM REFERENCES

MERCEDES-BENZ A9423200421

1600-4390 T4

Pallet Size: 115*80*75 Product Weight (Kg): 6,50 Pallet Quantity: 30



CROSS REFERENCES

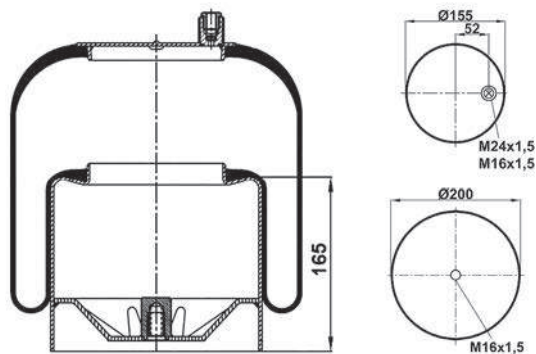
CONTITECH 4390 N P04 (Voss230)

OEM REFERENCES

MERCEDES-BENZ A9423200321

1600-4390 T10

Pallet Size: 115*80*75 Product Weight (Kg): 6,61 Pallet Quantity: 30



CROSS REFERENCES

FIRESTONE
VIBRACOUSTIC
CONTITECH

W01-M58-8514
V1KF21-1
4390 N P21 (Voss232)

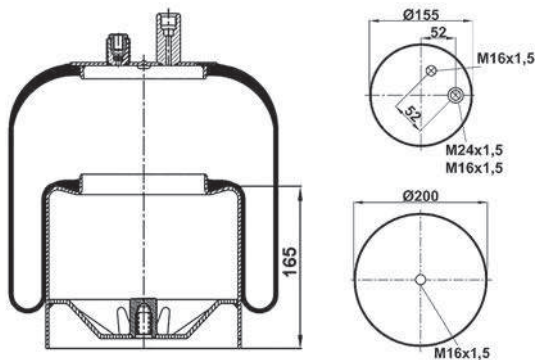
OEM REFERENCES

MERCEDES-BENZ

A9423202821
A9423204921

1600-4390 T20

Pallet Size: 115*80*75 Product Weight (Kg): 6,90 Pallet Quantity: 30



CROSS REFERENCES

VIBRACOUSTIC
CONTITECH

V1KF21-2
4390 N P22 (Voss232)

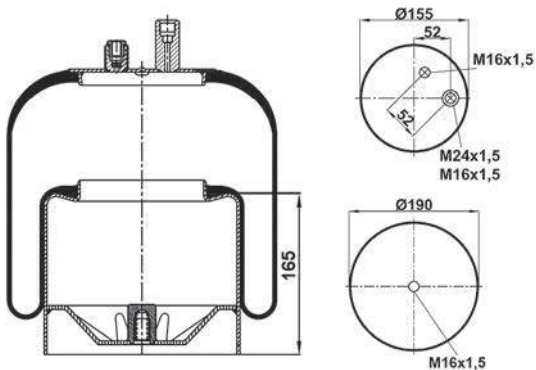
OEM REFERENCES

MERCEDES-BENZ

A9423202921
A9423205021

1600-4390 T30

Pallet Size: 115*80*75 Product Weight (Kg): 6,36 Pallet Quantity: 30



CROSS REFERENCES

CONTITECH

4390 N P23 (Voss232)

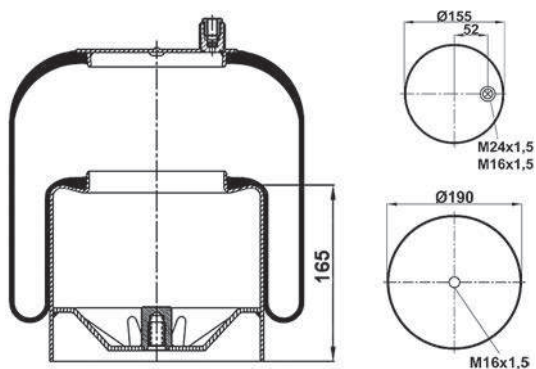
OEM REFERENCES

MERCEDES-BENZ

A9423205221

1600-4390 T40

Pallet Size: 115*80*75 Product Weight (Kg): 6,50 Pallet Quantity: 30



CROSS REFERENCES

CONTITECH

4390 N P24 (Voss232)

OEM REFERENCES

MERCEDES-BENZ

A9423205121

1600-4391 T1

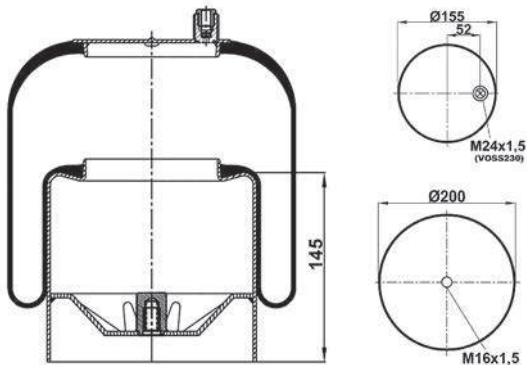
Pallet Size: 115*80*75 Product Weight (Kg): 6,07 Pallet Quantity: 30

CROSS REFERENCES

CONTITECH 4391 N P01 (Voss230)

OEM REFERENCES

MERCEDES-BENZ A9423200621



1600-4391 T2

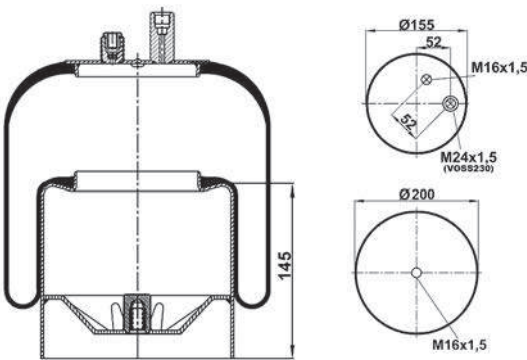
Pallet Size: 115*80*75 Product Weight (Kg): 6,60 Pallet Quantity: 30

CROSS REFERENCES

CONTITECH 4391 N P02 (Voss230)

OEM REFERENCES

MERCEDES-BENZ A9423200721



1600-4391 T21

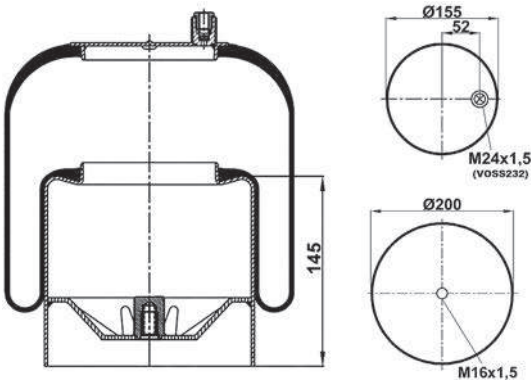
Pallet Size: 115*80*75 Product Weight (Kg): 6,08 Pallet Quantity: 30

CROSS REFERENCES

CONTITECH 4391 N P21

OEM REFERENCES

MERCEDES A 942 320 53 21



1600-4391 T22

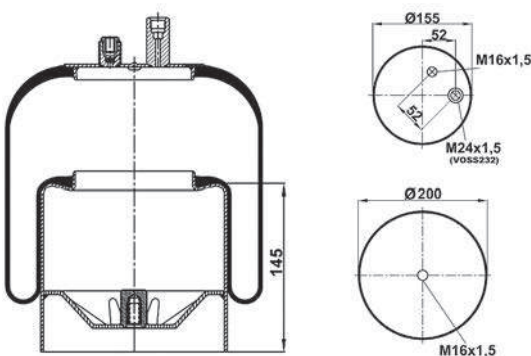
Pallet Size: 115*80*75 Product Weight (Kg): 6,60 Pallet Quantity: 30

CROSS REFERENCES

CONTITECH 4391 N P22

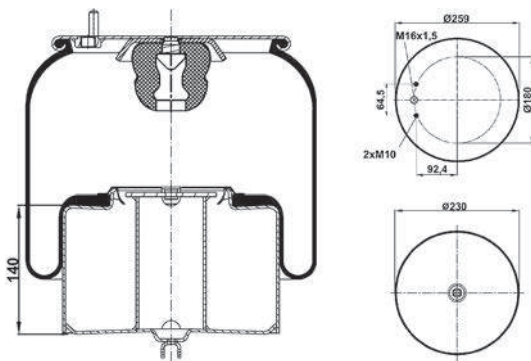
OEM REFERENCES

MERCEDES A 942 320 54 21



1600-4420 T

Pallet Size: 115*80*75 Product Weight (Kg): 9,16 Pallet Quantity: 24



CROSS REFERENCES

FIRESTONE
CONTITECH
FIRESTONE

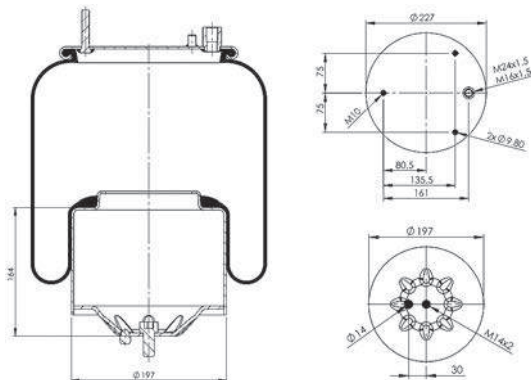
W01-M58-9707
4420 N P01
1T17BR-8

OEM REFERENCES

VOLVO
1076075
1076076
20554756

1600-4560 T

Pallet Size: 115*80*80 Product Weight (Kg): 7,22 Pallet Quantity: 30



CROSS REFERENCES

CONTITECH

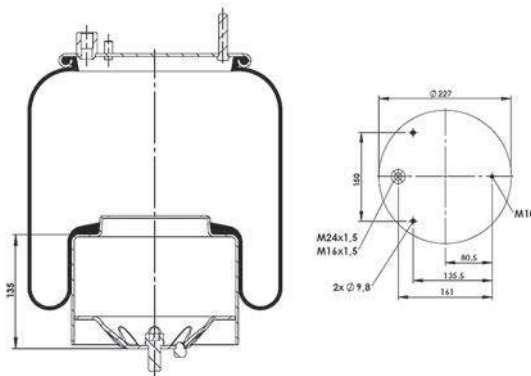
4560 N P02

OEM REFERENCES

VOLVO
21 224 745
22 058 737

1600-4561 T

Pallet Size: 115*80*80 Product Weight (Kg): Pallet Quantity: 30



CROSS REFERENCES

CONTITECH

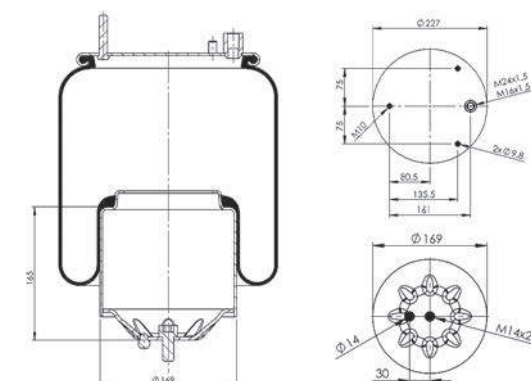
4561 N P02

OEM REFERENCES

VOLVO
21224746
22058738

1600-4570 T

Pallet Size: 115*80*80 Product Weight (Kg): 6,44 Pallet Quantity: 30



CROSS REFERENCES

CONTITECH

4570 N P02

OEM REFERENCES

VOLVO
21 224 749
22 058 741

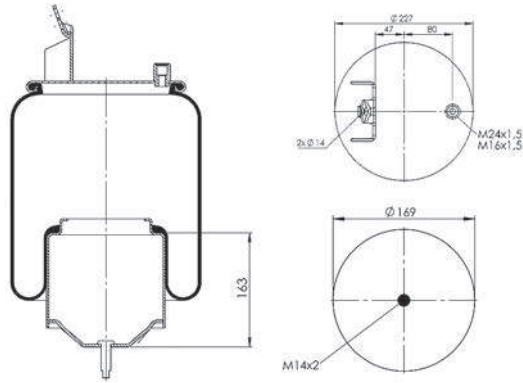
1600-4570 T3

Pallet Size: 115*80*80 Product Weight (Kg): 6,71 Pallet Quantity: 30

CROSS REFERENCES

CONTITECH 4570 N P03

OEM REFERENCES

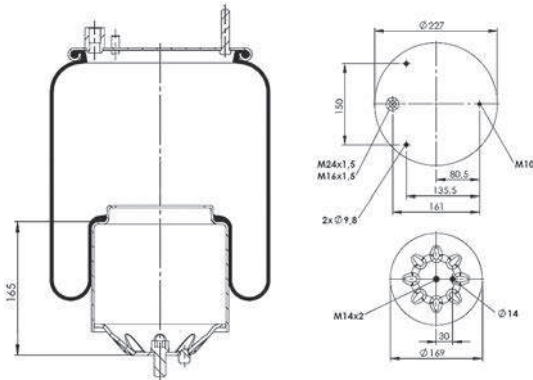
 VOLVO 21961456
6135230599-2

1600-4571 T

Pallet Size: 115*80*80 Product Weight (Kg): Pallet Quantity: 30

CROSS REFERENCES

CONTITECH 4571 N P02

OEM REFERENCES

 VOLVO 21224750
22056630

1600-4644 T

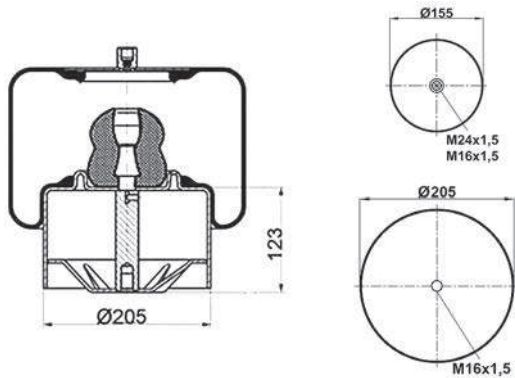
Pallet Size: 115*80*75 Product Weight (Kg): 7,33 Pallet Quantity: 30

CROSS REFERENCES

CONTITECH 4644 N P02 (Voss230)

OEM REFERENCES

EVO-BUS A6293200025


1600-4644 T22

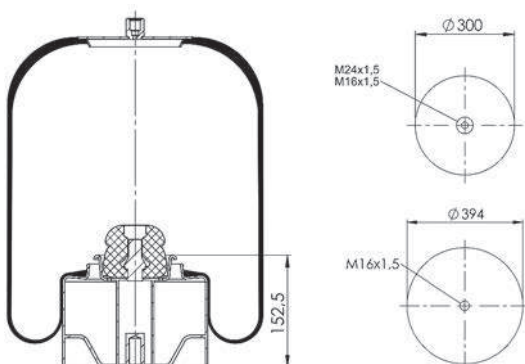
Pallet Size: 115*80*75 Product Weight (Kg): 7,14 Pallet Quantity: 30

CROSS REFERENCES

 VIBRACOUSTIC V1KE22-1
CONTITECH 4644 N P22 (VOSS 232)

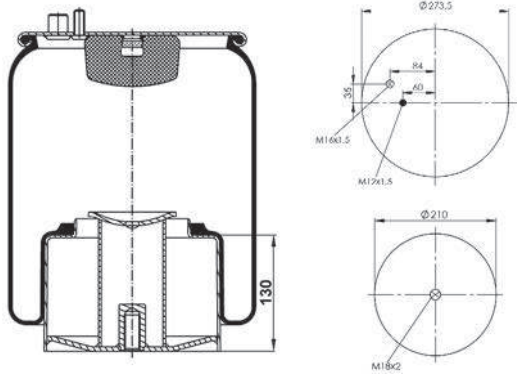
OEM REFERENCES

EVO-BUS A 629 320 00 25



1600-4705 T3

Pallet Size: 115*80*91 Product Weight (Kg): 10,28 Pallet Quantity: 24



CROSS REFERENCES

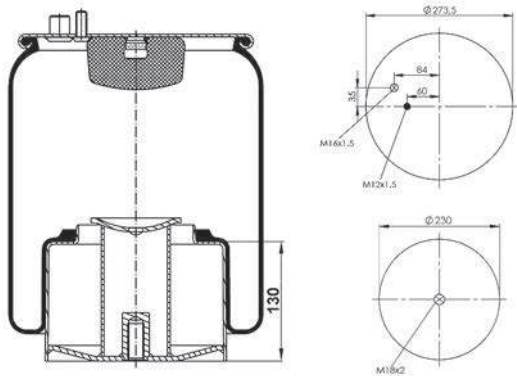
CONTITECH 4705 N1 P03

OEM REFERENCES

MAN 81436006039

1600-4705 T4

Pallet Size: 115*80*91 Product Weight (Kg): 10,30 Pallet Quantity: 24



CROSS REFERENCES

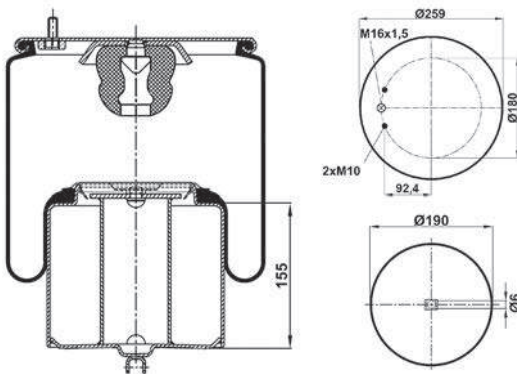
CONTITECH 4705 N1 P04

OEM REFERENCES

MAN 81436006040

1600-4713 T2

Pallet Size: 115*80*75 Product Weight (Kg): 8,79 Pallet Quantity: 28



CROSS REFERENCES

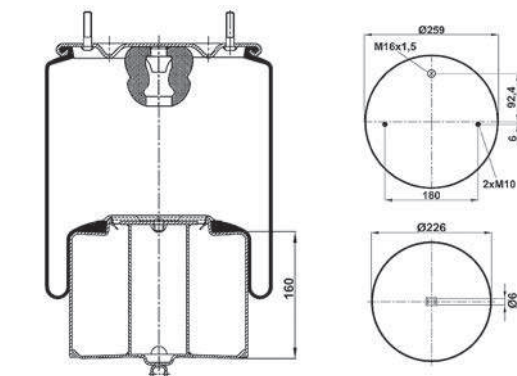
FIRESTONE W01-M58-9706
CONTITECH 4713 N P02
GOODYEAR 1R12-762

OEM REFERENCES

VOLVO 1076594
20554755

1600-4718 T1

Pallet Size: 115*80*80 Product Weight (Kg): 9,95 Pallet Quantity: 28



CROSS REFERENCES

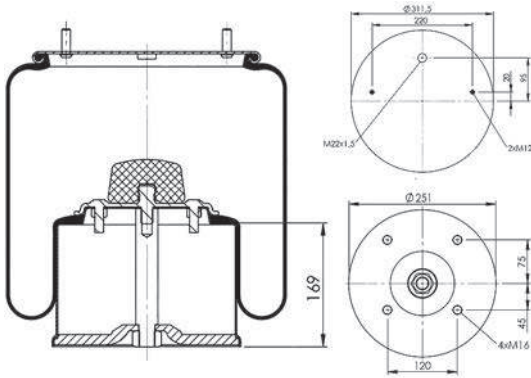
CONTITECH 4718 N P01

OEM REFERENCES

VOLVO 1075363
1629718
20 542 136
20554759

1600-4725 T

Pallet Size: 115*80*91 Product Weight (Kg): 16,25 Pallet Quantity: 22

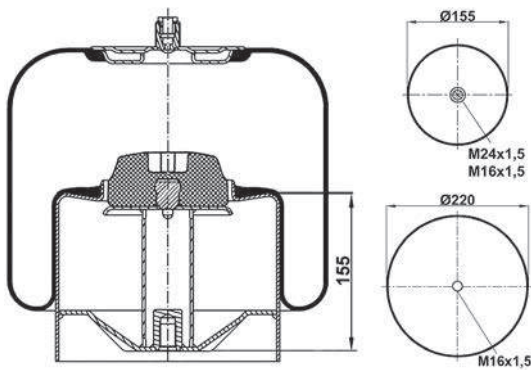


CROSS REFERENCES

OEM REFERENCES

1600-4737 T1

Pallet Size: 115*80*80 Product Weight (Kg): 8,86 Pallet Quantity: 28



CROSS REFERENCES

OEM REFERENCES

CONTITECH

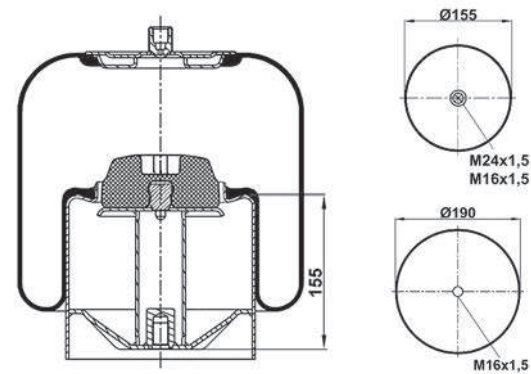
4737 N P01 (Voss230)

MERCEDES-BENZ

A9463200321

1600-4737 T2

Pallet Size: 115*80*80 Product Weight (Kg): 8,38 Pallet Quantity: 28



CROSS REFERENCES

OEM REFERENCES

CONTITECH

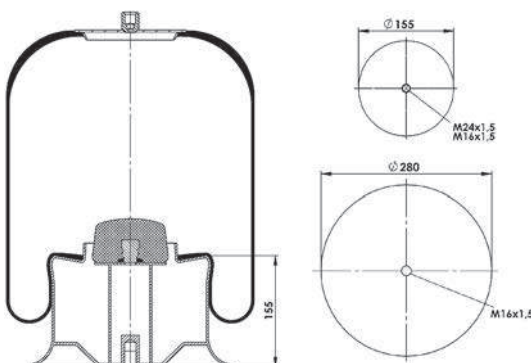
4737 N P02 (Voss230)

MERCEDES-BENZ

A9463200521

1600-4737 T5

Pallet Size: 115*80*80 Product Weight (Kg): 16,10 Pallet Quantity: 24



CROSS REFERENCES

OEM REFERENCES

CONTITECH

4737 N P05 (Voss230)

MERCEDES

A9573200117

1600-4737 T10

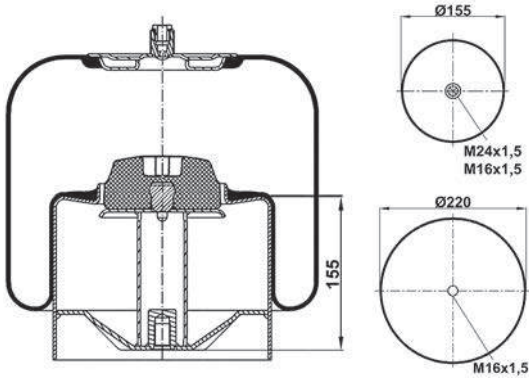
Pallet Size: 115*80*80 Product Weight (Kg): 9,34 Pallet Quantity: 28

CROSS REFERENCES

CONTITECH 4737 N P21 (Voss232)

OEM REFERENCES

MERCEDES-BENZ A9423203721



1600-4737 T20

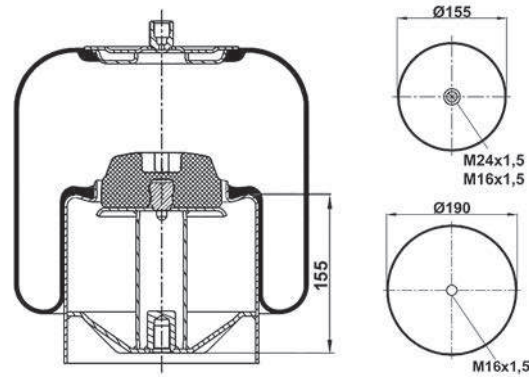
Pallet Size: 115*80*80 Product Weight (Kg): 7,61 Pallet Quantity: 28

CROSS REFERENCES

CONTITECH 4737 N P22 (Voss232)

OEM REFERENCES

MERCEDES-BENZ A9423203921



1600-4737 T25

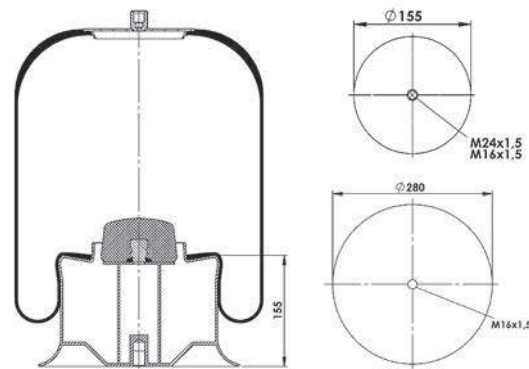
Pallet Size: 115*80*80 Product Weight (Kg): 16,10 Pallet Quantity: 24

CROSS REFERENCES

CONTITECH 4737 N P25 (Voss232)

OEM REFERENCES

MERCEDES A9573200317



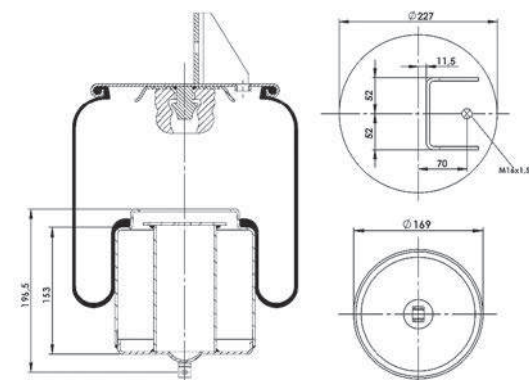
1600-4753 T

Pallet Size: 115*80*80 Product Weight (Kg): 7,86 Pallet Quantity: 30

CROSS REFERENCES

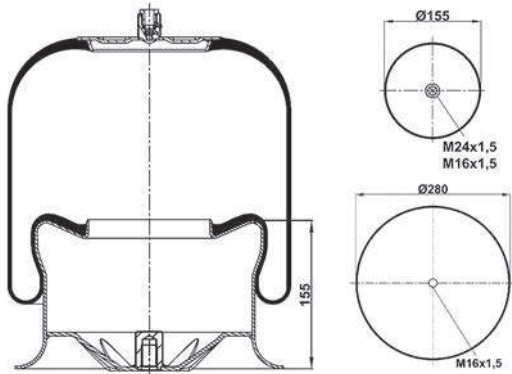
OEM REFERENCES

VOLVO
20 452 472
20 554 753
3 987 630



1600-4757 T1

Pallet Size: 115*80*91 Product Weight (Kg): 7,87 Pallet Quantity: 24



CROSS REFERENCES

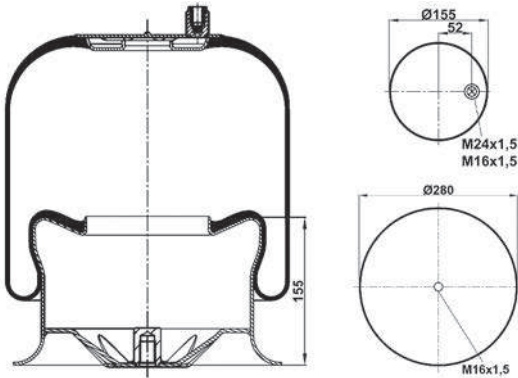
CONTITECH 4757 N P01 (Voss230)

OEM REFERENCES

MERCEDES-BENZ A9423200117

1600-4757 T2

Pallet Size: 115*80*91 Product Weight (Kg): 7,60 Pallet Quantity: 24



CROSS REFERENCES

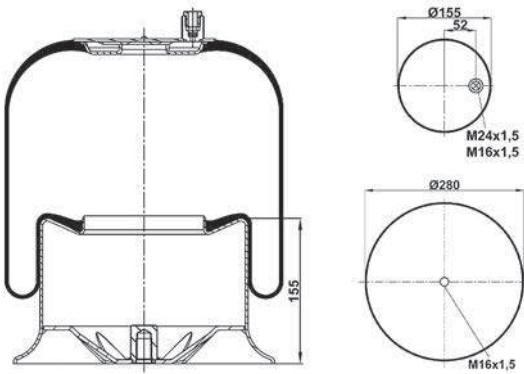
CONTITECH 4757 N P02 (Voss230)

OEM REFERENCES

MERCEDES-BENZ A9463200217
A9743200217

1600-4757 T9

Pallet Size: 115*80*91 Product Weight (Kg): 7,31 Pallet Quantity: 24



CROSS REFERENCES

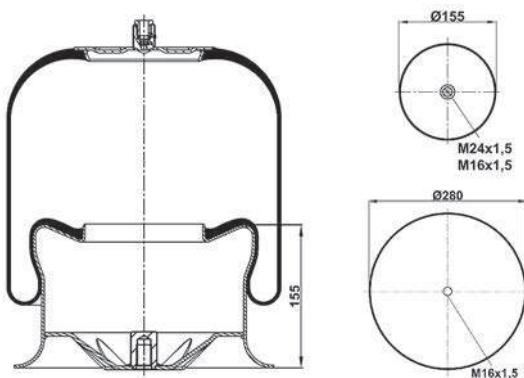
CONTITECH 4757 N P09 (Voss230)

OEM REFERENCES

MERCEDES-BENZ A9463200417
A9743200417
MERCEDES A 9743204321

1600-4757 T10

Pallet Size: 115*80*91 Product Weight (Kg): 7,87 Pallet Quantity: 24



CROSS REFERENCES

CONTITECH 4757 N P21 (Voss232)
GOODYEAR 9519

OEM REFERENCES

MERCEDES-BENZ A9423204321
A9463204321

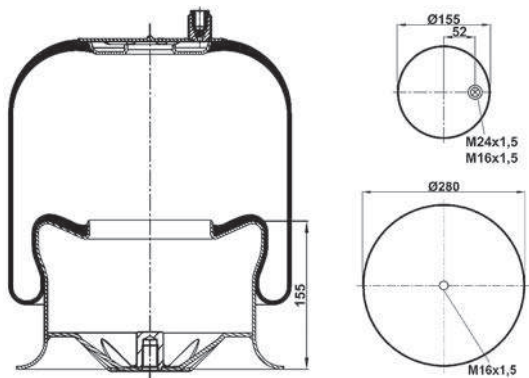
1600-4757 T20

Pallet Size: 115*80*91 Product Weight (Kg): 8,14 Pallet Quantity: 24

CROSS REFERENCES

CONTITECH 4757 N P22 (Voss232)

OEM REFERENCES



1600-4757 T90

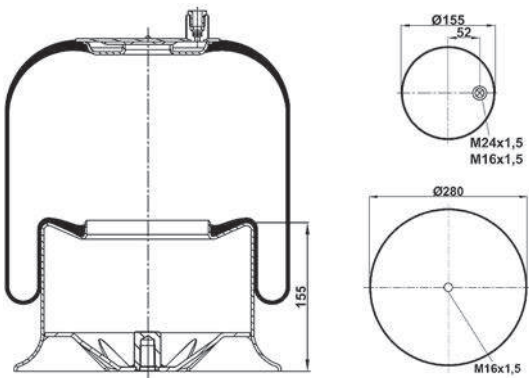
Pallet Size: 115*80*91 Product Weight (Kg): 7,87 Pallet Quantity: 24

CROSS REFERENCES

CONTITECH 4757 N P29 (Voss232)

OEM REFERENCES

MERCEDES-BENZ A9423203221
A9463203221



1600-4758 T1

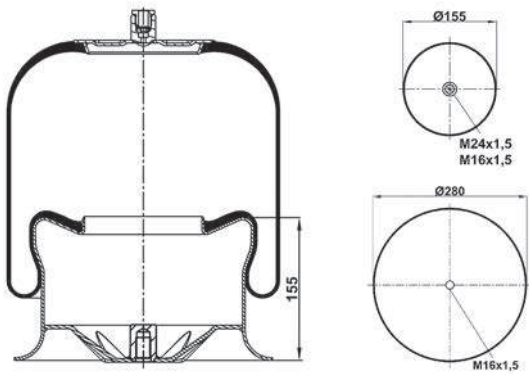
Pallet Size: 115*80*91 Product Weight (Kg): 7,92 Pallet Quantity: 28

CROSS REFERENCES

CONTITECH 4758 N P01 (Voss230)

OEM REFERENCES

MERCEDES-BENZ A9453200017



1600-4758 T10

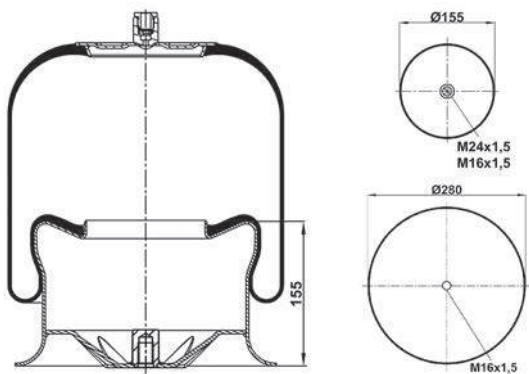
Pallet Size: 115*80*91 Product Weight (Kg): 7,70 Pallet Quantity: 28

CROSS REFERENCES

CONTITECH 4758 N P21 (Voss232)

OEM REFERENCES

MERCEDES-BENZ A9423204821



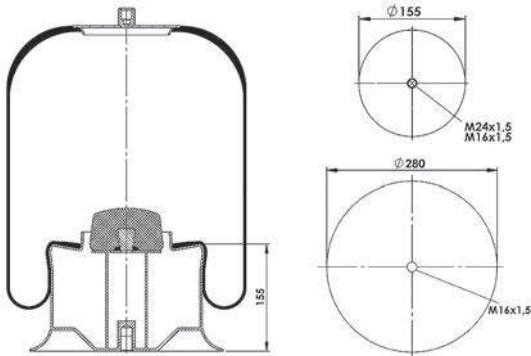
1600-4758 T23

Pallet Size: 115*80*91 Product Weight (Kg): Pallet Quantity: 28

CROSS REFERENCES

CONTITECH 4758 N P23

OEM REFERENCES

 MERCEDES-BENZ A 942 320 06 17
 A 942 320 33 21

1600-4759 T

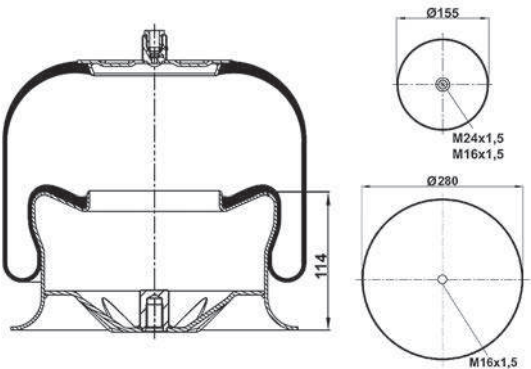
Pallet Size: 115*80*80 Product Weight (Kg): 7,11 Pallet Quantity: 28

CROSS REFERENCES

CONTITECH 4759 N P01 (Voss232)

OEM REFERENCES

BPW A9423200217


1600-4759 T10

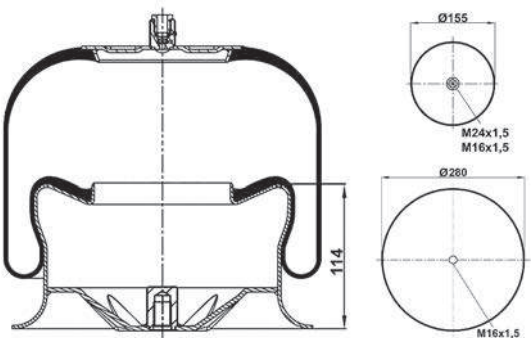
Pallet Size: 115*80*80 Product Weight (Kg): 6,94 Pallet Quantity: 28

CROSS REFERENCES

CONTITECH 4759 N P21 (Voss232)

OEM REFERENCES

MERCEDES-BENZ A9423204421


1600-4786 T

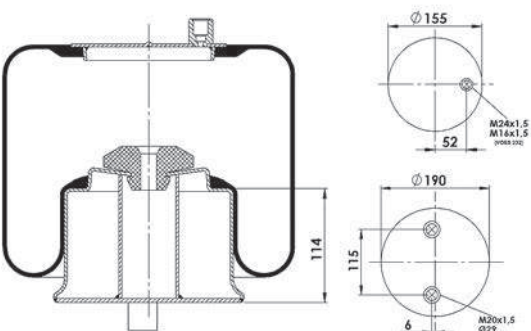
Pallet Size: 115*80*75 Product Weight (Kg): 6,15 Pallet Quantity: 30

CROSS REFERENCES

CONTITECH 4786 N P21 (VOSS 232)

OEM REFERENCES

MERCEDES A 942 320 45 21



1600-4786 T1

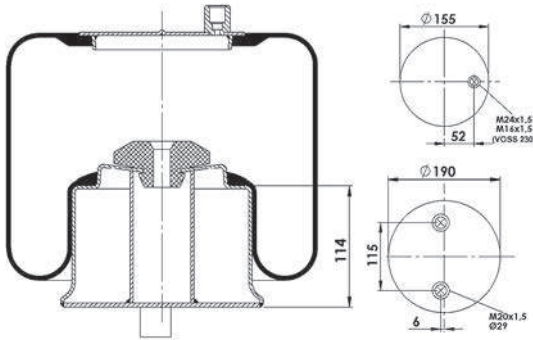
Pallet Size: 115*80*75 Product Weight (Kg): 6,15 Pallet Quantity: 30

CROSS REFERENCES

CONTITECH 4786 N P01 (VOSS 230)

OEM REFERENCES

MERCEDES-BENZ A 974 320 00 17
MERCEDES A 974 320 01 17



1600-4786 T2

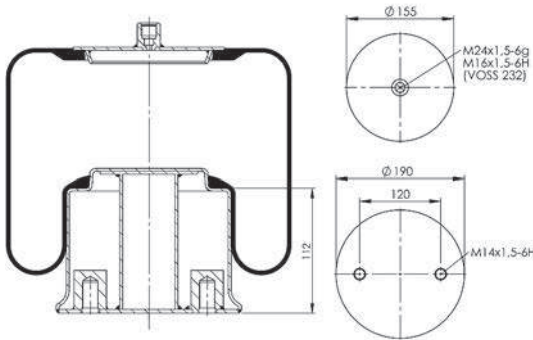
Pallet Size: 115*80*75 Product Weight (Kg): 5,66 Pallet Quantity: 30

CROSS REFERENCES

CONTITECH 4786 N P02

OEM REFERENCES

MERCEDES-BENZ A 444 320 02 17



1600-4810 T5

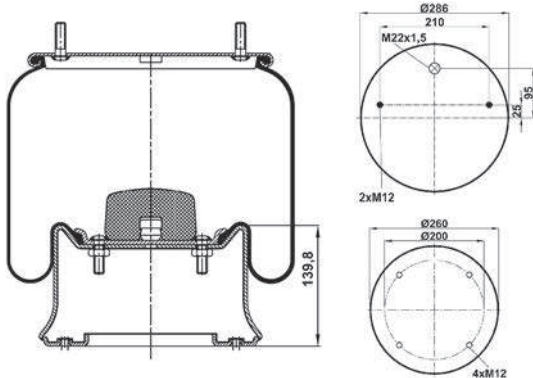
Pallet Size: 115*80*75 Product Weight (Kg): 10,86 Pallet Quantity: 24

CROSS REFERENCES

FIRESTONE W01-M58-6338
VIBRACOUSTIC V1D28A-10
CONTITECH 4810 N P05
FIRESTONE 1T19L-7
GOODYEAR 1R14-730

OEM REFERENCES

SAF 3228002700
3.229.002700
3.229.212700
3.229.222700



1600-4810 T8

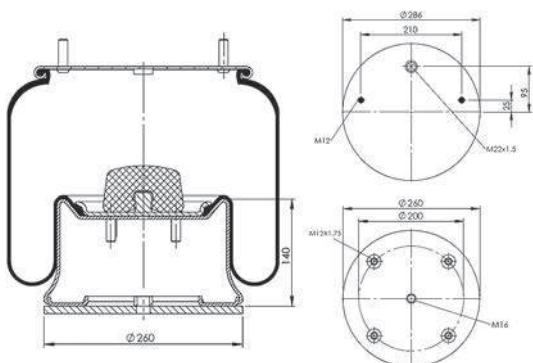
Pallet Size: 115*80*80 Product Weight (Kg): 15,04 Pallet Quantity: 24

CROSS REFERENCES

CONTITECH 4810 N P08

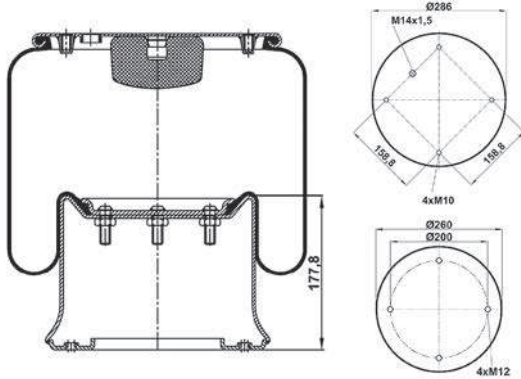
OEM REFERENCES

SAF HOLLAND 2918V P04 Intra
3.228.1027.00
2918 V P04 Intra



1600-4813 T7

Pallet Size: 115*80*91 Product Weight (Kg): 11,93 Pallet Quantity: 24



CROSS REFERENCES

FIRESTONE
VIBRACOUSTIC
CONTITECH
FIRESTONE
GOODYEAR

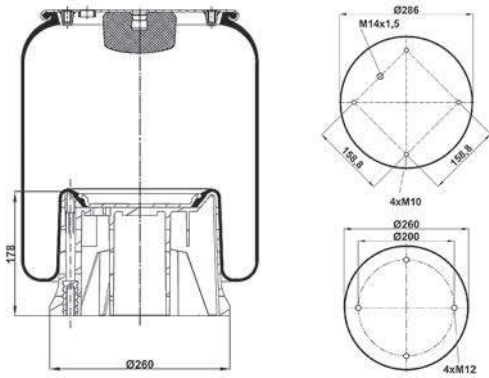
W01-M58-7358
V1D28B-9
4813 N P07
1T19L-11
1R14-727

OEM REFERENCES

SCANIA/SCANIA BUSSAR 255293
1107674
1314906
255295
298568
325748
SCANIA 1865755
SAF 3.229.0005.00

1600-4813 PT7

Pallet Size: 11,93 Product Weight (Kg): 9,62 Pallet Quantity: 24



CROSS REFERENCES

FIRESTONE
CONTITECH
FIRESTONE
GOODYEAR

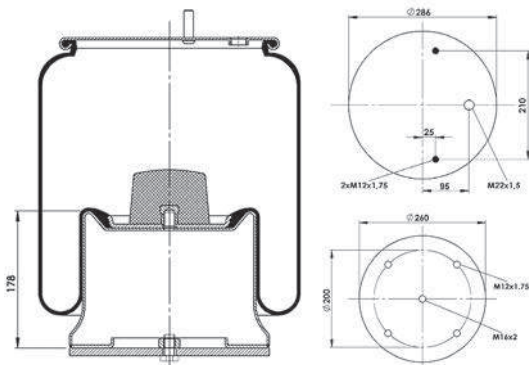
W01-M58-7358**CPL
4813 N P07**CPL
1T19L-11
1R14-727**CPL

OEM REFERENCES

SCANIA/SCANIA BUSSAR 255293
1107674
1314906
255295
298568
325748
SCANIA 1865755
SAF 3.229.0005.00

1600-4815 T

Pallet Size: 115*80*91 Product Weight (Kg): 16,10 Pallet Quantity: 24



CROSS REFERENCES

GOODYEAR

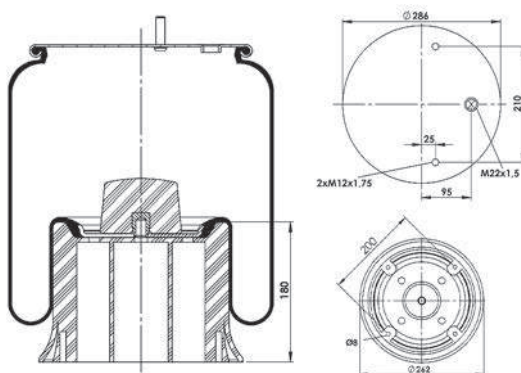
1R14-815

OEM REFERENCES

SAF 2923VK 3.229.0028.00 Intra
2924V 3.229.0041.00

1600-4815 PTA

Pallet Size: 115*80*91 Product Weight (Kg): 9,65 Pallet Quantity: 24



CROSS REFERENCES

OEM REFERENCES

SAF 2923 VK
3.229.0028.00

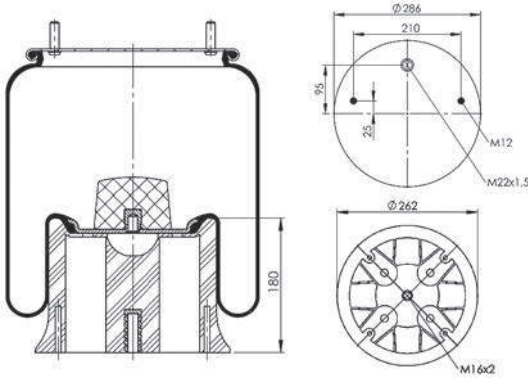
1600-4815 PT2

Pallet Size: 115*80*91 Product Weight (Kg): 9,72 Pallet Quantity: 24

CROSS REFERENCES

OEM REFERENCES

SAF 2924V
3.229.0041.00



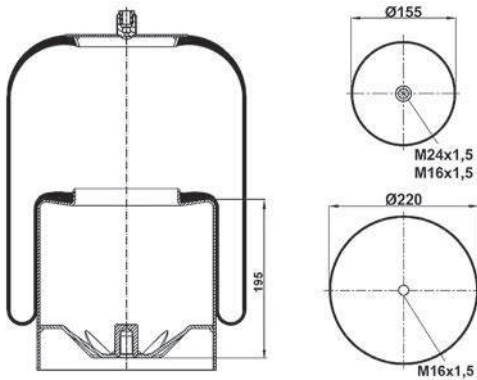
1600-4838 T1

Pallet Size: 115*80*91 Product Weight (Kg): 8,88 Pallet Quantity: 28

CROSS REFERENCES

OEM REFERENCES

CONTITECH 4838 N P01 (Voss230) MERCEDES-BENZ A9463200421



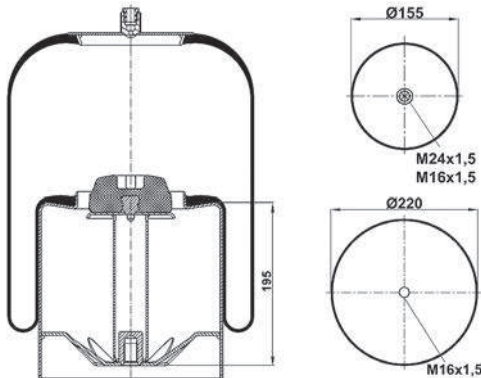
1600-4838 T2

Pallet Size: 115*80*91 Product Weight (Kg): 10,33 Pallet Quantity: 28

CROSS REFERENCES

OEM REFERENCES

CONTITECH 4838 N P02 (Voss230) MERCEDES-BENZ A9463200221



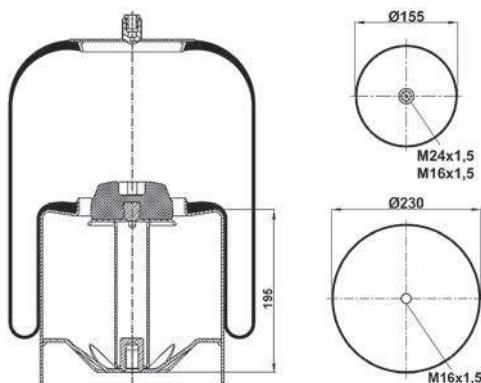
1600-4838 T3

Pallet Size: 115*80*91 Product Weight (Kg): 10,09 Pallet Quantity: 28

CROSS REFERENCES

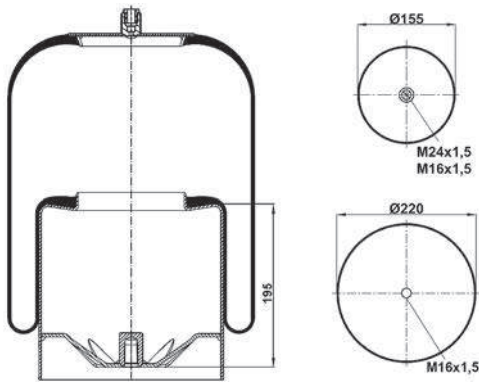
OEM REFERENCES

CONTITECH 4838 N P03 (Voss230) MERCEDES-BENZ A9463200121



1600-4838 T10

Pallet Size: 115*80*91 Product Weight (Kg): 8,60 Pallet Quantity: 28



CROSS REFERENCES

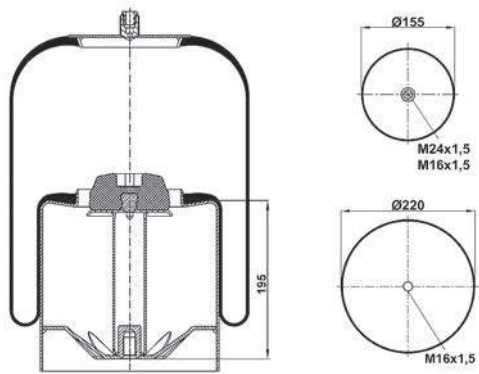
CONTITECH 4838 N P21 (Voss232)

OEM REFERENCES

MERCEDES-BENZ A9423203821

1600-4838 T20

Pallet Size: 115*80*91 Product Weight (Kg): 10,09 Pallet Quantity: 28



CROSS REFERENCES

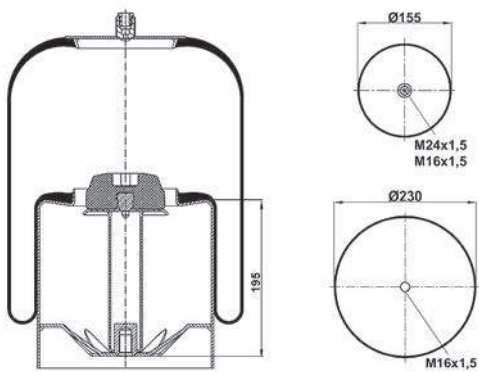
CONTITECH 4838 N P22 (Voss232)

OEM REFERENCES

MERCEDES-BENZ A9423203621

1600-4838 T30

Pallet Size: 115*80*91 Product Weight (Kg): 10,34 Pallet Quantity: 28



CROSS REFERENCES

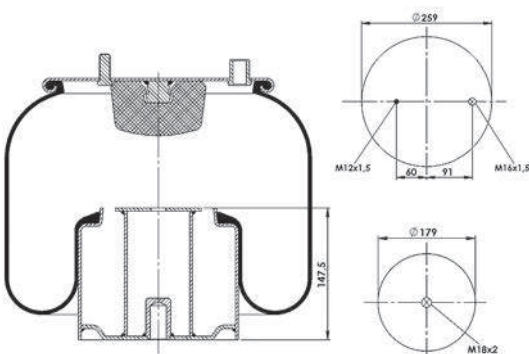
CONTITECH 4838 N P23 (Voss232)

OEM REFERENCES

MERCEDES-BENZ A9423203521

1600-4862 T

Pallet Size: 115*80*91 Product Weight (Kg): 8,11 Pallet Quantity: 28



CROSS REFERENCES

VIBRACOUSTIC
CONTITECH

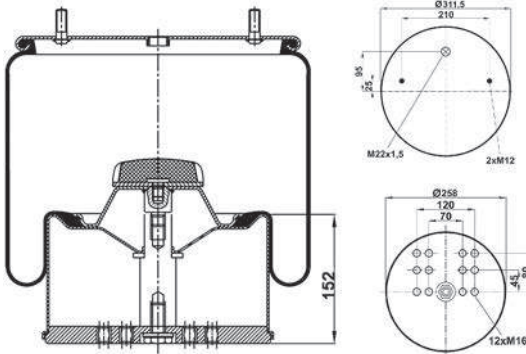
V1DF16B-1
4862 N1 P02

OEM REFERENCES

MAN 81436006049

1600-4881 T1

Pallet Size: 115*80*80 Product Weight (Kg): 15,86 Pallet Quantity: 22



CROSS REFERENCES

FIRESTONE
VIBRACOUSTIC
CONTITECH
CONTITECH
FIRESTONE

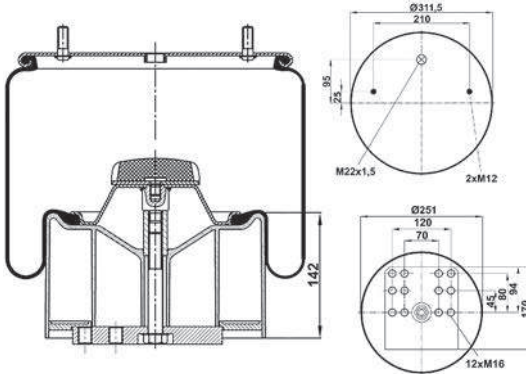
W01-M58-8602
V1DK32K-01
4881 N P02**CA
4881 N P03
1T66D-7.0

OEM REFERENCES

BPW
05.429.41.22.1
05.429.41.31.1
BPW36K**CA

1600-4881 PT1

Pallet Size: 115*80*80 Product Weight (Kg): 12,43 Pallet Quantity: 22



CROSS REFERENCES

FIRESTONE
FIRESTONE

CONTITECH
CONTITECH
FIRESTONE
GOODYEAR

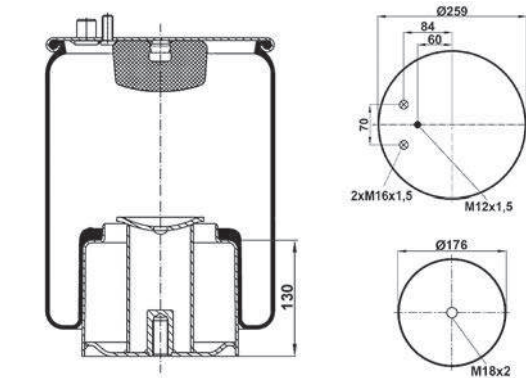
W01-M58-8602**CPL
W01-M58-8666
(Opposite Position)
4881 N P02**CPL
4881 N P30
1T66D-7.0
1R14-757**CPL

OEM REFERENCES

BPW
05.429.43.41.0
BPW36K
05.801.21.29.0

1600-4882 T5

Pallet Size: 115*80*80 Product Weight (Kg): 8,37 Pallet Quantity: 28



CROSS REFERENCES

FIRESTONE
CONTITECH

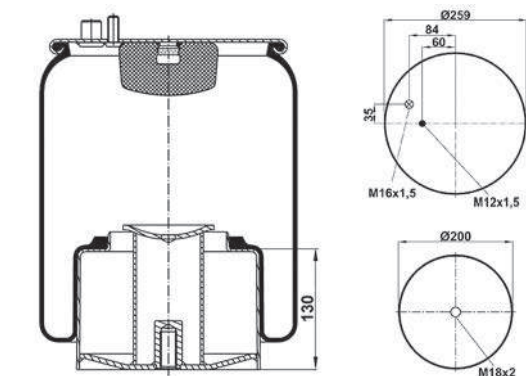
W01-M58-9880
4882 N1 P05

OEM REFERENCES

MAN
81436006036

1600-4883 T7

Pallet Size: 115*80*80 Product Weight (Kg): 3,32 Pallet Quantity: 28



CROSS REFERENCES

CONTITECH

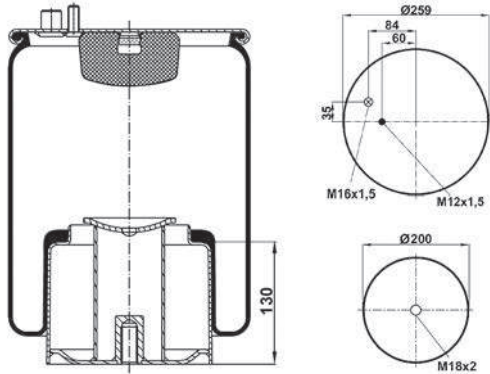
4883 N1 P06
4883 N1 P07

OEM REFERENCES

MAN
81436006037
81436006038

1600-4884 T6

Pallet Size: 115*80*80 Product Weight (Kg): 8,91 Pallet Quantity: 28



CROSS REFERENCES

FIRESTONE
CONTITECH

W01-M58-9879
4884 N1 P06

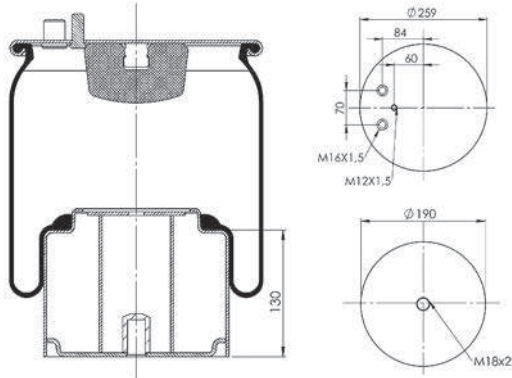
OEM REFERENCES

MAN

81436006035

1600-4884 T7

Pallet Size: 115*80*80 Product Weight (Kg): Pallet Quantity: 28



CROSS REFERENCES

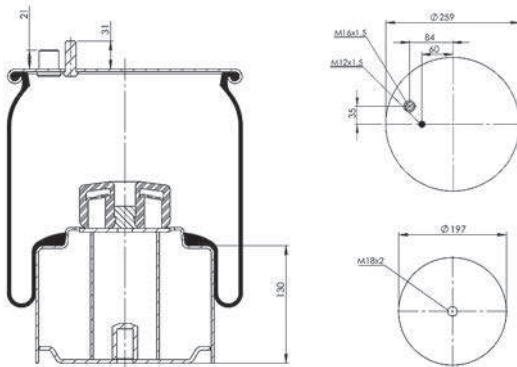
OEM REFERENCES

MAN TGA

81436006041

1600-4884 T9

Pallet Size: 115*80*80 Product Weight (Kg): Pallet Quantity: 28



CROSS REFERENCES

CONTITECH

4884 N1 P09

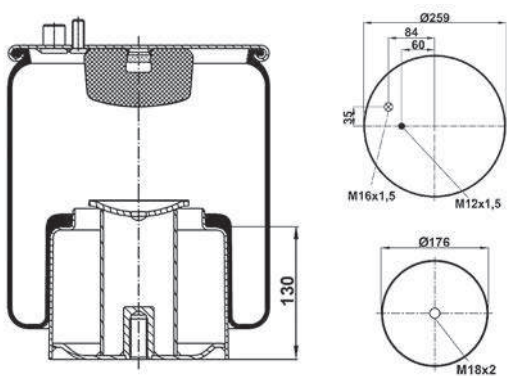
OEM REFERENCES

MAN

81436006002

1600-4885 T

Pallet Size: 115*80*91 Product Weight (Kg): 8,26 Pallet Quantity: 28



CROSS REFERENCES

CONTITECH

4885 N1 P02

OEM REFERENCES

MAN

81436006044

1600-4886 T

Pallet Size: 115*80*80 Product Weight (Kg): 8,89 Pallet Quantity: 28

CROSS REFERENCES

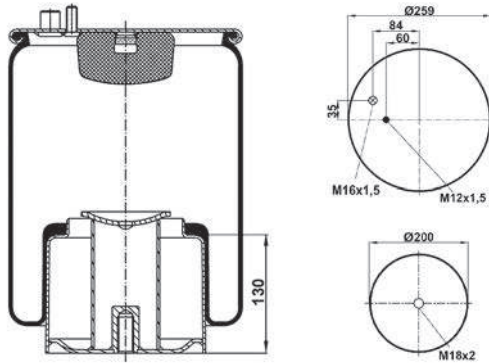
CONTITECH

4886 N P01

OEM REFERENCES

MAN

1436006046



1600-4887 T10

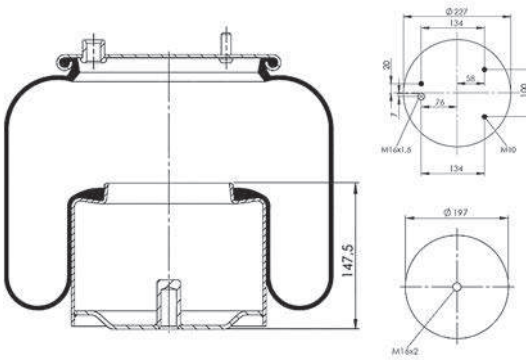
Pallet Size: 115*80*75 Product Weight (Kg): 6,72 Pallet Quantity: 28

CROSS REFERENCES

FIRESTONE

W01-M58-8681

OEM REFERENCES



1600-4911 T3

Pallet Size: 115*80*91 Product Weight (Kg): 13,50 Pallet Quantity: 24

CROSS REFERENCES

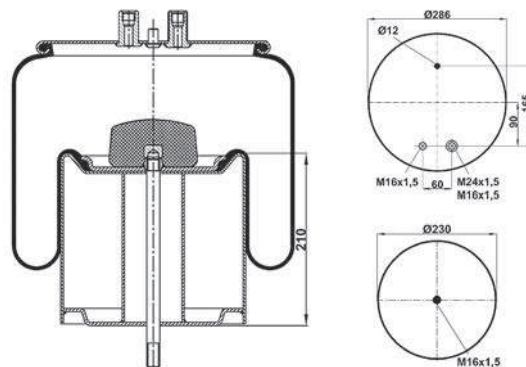
CONTITECH

4911 N P03

OEM REFERENCES

RENAULT V.I

5010294308C



1600-4911 T4

Pallet Size: 115*80*91 Product Weight (Kg): 13,28 Pallet Quantity: 24

CROSS REFERENCES

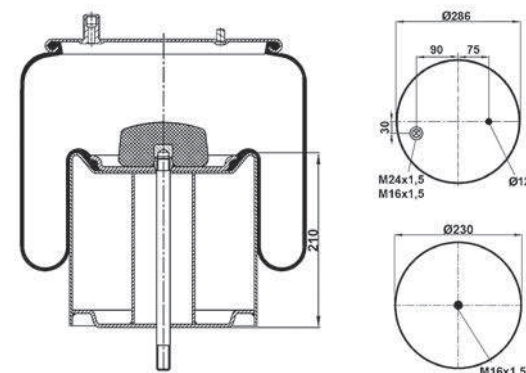
CONTITECH

4911 N P04

OEM REFERENCES

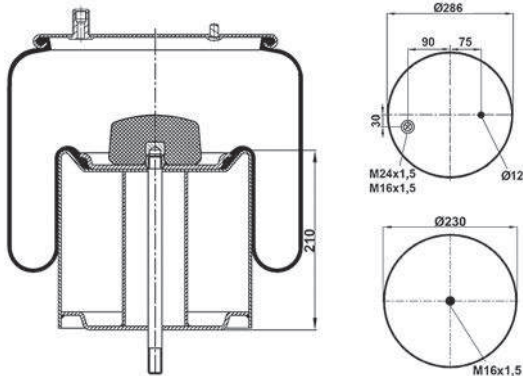
RENAULT

5010557356



1600-4911 T6

Pallet Size: 115*80*91 Product Weight (Kg): 13,40 Pallet Quantity: 24


CROSS REFERENCES

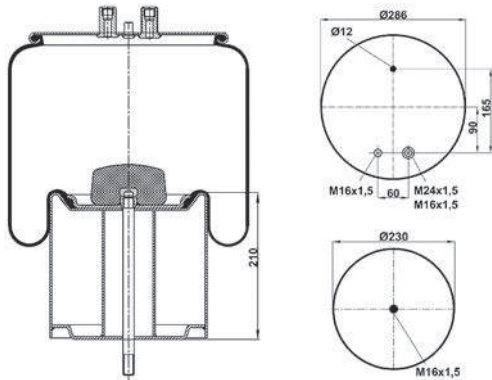
CONTITECH 4911 N P06

OEM REFERENCES

 VOLVO 20 726 769
 RENAULT 5010600439

1600-4912 T5

Pallet Size: 115*80*91 Product Weight (Kg): 13,63 Pallet Quantity: 24


CROSS REFERENCES

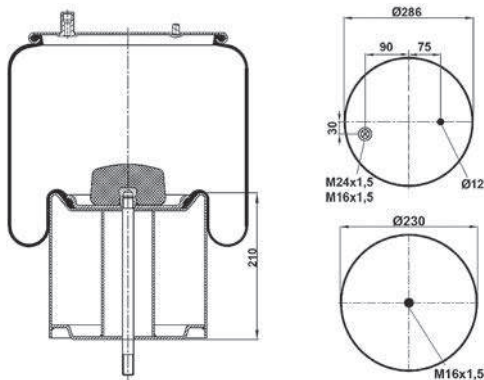
 FIRESTONE W01-M58-8786
 VIBRACOUSTIC V1DK28F-4
 CONTITECH 4912 N P07
 FIRESTONE 1T19L-14
 GOODYEAR 1R13-711

OEM REFERENCES

 RENAULT V.I 5010294307C
 RENAULT 50 10 239 213

1600-4912 T10

Pallet Size: 115*80*91 Product Weight (Kg): 13,70 Pallet Quantity: 24


CROSS REFERENCES

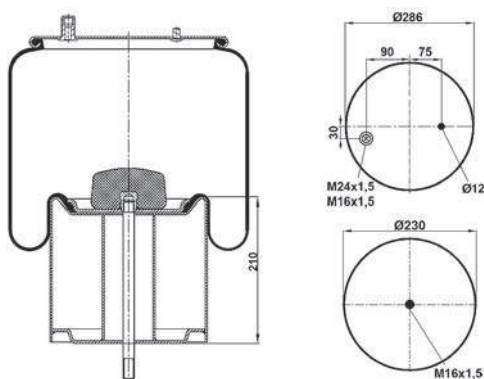
CONTITECH 4912 N P10

OEM REFERENCES

RENAULT 5010557355

1600-4912 T13

Pallet Size: 115*80*91 Product Weight (Kg): 13,70 Pallet Quantity: 24


CROSS REFERENCES

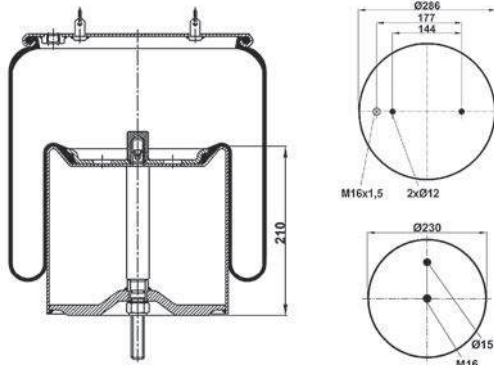
CONTITECH 4912 N P13

OEM REFERENCES

 VOLVO 20726768
 RENAULT 5010600328

1600-4913 T2

Pallet Size: 115*80*80 Product Weight (Kg): 12,46 Pallet Quantity: 24



CROSS REFERENCES

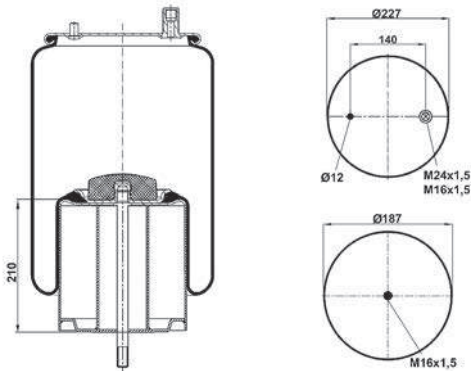
FIRESTONE W01-M58-8098
 CONTITECH 4913 N P02
 FIRESTONE 1T19F-14 W01-095-0366
 GOODYEAR 1R14-753

OEM REFERENCES

SCANIA 1379392
 1440294
 1731113

1600-4915 T1

Pallet Size: 115*80*80 Product Weight (Kg): 10,74 Pallet Quantity: 28



CROSS REFERENCES

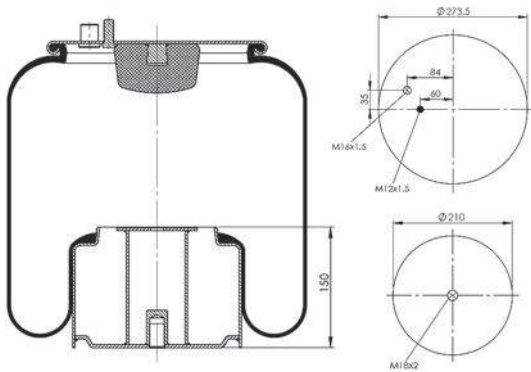
VIBRACOUSTIC V1DK19-1
 CONTITECH 4915 N P06

OEM REFERENCES

VOLVO 20 757 541
 22 025 613
 RENAULT V.I 5001488070
 5010294309

1600-4916 T

Pallet Size: 115*80*80 Product Weight (Kg): 10 Pallet Quantity: 28



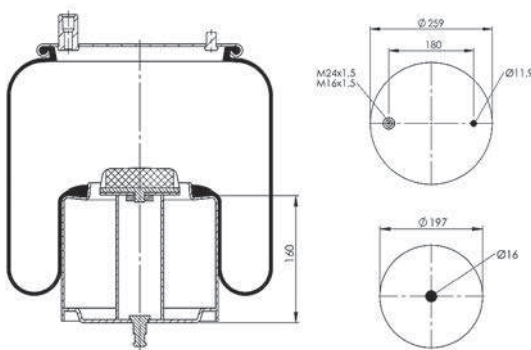
CROSS REFERENCES

CONTITECH 4916 N1 P07

OEM REFERENCES

1600-4919 T

Pallet Size: 115*80*91 Product Weight (Kg): 8,75 Pallet Quantity: 24



CROSS REFERENCES

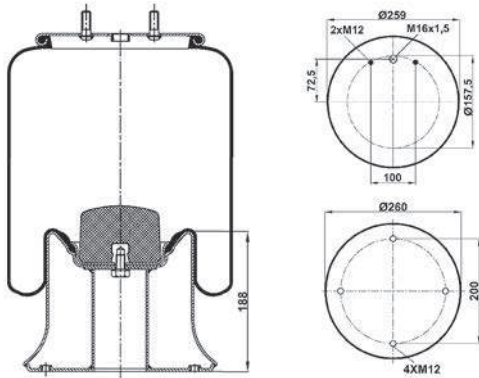
CONTITECH 4919 N P01

OEM REFERENCES

VOLVO 20 735 220
 RENAULT 5010557622

1600-4922 T

Pallet Size: 115*80*80 Product Weight (Kg): 9,90 Pallet Quantity: 28

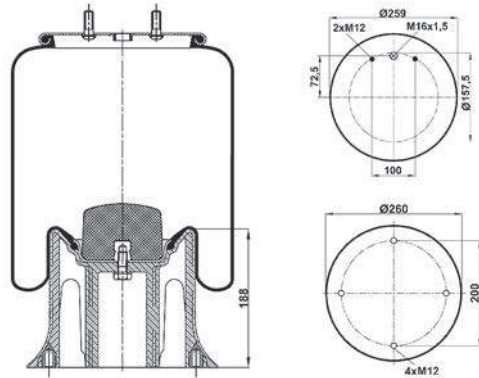


CROSS REFERENCES

OEM REFERENCES

1600-4922 PT

Pallet Size: 115*80*80 Product Weight (Kg): 7,37 Pallet Quantity: 28



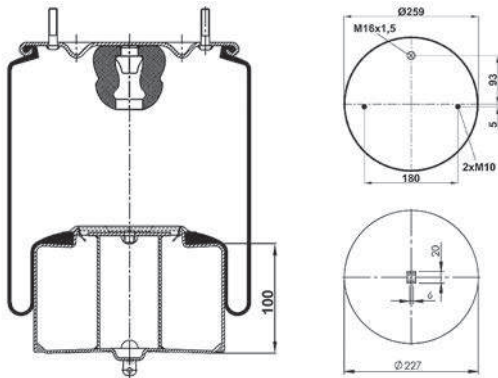
CROSS REFERENCES

OEM REFERENCES

CONTITECH 4922 MB RENAULT V.I 5010600262

1600-4925 T

Pallet Size: 115*80*80 Product Weight (Kg): 7,76 Pallet Quantity: 24

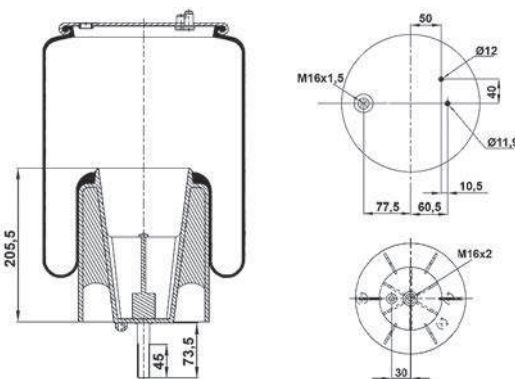


CROSS REFERENCES

OEM REFERENCES

1600-4930 PT

Pallet Size: 115*80*80 Product Weight (Kg): 5,07 Pallet Quantity: 30



CROSS REFERENCES

OEM REFERENCES

FIRESTONE W01-M58-8653 SCANIA 1434930

1600-4933 T

Pallet Size: 115*80*91 Product Weight (Kg): 10,13 Pallet Quantity: 24

CROSS REFERENCES

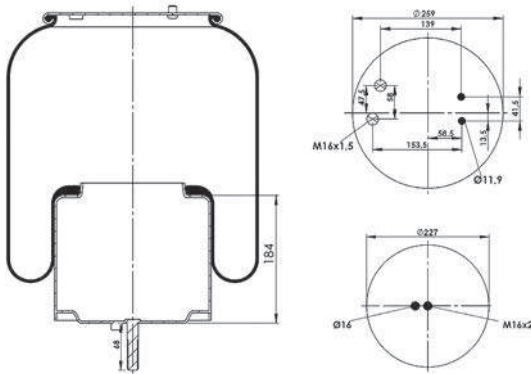
FIRESTONE

W01-M58-8633
1T17HR-8

OEM REFERENCES

SCANIA

1434933



1600-4940 T2

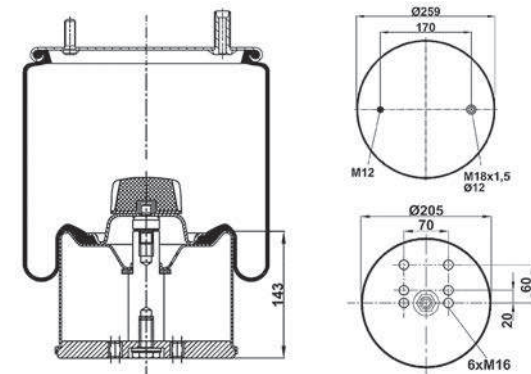
Pallet Size: 115*80*75 Product Weight (Kg): 11,14 Pallet Quantity: 28

CROSS REFERENCES

CONTITECH

4940 N P02**CA

OEM REFERENCES



1600-4940 PT2

Pallet Size: 115*80*75 Product Weight (Kg): 8,57 Pallet Quantity: 28

CROSS REFERENCES

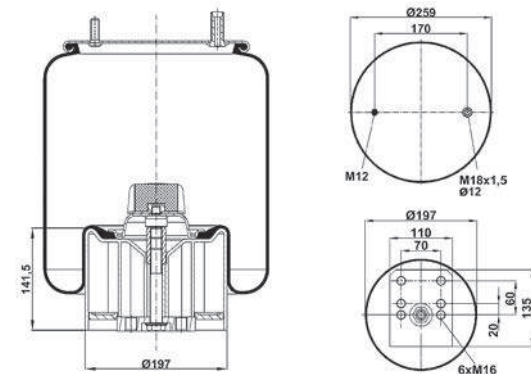
CONTITECH

4940 N P02**CPL

OEM REFERENCES

BPW

05.429.41.56.0
BPW30K



1600-4941 T2

Pallet Size: 115*80*80 Product Weight (Kg): 12,35 Pallet Quantity: 28

CROSS REFERENCES

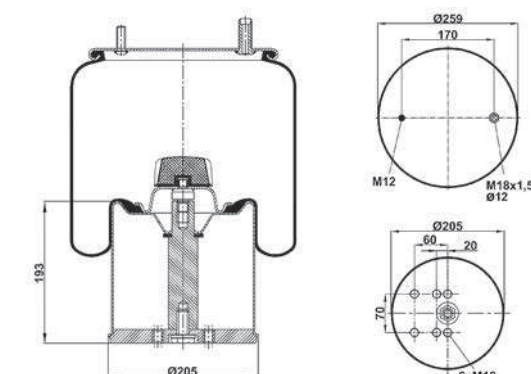
CONTITECH

4941 N P02**CA

OEM REFERENCES

BPW

05.429.43.25.0
BPW30



1600-4941 PT2

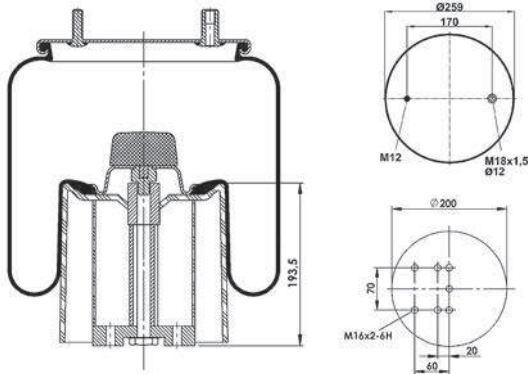
Pallet Size: 115*80*80 Product Weight (Kg): 9,50 Pallet Quantity: 28

CROSS REFERENCES

CONTITECH

4941 N P01**CPL

OEM REFERENCES



1600-4942 T

Pallet Size: 115*80*65 Product Weight (Kg): 20,32 Pallet Quantity: 11

CROSS REFERENCES

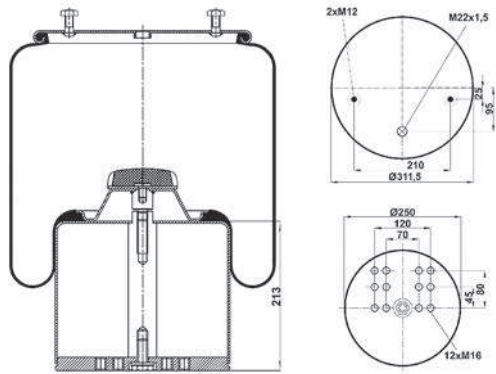
CONTITECH

4942 N P02**CA

OEM REFERENCES

BPW

05.429.41.09.0
05.429.41.85.0
05.429.41.86.0



1600-4960 T2

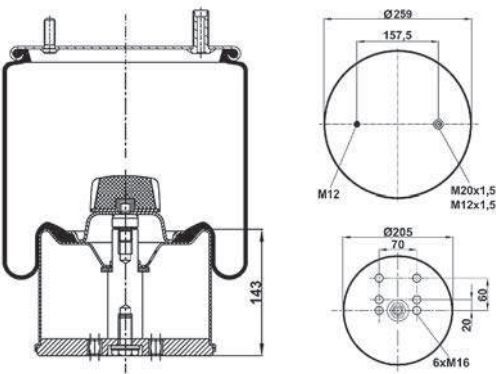
Pallet Size: 115*80*75 Product Weight (Kg): 11,08 Pallet Quantity: 28

CROSS REFERENCES

CONTITECH

4960 N P02**CA

OEM REFERENCES



1600-4960 PT2

Pallet Size: 115*80*80 Product Weight (Kg): 8,56 Pallet Quantity: 28

CROSS REFERENCES

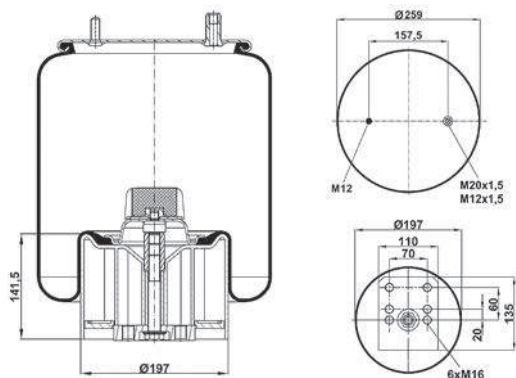
CONTITECH

4960 N P02**CPL

OEM REFERENCES

BPW

05.429.41.77.0
BPW30K



1600-4960 PT3

Pallet Size: 115*80*80 Product Weight (Kg): 8,64 Pallet Quantity: 28

CROSS REFERENCES

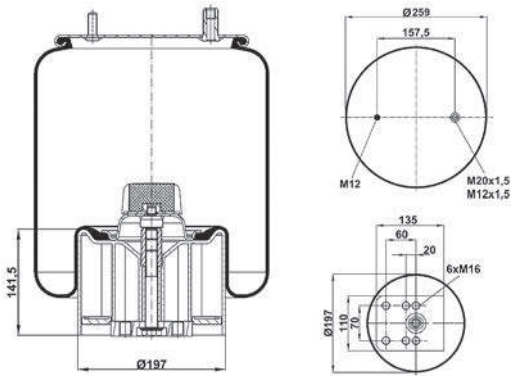
VIBRACOUSTIC
GOODYEAR

V1 DK 21 K-3
1R11-823

OEM REFERENCES

BPW

05.429.43.23.0
30K



1600-4961 T

Pallet Size: 115*80*80 Product Weight (Kg): 11,26 Pallet Quantity: 28

CROSS REFERENCES

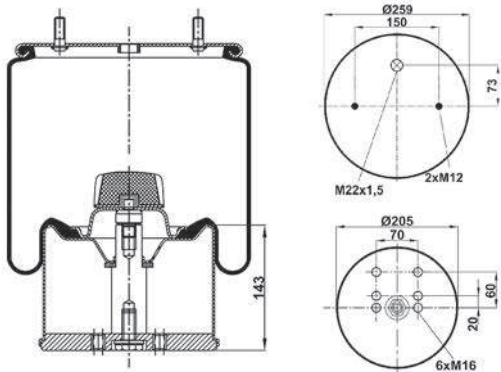
CONTITECH

4961 N P02**CA

OEM REFERENCES

BPW

05.429.42.04.0



1600-4961 PT2

Pallet Size: 115*80*80 Product Weight (Kg): 8,59 Pallet Quantity: 28

CROSS REFERENCES

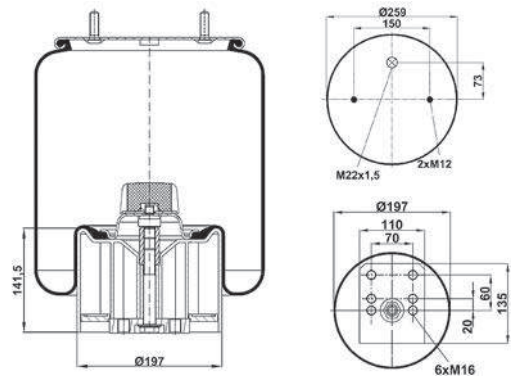
CONTITECH

4961 N P02**CPL

OEM REFERENCES

BPW

05.429.42.04.0
BPW30K



1600-4962 T

Pallet Size: 115*80*80 Product Weight (Kg): 11,81 Pallet Quantity: 28

CROSS REFERENCES

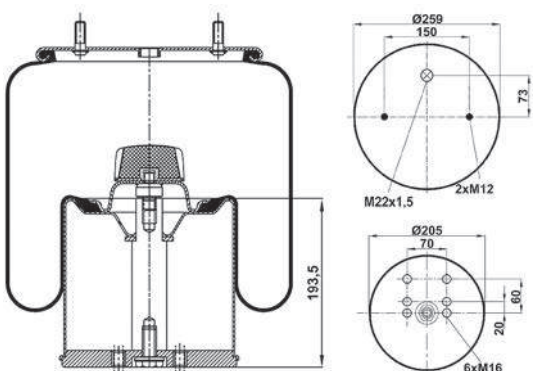
CONTITECH

4962 N P02**CA

OEM REFERENCES

BPW

05.429.42.03.0



1600-4962 PT

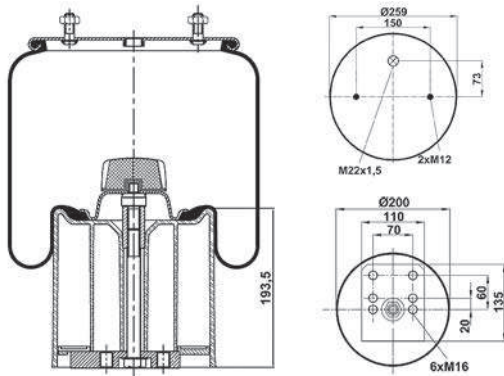
Pallet Size: 115*80*80 Product Weight (Kg): 9,86 Pallet Quantity: 30

CROSS REFERENCES

CONTITECH

4962 N P02**CPL

OEM REFERENCES



1600-4963 T

Pallet Size: 115*80*80 Product Weight (Kg): 11,81 Pallet Quantity: 28

CROSS REFERENCES

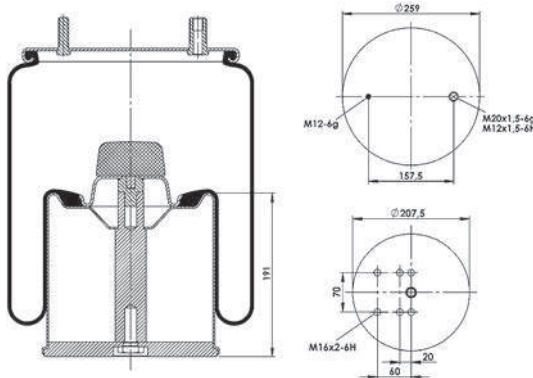
CONTITECH

4963 N P01**CA

OEM REFERENCES

BPW

05.429.42.54.0 BPW 30
05.429.43.62.0 BPW 30



1600-4963 PT

Pallet Size: 115*80*80 Product Weight (Kg): 9,63 Pallet Quantity: 28

CROSS REFERENCES

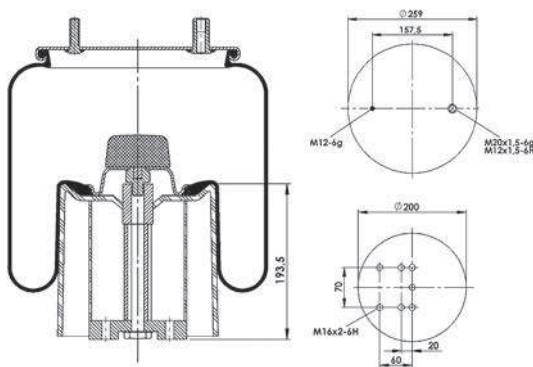
CONTITECH

4963 N P01**CPL

OEM REFERENCES

BPW

05.429.42.54.0 BPW 30
05.429.43.62.0 BPW 30



1600-6120 PT

Pallet Size: Product Weight (Kg): Pallet Quantity:

CROSS REFERENCES

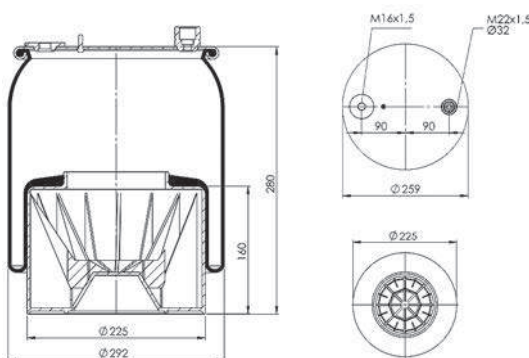
CONTITECH

6120 N P48

OEM REFERENCES

MERCEDES

A 960 320 13 57



1600-6120 PT1

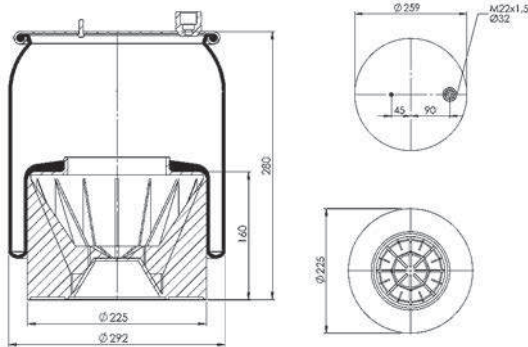
Pallet Size: Product Weight (Kg): Pallet Quantity:

CROSS REFERENCES

CONTITECH 6120 N P49

OEM REFERENCES

MERCEDES A 960 320 17 57



1600-6121 PT

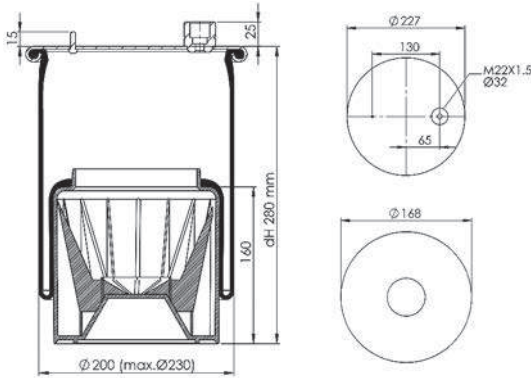
Pallet Size: Product Weight (Kg): Pallet Quantity:

CROSS REFERENCES

CONTITECH 6121 N P44

OEM REFERENCES

MERCEDES A 960 320 12 57
A 960 320 62 57



1600-6122 PT1

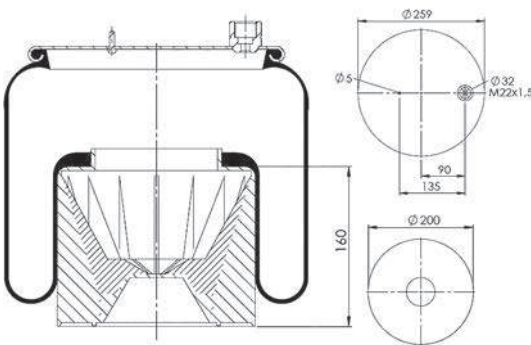
Pallet Size: 115*80*80 Product Weight (Kg): Pallet Quantity: 30

CROSS REFERENCES

CONTITECH 6122 N P46

OEM REFERENCES

MERCEDES A 960 320 00 57
A 960 320 70 21



1600-6122 PT2

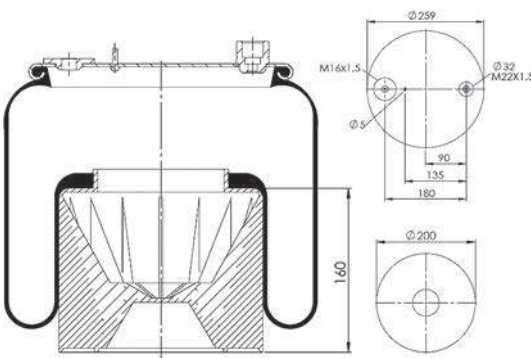
Pallet Size: 115*80*80 Product Weight (Kg): Pallet Quantity: 30

CROSS REFERENCES

CONTITECH 6122 N P47

OEM REFERENCES

MERCEDES A 960 320 01 57
A 960 320 77 21



1600-6123 T

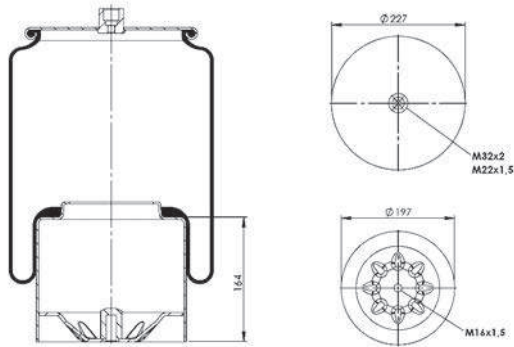
Pallet Size: Product Weight (Kg): Pallet Quantity:

CROSS REFERENCES

CONTITECH 6123 N P40

OEM REFERENCES

MERCEDES A 960 320 06 57
A 960 320 71 57



1600-6198 T

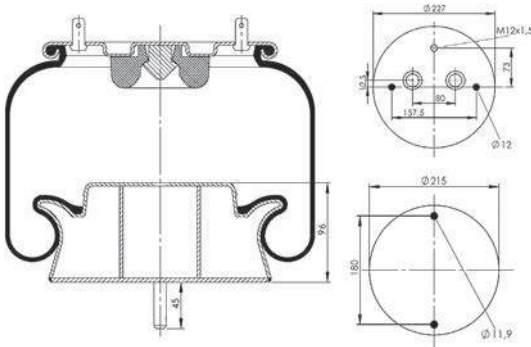
Pallet Size: 115*80*91 Product Weight (Kg): 7,07 Pallet Quantity: 24

CROSS REFERENCES

GOODYEAR 1R13-747

OEM REFERENCES

SCANIA 1362143
1386198



1600-6199 T

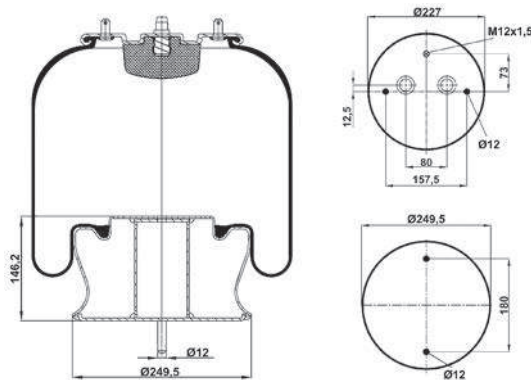
Pallet Size: 115*80*80 Product Weight (Kg): 9,40 Pallet Quantity: 24

CROSS REFERENCES

GOODYEAR 1R13-744

OEM REFERENCES

SCANIA 1362145
1370743
1386199



1600-6200 T

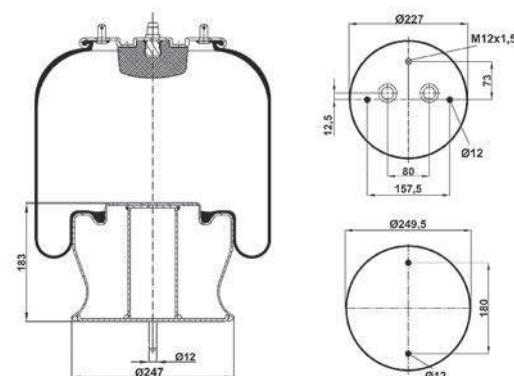
Pallet Size: 115*80*91 Product Weight (Kg): 10,40 Pallet Quantity: 24

CROSS REFERENCES

GOODYEAR 1R13-745

OEM REFERENCES

SCANIA 1362147
1370744
1386200



1600-6237 T

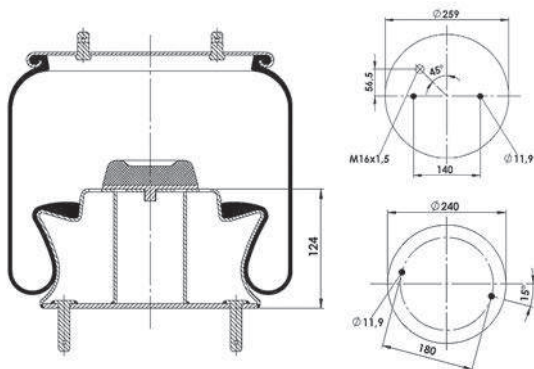
Pallet Size: 115*80*80 Product Weight (Kg): 8,60 Pallet Quantity: 28

CROSS REFERENCES

CONTITECH 1R13-750

OEM REFERENCES

SCANIA 1726237
2024281



1600-6243 T

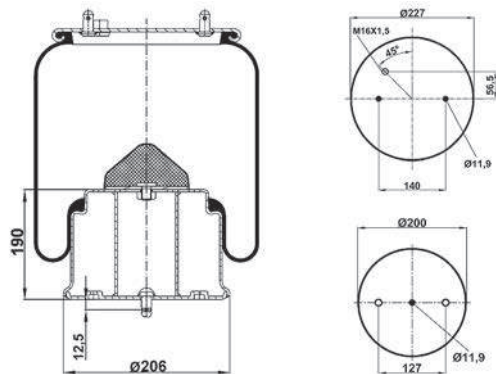
Pallet Size: 115*80*91 Product Weight (Kg): 8,80 Pallet Quantity: 28

CROSS REFERENCES

GOODYEAR 566-22-3-546
1R11-869
1R11-838

OEM REFERENCES

VOLVO 2024288
SCANIA 1726243



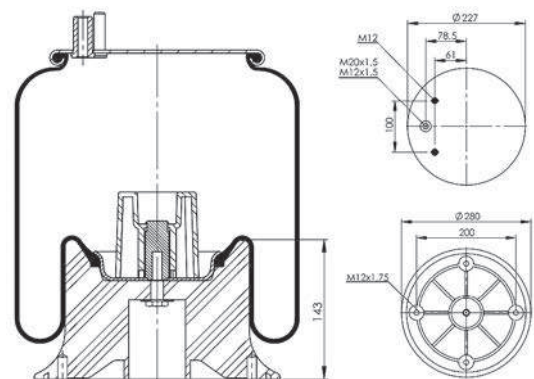
1600-6247 PT

Pallet Size: 115*80*91 Product Weight (Kg): 6,60 Pallet Quantity: 28

CROSS REFERENCES

OEM REFERENCES

VOLVO 20 352 247
20 386 228



1600-6251 T

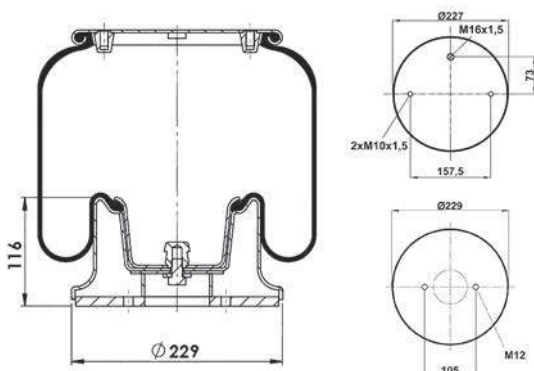
Pallet Size: 115*80*75 Product Weight (Kg): 10,60 Pallet Quantity: 30

CROSS REFERENCES

FIRESTONE W01-M58-6251
1T15AA-3

OEM REFERENCES

SCANIA/SCANIA BUSSAR 1314903
1402423
1865759
SCANIA 15619
GRANNING



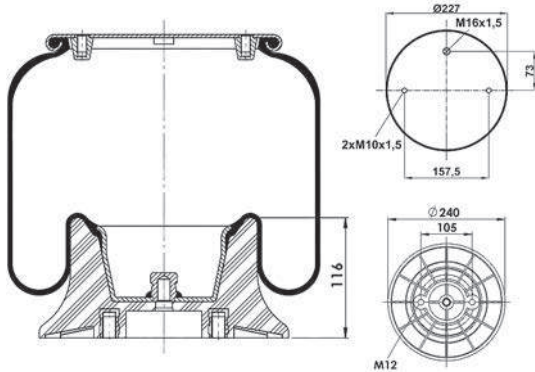
1600-6251 PT

Pallet Size: 115*80*75 Product Weight (Kg): 9,20 Pallet Quantity: 30

CROSS REFERENCES

FIRESTONE W01-M58-6251**CPL

OEM REFERENCES



1600-6260 PT

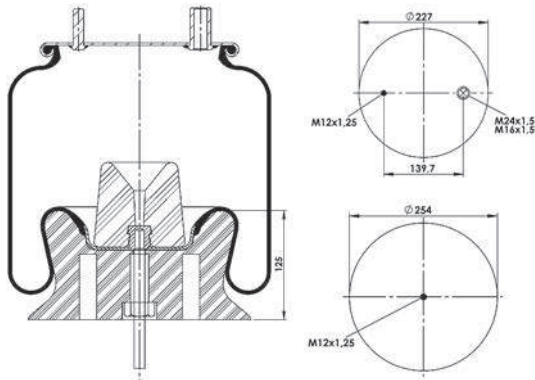
Pallet Size: 115*80*75 Product Weight (Kg): Pallet Quantity: 28

CROSS REFERENCES

FIRESTONE W01-M58-6260

OEM REFERENCES

HENDRICKSON 59053-2F



1600-6305 T

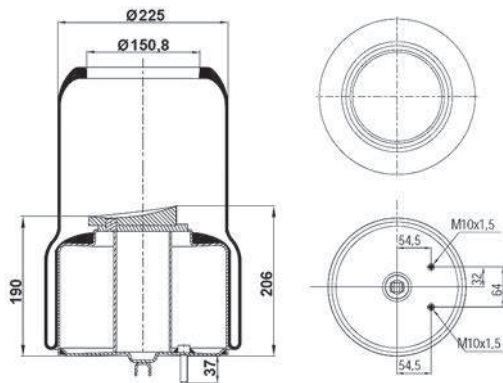
Pallet Size: 115*80*91 Product Weight (Kg): 8,81 Pallet Quantity: 28

CROSS REFERENCES

CONTITECH 6610 N P01

OEM REFERENCES

VOLVO 20 573 305

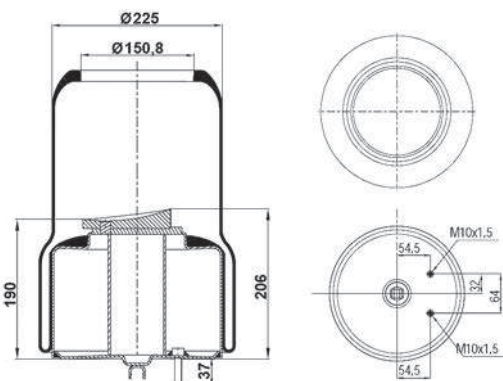


1600-6306 T

Pallet Size: 115*80*80 Product Weight (Kg): Pallet Quantity: 28

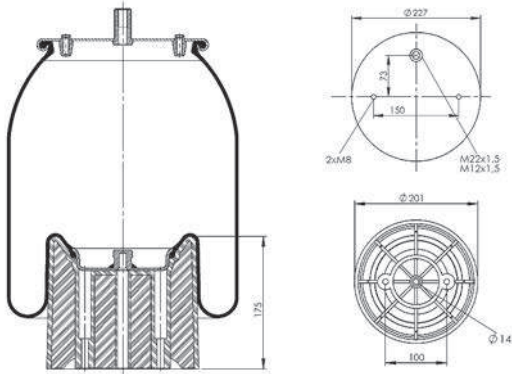
CROSS REFERENCES

VOLVO 20 573 306



1600-6318 PT

Pallet Size: 115*80*75 Product Weight (Kg): 6,52 Pallet Quantity: 28



CROSS REFERENCES

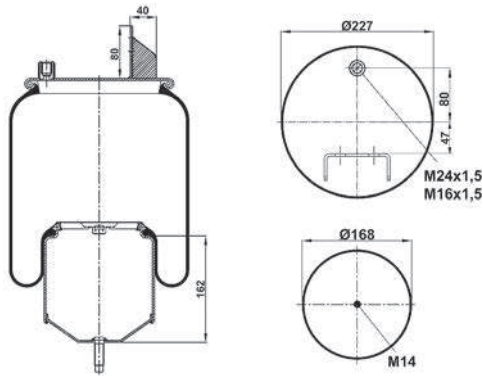
FIRESTONE W01-M58-6318
W01-968-6318
1R12-837
GOODYEAR

OEM REFERENCES

WEWELER
SCHMITZ US06318F
16512

1600-6416 T

Pallet Size: 115*80*80 Product Weight (Kg): 6,70 Pallet Quantity: 30



CROSS REFERENCES

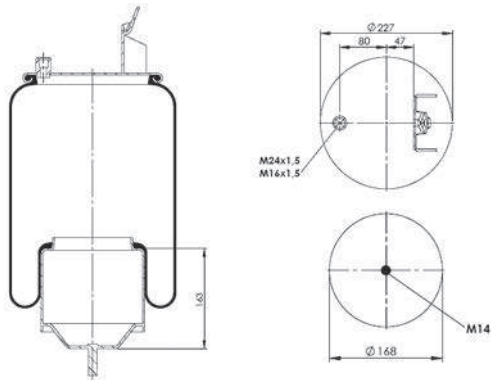
VIBRACOUSTIC V1DF16D-1
CONTITECH 6608 N P01
GOODYEAR 1R10-704
FIRESTONE W01-M58-8474

OEM REFERENCES

VOLVO 1076416
20374510
20456152
20531985
20582215
31171693

1600-6416 T2

Pallet Size: 115*80*80 Product Weight (Kg): 6,61 Pallet Quantity: 30



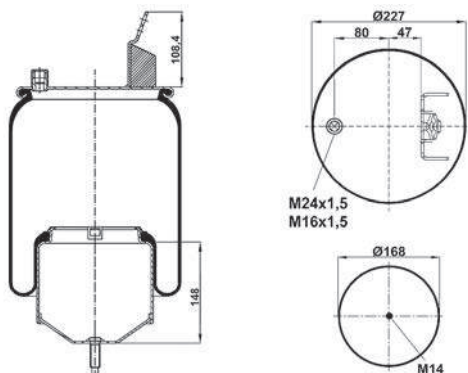
CROSS REFERENCES

OEM REFERENCES

SPECIAL PRODUCT

1600-6418 T

Pallet Size: 115*80*80 Product Weight (Kg): 6,38 Pallet Quantity: 30



CROSS REFERENCES

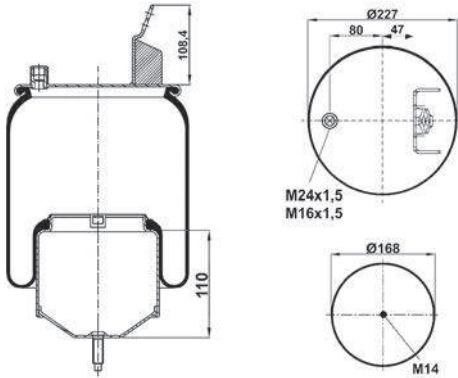
FIRESTONE W01-M58-8473
VIBRACOUSTIC V1DF16C-1
CONTITECH 6607 N P01
GOODYEAR 1R10-707

OEM REFERENCES

VOLVO 1076418
20374511
20456156
20531987
20582214
3171695

1600-6420 T

Pallet Size: 115*80*80 Product Weight (Kg): 5,55 Pallet Quantity: 30



CROSS REFERENCES

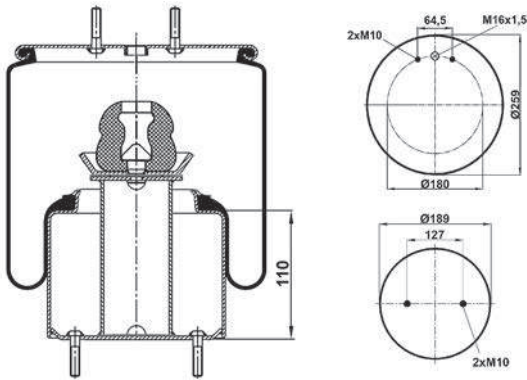
CONTITECH 6600 N P02

OEM REFERENCES

VOLVO 1076420
20374512
20456160
20531989
20582213
21961448

1600-6602 T

Pallet Size: 115*80*75 Product Weight (Kg): 7,92 Pallet Quantity: 28



CROSS REFERENCES

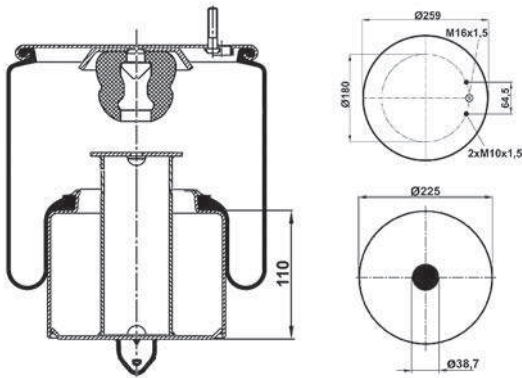
CONTITECH 6602 N P02
6602 N P01

OEM REFERENCES

VOLVO 20480202
20573113
21041697
21097453
70313734
70397453

1600-6603 T

Pallet Size: 115*80*80 Product Weight (Kg): 9,00 Pallet Quantity: 28



CROSS REFERENCES

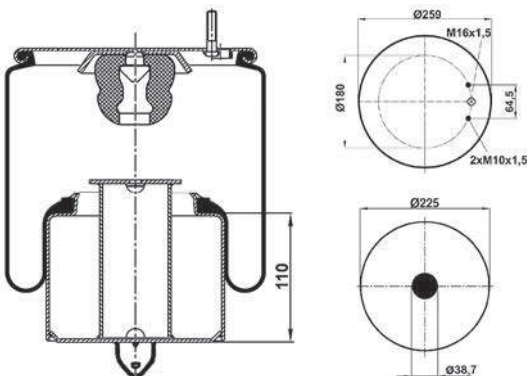
CONTITECH 6603 N P01

OEM REFERENCES

VOLVO 3195240
20573312

1600-6603 T2

Pallet Size: 115*80*80 Product Weight (Kg): Pallet Quantity: 28



CROSS REFERENCES

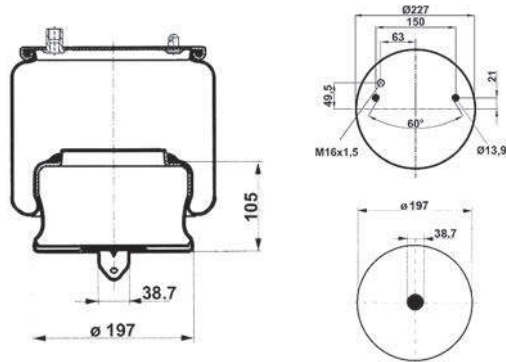
VIBRACOUSTIC V1DF16E-1
CONTITECH 6603 N P02

OEM REFERENCES

VOLVO 20 573 311

1600-6604 T

Pallet Size: 115*80*75 Product Weight (Kg): 6,00 Pallet Quantity: 30



CROSS REFERENCES

VIBRACOUSTIC
CONTITECH

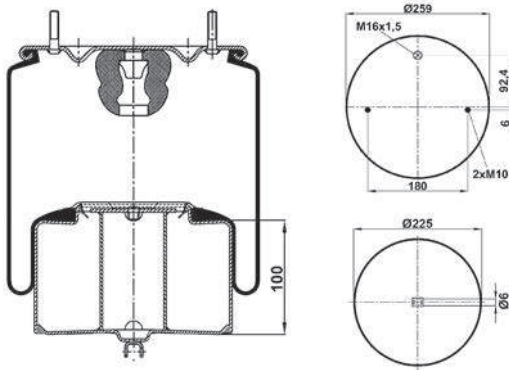
V 1 DF 16 E-1
6604 N P01

OEM REFERENCES

VOLVO
20573108
20573109
70313718
70321690
70321692
70376911
70376919

1600-6609 T

Pallet Size: 115*80*91 Product Weight (Kg): 8,31 Pallet Quantity: 24



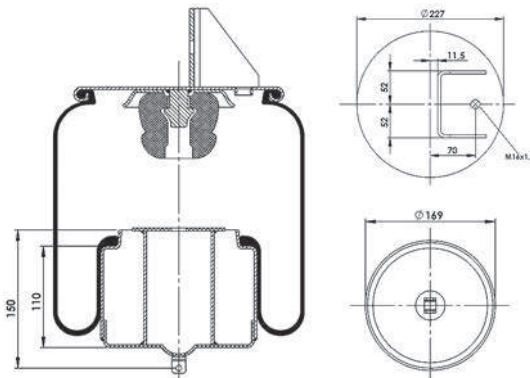
CROSS REFERENCES

OEM REFERENCES

VOLVO
1075365
1629782
20452138
20554761

1600-6752 T

Pallet Size: 115*80*80 Product Weight (Kg): 7,03 Pallet Quantity: 30



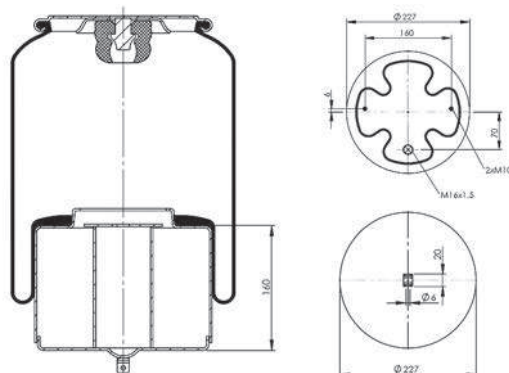
CROSS REFERENCES

OEM REFERENCES

VOLVO
20554752

1600-6760 T

Pallet Size: 115*80*80 Product Weight (Kg): 9,95 Pallet Quantity: 28



CROSS REFERENCES

CONTITECH

6612 N P01
2136 M

OEM REFERENCES

VOLVO
20452136
20452142
20554760

1600-6762 T

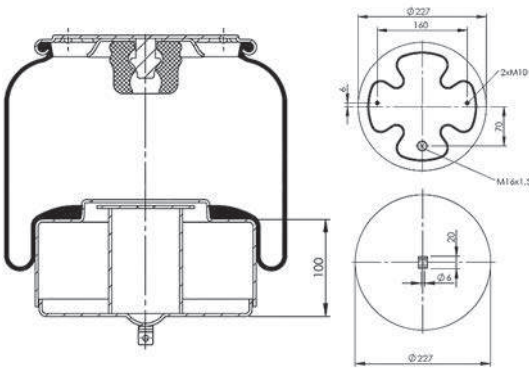
Pallet Size: 115*80*80 Product Weight (Kg): 8,25 Pallet Quantity: 28

CROSS REFERENCES

CONTITECH 6613 N P01
54762 M

OEM REFERENCES

VOLVO 20452144
20479802
20554762



1600-6768 T

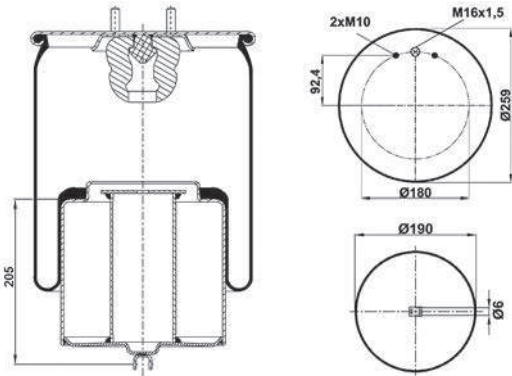
Pallet Size: 115*80*80 Product Weight (Kg): 9,21 Pallet Quantity: 28

CROSS REFERENCES

CONTITECH 54768 M

OEM REFERENCES

VOLVO 20554768



1600-6770 T

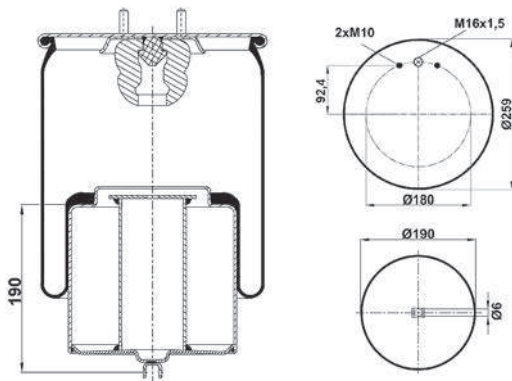
Pallet Size: 115*80*75 Product Weight (Kg): 8,80 Pallet Quantity: 24

CROSS REFERENCES

CONTITECH 54770 M

OEM REFERENCES

VOLVO 3173271
20554770



1600-6771 T

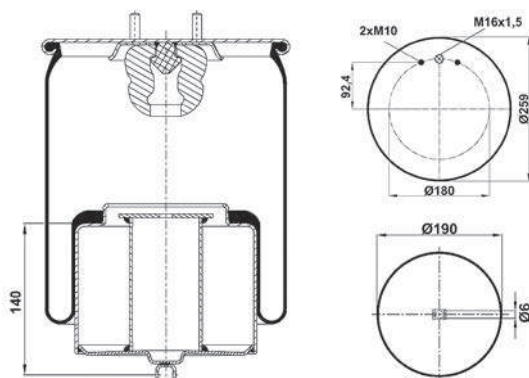
Pallet Size: 115*80*80 Product Weight (Kg): Pallet Quantity: 28

CROSS REFERENCES

CONTITECH 54771 M

OEM REFERENCES

VOLVO 20 554 771



1600-6884 T

Pallet Size: 115*80*91 Product Weight (Kg): 10,70 Pallet Quantity: 24

CROSS REFERENCES

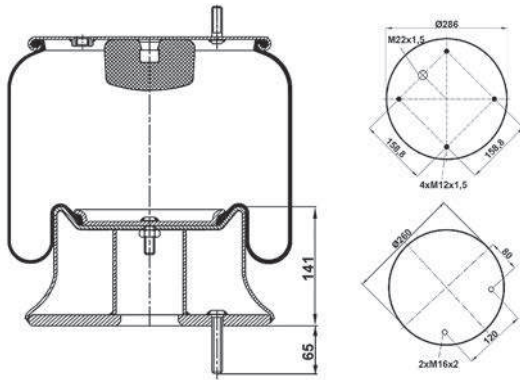
FIRESTONE

W01-M58-8772
1T19L-7

OEM REFERENCES

BERTOJA

46311001



1600-7003 PTA

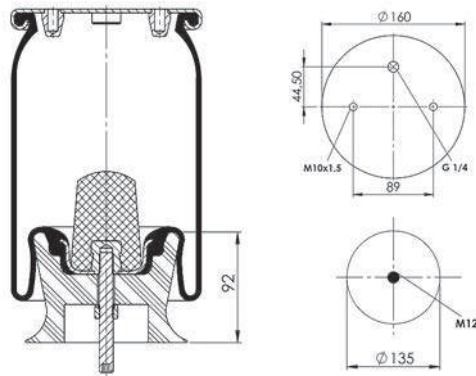
Pallet Size: 115*80*91 Product Weight (Kg): 3,40 Pallet Quantity: 24

CROSS REFERENCES

OEM REFERENCES

MERCEDES SPRINTER

2007-2013



1600-7074 PT

Pallet Size: 115*80*80 Product Weight (Kg): 7,04 Pallet Quantity: 28

CROSS REFERENCES

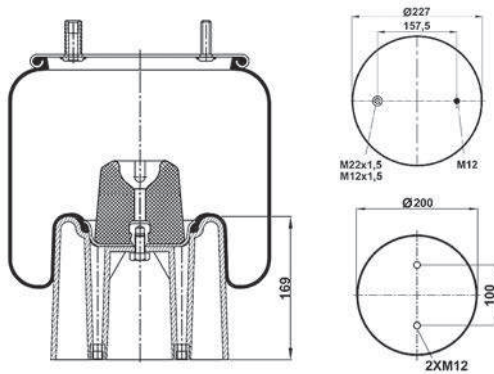
FIRESTONE

W01-M58-7074
1T15MPV-7
1R11-106

OEM REFERENCES

WEWELER

US07074



1600-7313 T

Pallet Size: 115*80*80 Product Weight (Kg): 11,44 Pallet Quantity: 28

CROSS REFERENCES

FIRESTONE

W01-M58-7313
1T15AA-6

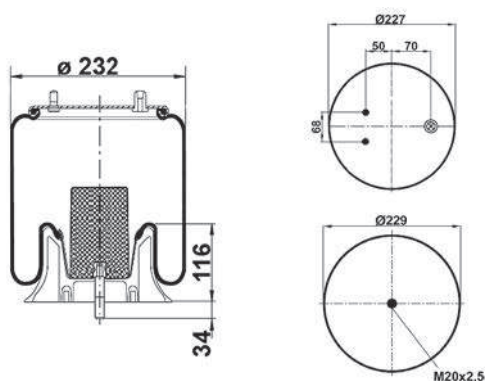
OEM REFERENCES

NEWAY

MO557019
MO557020
MO557030
MO557031
99458555
99458557
120E

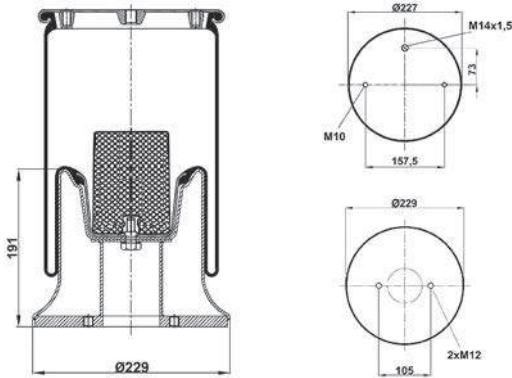
IVECO

EUROCARGO



1600-7315 T

Pallet Size: 115*80*91 Product Weight (Kg): 12,12 Pallet Quantity: 28



CROSS REFERENCES

FIRESTONE

W01-M58-7315**CA

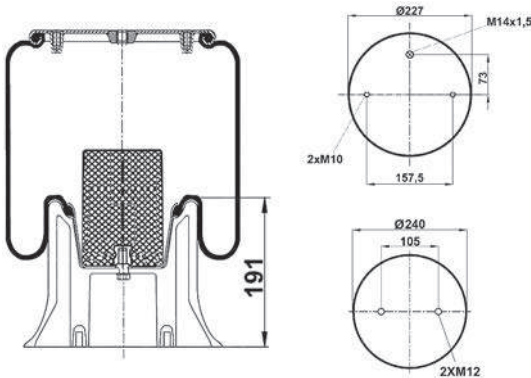
OEM REFERENCES

SCANIA/SCANIA BUSSAR

1314904**CA

1600-7315 PTA

Pallet Size: 115*80*91 Product Weight (Kg): 5,35 Pallet Quantity: 28



CROSS REFERENCES

FIRESTONE

W01-M58-7315
1T15S-11

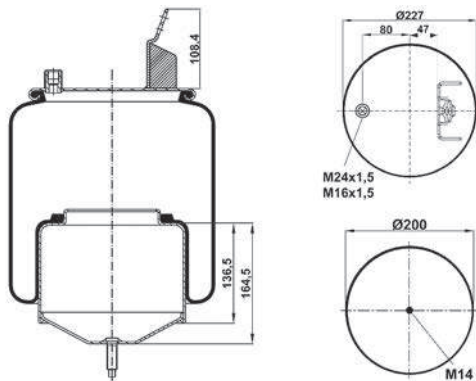
OEM REFERENCES

SCANIA

1314904

1600-7803 T

Pallet Size: 115*80*91 Product Weight (Kg): 7,45 Pallet Quantity: 30



CROSS REFERENCES

FIRESTONE
CONTITECH
GOODYEAR

W01-M58-8472
6605 N P01
1R11-805

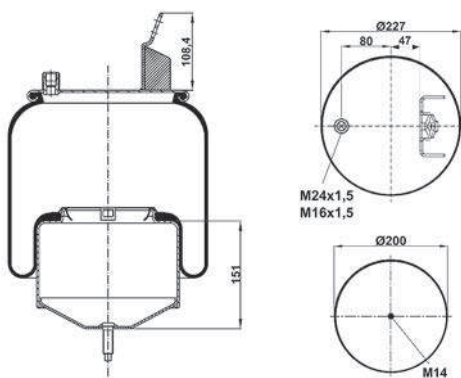
OEM REFERENCES

VOLVO

3171692
20375226
20427800
20427803
20456150
20531984
20582206
21961374

1600-7804 T

Pallet Size: 115*80*91 Product Weight (Kg): 6,96 Pallet Quantity: 30



CROSS REFERENCES

FIRESTONE
CONTITECH
GOODYEAR

W01-M58-8477
6606 N P01
1R11-848

OEM REFERENCES

VOLVO

3171694
20427801
20427804
20456154
20531986
20582209
21961443

1600-7804 T2

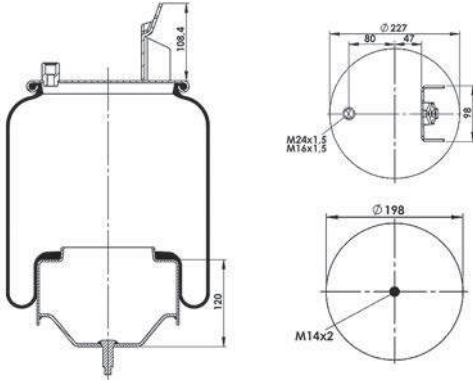
Pallet Size: 115*80*80 Product Weight (Kg): 6,46 Pallet Quantity: 30

CROSS REFERENCES

CONTITECH 6606 N P02

OEM REFERENCES

VOLVO
21961447
20 531 988
20 582 212



1600-9722 T

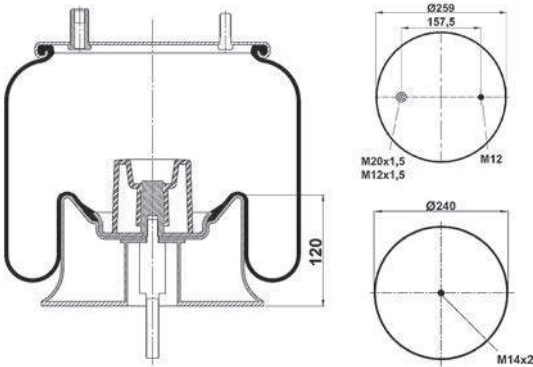
Pallet Size: 115*80*91 Product Weight (Kg): 9,54 Pallet Quantity: 28

CROSS REFERENCES

VIBRACOUSTIC V1DK27b-1

OEM REFERENCES

HENDRICKSON
BMC PROFESYONEL
HS507922
1142-DCX
827-DCX/ZCX/ZCF
832-YCX



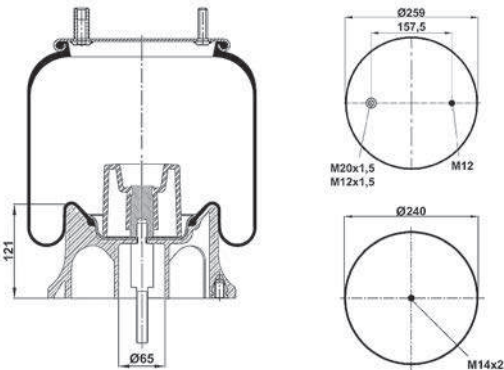
1600-9722 PT

Pallet Size: 115*80*91 Product Weight (Kg): 6,31 Pallet Quantity: 28

CROSS REFERENCES

VIBRACOUSTIC V1DK27b-1**CPL

OEM REFERENCES



1600-7923 T

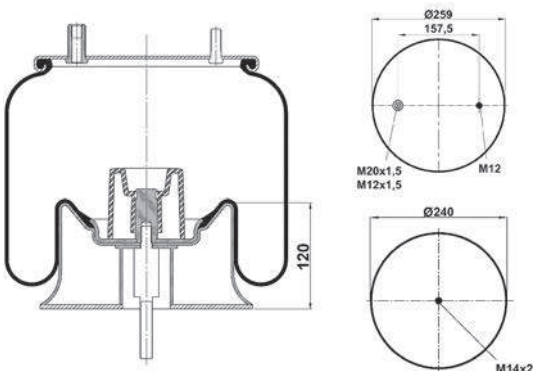
Pallet Size: 115*80*91 Product Weight (Kg): 9,59 Pallet Quantity: 28

CROSS REFERENCES

VIBRACOUSTIC V1DK27b-2

OEM REFERENCES

HENDRICKSON
BMC PROFESYONEL
HS507923
1142-DCX
827-DCX/ZCX/ZCF
832-YCX



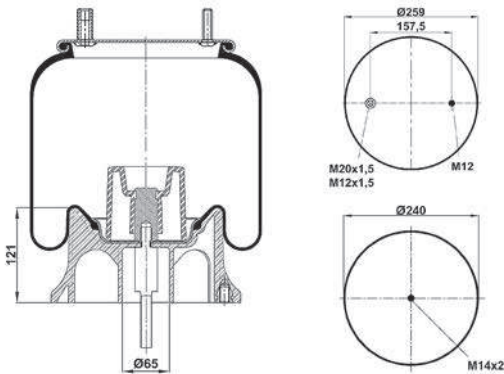
1600-7923 PTA

Pallet Size: 115*80*91 Product Weight (Kg): 6,26 Pallet Quantity: 28

CROSS REFERENCES

VIBRACOUSTIC V1DK27b-2**CPL

OEM REFERENCES



1600-7947 T

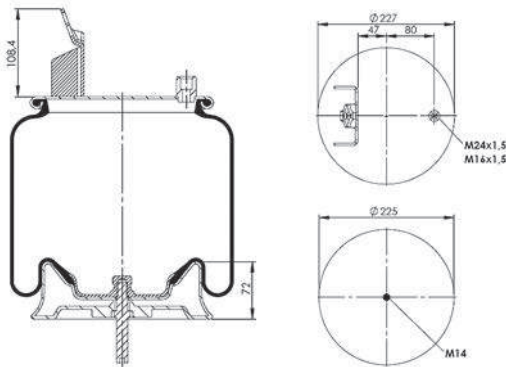
Pallet Size: 115*80*80 Product Weight (Kg): 8,53 Pallet Quantity: 28

CROSS REFERENCES

CONTRITECH 6614 N P01

OEM REFERENCES

VOLVO 20737943
20737947



1600-8070 T

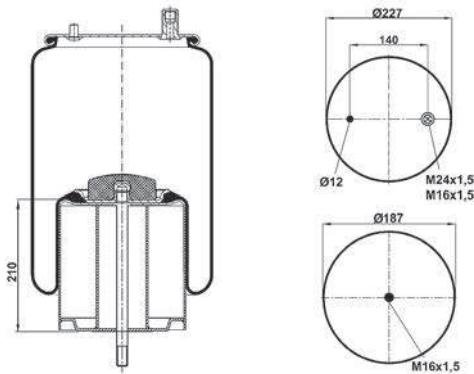
Pallet Size: 115*80*91 Product Weight (Kg): 10,65 Pallet Quantity: 28

CROSS REFERENCES

VIBRACOUSTIC V1DK19-1

OEM REFERENCES

RENAULT V.I 5010488070



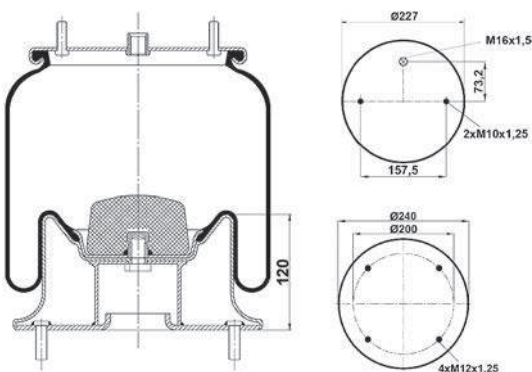
1600-8071 T

Pallet Size: 115*80*91 Product Weight (Kg): 8,91 Pallet Quantity: 28

CROSS REFERENCES

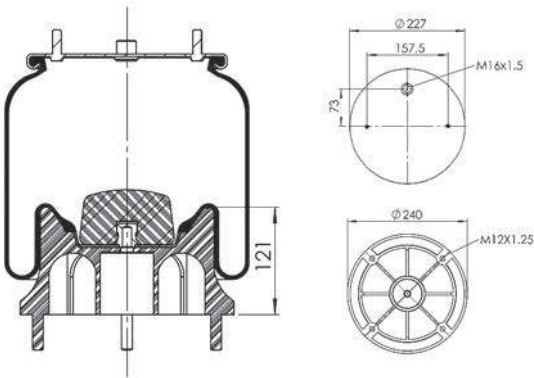
VIBRACOUSTIC V1DK23F-1

OEM REFERENCES



1600-8071 PT

Pallet Size: 115*80*91 Product Weight (Kg): Pallet Quantity: 28



CROSS REFERENCES

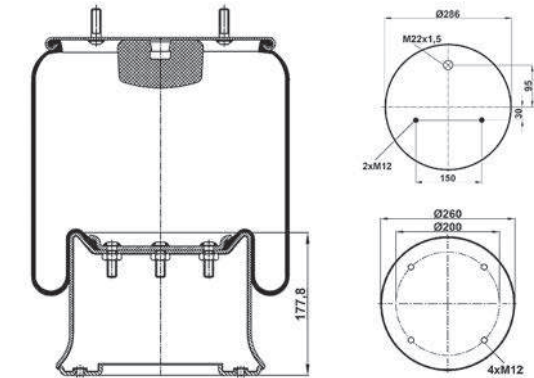
FIRESTONE W01-M54-8172
CONTITECH 4154 N P05

OEM REFERENCES

RENAULT 5010 259252

1600-8107 T

Pallet Size: 115*80*91 Product Weight (Kg): 11,50 Pallet Quantity: 24



CROSS REFERENCES

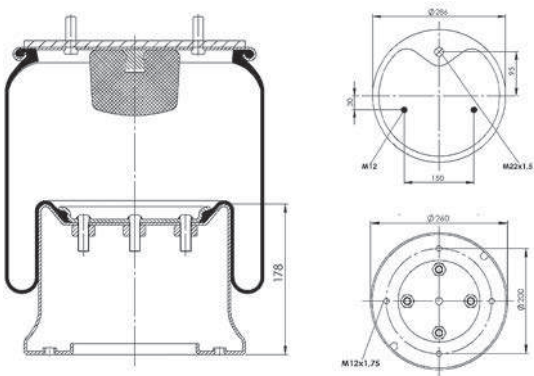
FIRESTONE W01-M58-8107**CA

OEM REFERENCES

WEWELER US04031

1600-8107 T2

Pallet Size: 115*80*91 Product Weight (Kg): 15,00 Pallet Quantity: 24



CROSS REFERENCES

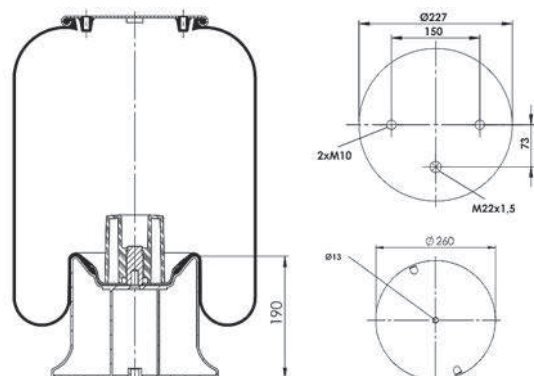
GOODYEAR 1R14-784

OEM REFERENCES

WEWELER US04031
SCHMITZ 017 685

1600-8185 T

Pallet Size: 115*80*80 Product Weight (Kg): Pallet Quantity: 28



CROSS REFERENCES

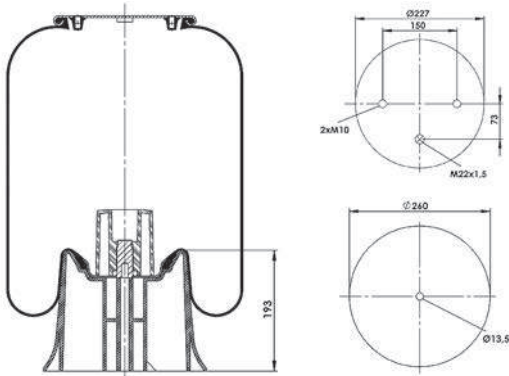
FIRESTONE W01-M58-8185**CA
GOODYEAR 1T15MPW-9**CA
1R12-749**CA

OEM REFERENCES

WEWELER US06285F
SCHMITZ-ANHANGER 750999

1600-8185 PT

Pallet Size: 115*80*80 Product Weight (Kg): 6,80 Pallet Quantity: 28



CROSS REFERENCES

FIRESTONE
GOODYEAR

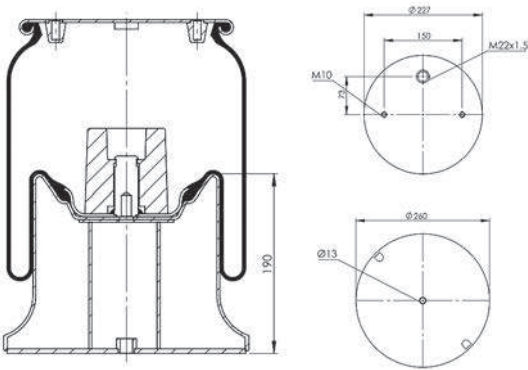
W01-M58-8185
1T15MPW-9
1R12-749

OEM REFERENCES

WEWELER
SCHMITZ-ANHANGER
US06285F
750999

1600-8186 T

Pallet Size: 115*80*80 Product Weight (Kg): 11,14 Pallet Quantity: 28



CROSS REFERENCES

FIRESTONE

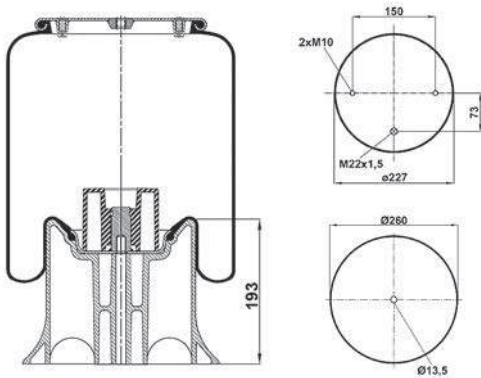
W01-M58-8186**CA
1T15MPW-7

OEM REFERENCES

WEWELER
SCHMITZ
US 06316F
751065

1600-8186 PT

Pallet Size: 115*80*80 Product Weight (Kg): 6,50 Pallet Quantity: 28



CROSS REFERENCES

FIRESTONE

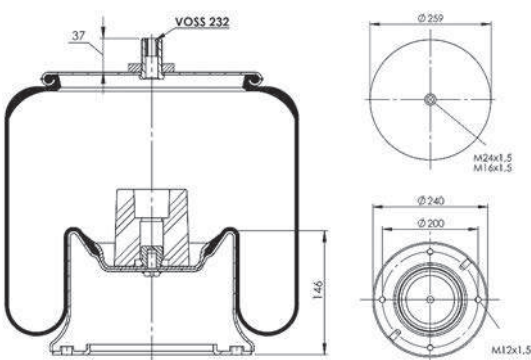
W01-M58-8186
1T15MPW-7

OEM REFERENCES

WEWELER
SCHMITZ
US 06316F
751065

1600-8263 T

Pallet Size: 115*80*75 Product Weight (Kg): 9,23 Pallet Quantity: 28



CROSS REFERENCES

VIBRACOUSTIC
GOODYEAR

V 1 DK 22 G-1
1R11-847 566-22-3-525

OEM REFERENCES

MERCEDES-BENZ
HENDRICKSON
A9423205921
H5508263

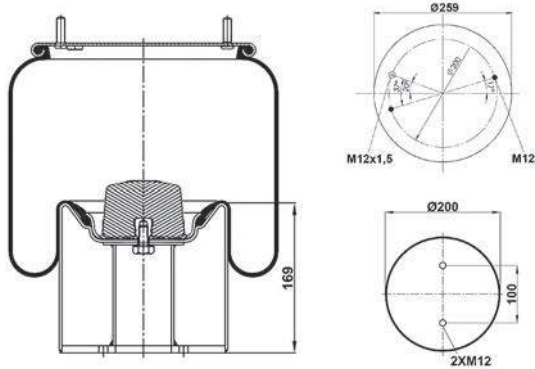
1600-8608 T

Pallet Size: 115*80*75 Product Weight (Kg): 11,09 Pallet Quantity: 28

CROSS REFERENCES

FIRESTONE 1T17DJ-7

OEM REFERENCES



1600-8608 PT

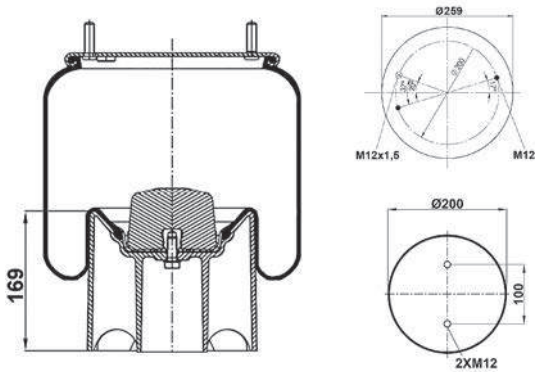
Pallet Size: 115*80*75 Product Weight (Kg): 7,13 Pallet Quantity: 28

CROSS REFERENCES

FIRESTONE W01-M58-8608 1T17DJ-7

OEM REFERENCES

R.O.R/MERITOR 21229214



1600-8679 T

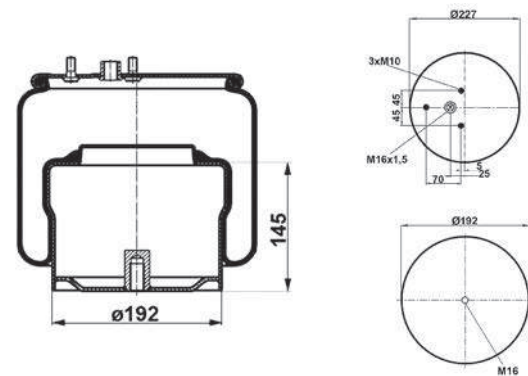
Pallet Size: 115*80*75 Product Weight (Kg): 6,51 Pallet Quantity: 28

CROSS REFERENCES

FIRESTONE W01-M58-8679
CONTITECH 889 MK2
FIRESTONE 1T15LLR-5

OEM REFERENCES

DAF 1279141
1698434



1600-9080 T

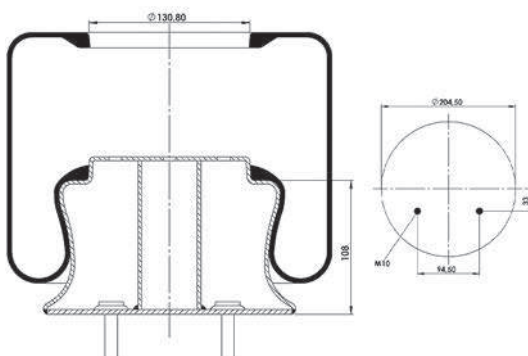
Pallet Size: 115*80*75 Product Weight (Kg): 5,20 Pallet Quantity: 24

CROSS REFERENCES

GOODYEAR 556-03-9080
9553

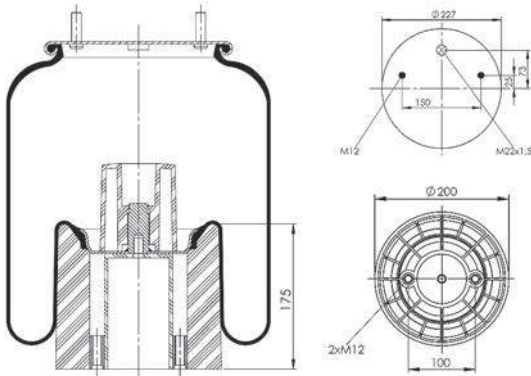
OEM REFERENCES

VOLVO 20535876
20725459



1600-9221 PT

Pallet Size: 115*80*80 Product Weight (Kg): 6,83 Pallet Quantity: 28


CROSS REFERENCES

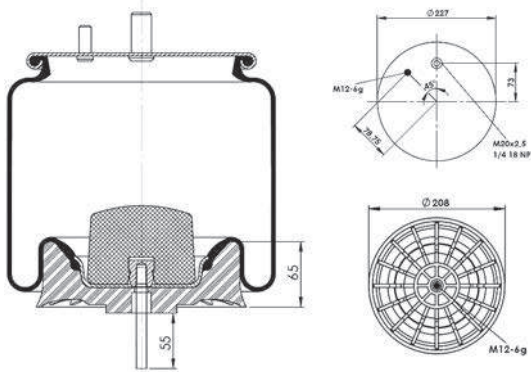
FIRESTONE W01-M58-6287

OEM REFERENCES

 WEWELER USQ6287F
 ISUZU TURKUAZ 3870009221

1600-9554 PTA

Pallet Size: 115*80*80 Product Weight (Kg): 5,09 Pallet Quantity: 28


CROSS REFERENCES

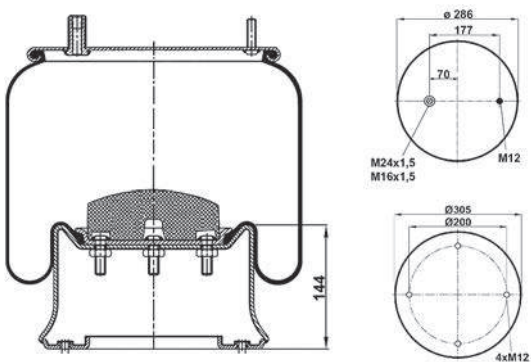
 FIRESTONE W01-358-9554
 CONTITECH 99K-12 P 093

OEM REFERENCES

 VOLVO 20462941
 MACK 57QL59M
 HENDRICKSON 60716-2

1600-9910 T

Pallet Size: 115*80*80 Product Weight (Kg): 14,64 Pallet Quantity: 22


CROSS REFERENCES

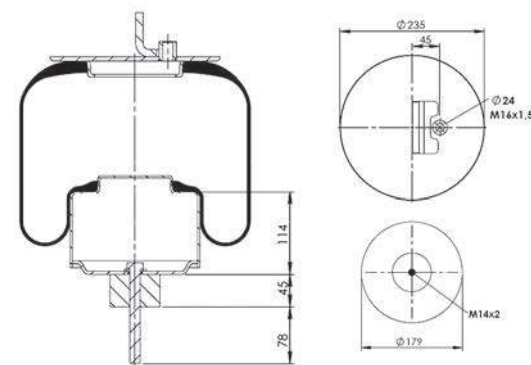
 FIRESTONE W01-M58-9910
 1T19G-12

OEM REFERENCES

 RENAULT V.I 5000815749
 RENAULT 5010239338
 NEWAY M0057000G

1600-23025 T

Pallet Size: 115*80*80 Product Weight (Kg): 8,60 Pallet Quantity: 28


CROSS REFERENCES

CF GOMMA 1SC 230 25

OEM REFERENCES

1600-24019 PT

Pallet Size: 115*80*75 Product Weight (Kg): 4,96 Pallet Quantity: 30

CROSS REFERENCES

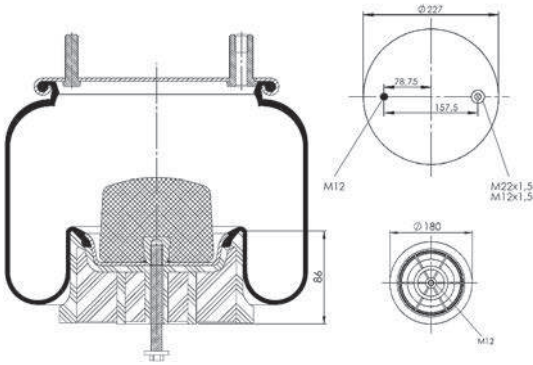
CF GOMMA

1T240-19

OEM REFERENCES

OTOKAR

M 2010 MAGIRUS FRONT



1600-27023 T

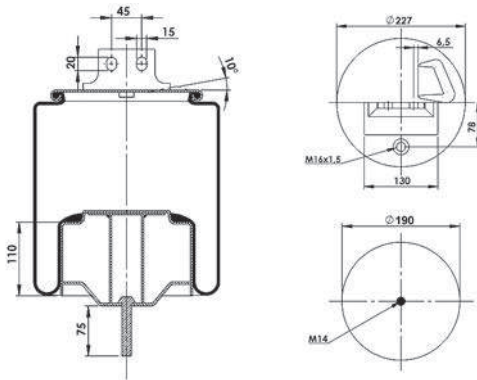
Pallet Size: 115*80*91 Product Weight (Kg): 7,24 Pallet Quantity: 28

CROSS REFERENCES

OEM REFERENCES

IVECO STRALIS

41270462



1600-27023 PT

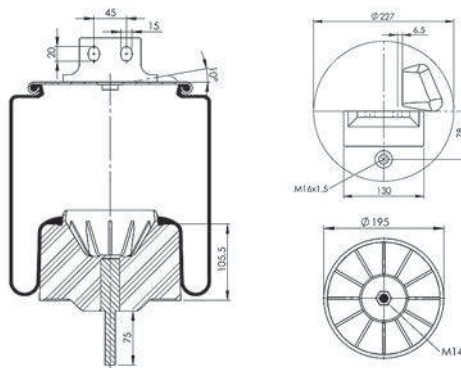
Pallet Size: 115*80*91 Product Weight (Kg): 5,69 Pallet Quantity: 28

CROSS REFERENCES

OEM REFERENCES

IVECO STRALIS

42559765**CPL



1600-27023 T1

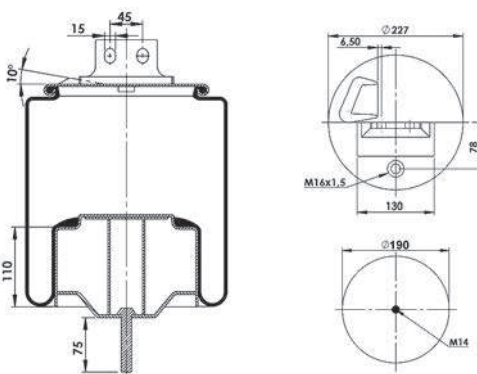
Pallet Size: 115*80*91 Product Weight (Kg): 7,04 Pallet Quantity: 28

CROSS REFERENCES

OEM REFERENCES

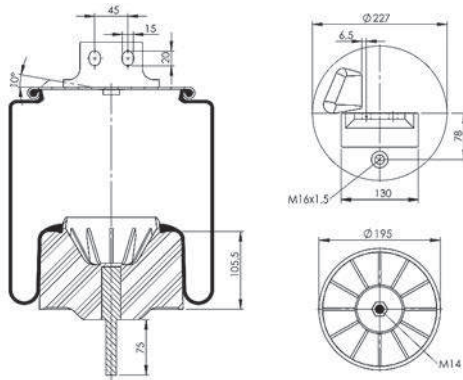
IVECO STRALIS

41270463



1600-27023 PT1

Pallet Size: 115*80*91 Product Weight (Kg): 5,42 Pallet Quantity: 28



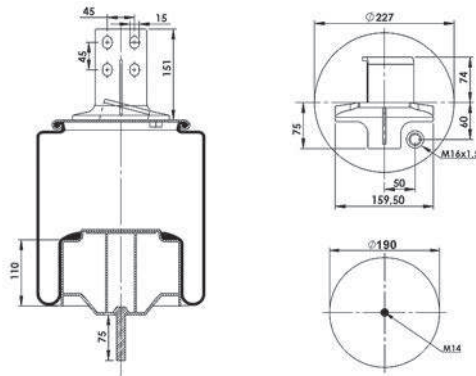
CROSS REFERENCES

OEM REFERENCES

IVECO STRALIS 42559766**CPL

1600-27023 T2

Pallet Size: 115*80*91 Product Weight (Kg): 7,85 Pallet Quantity: 28



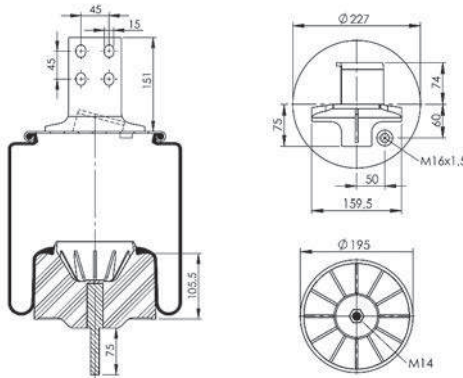
CROSS REFERENCES

OEM REFERENCES

IVECO STRALIS 41270465

1600-27023 PT2

Pallet Size: 115*80*91 Product Weight (Kg): 6,48 Pallet Quantity: 28



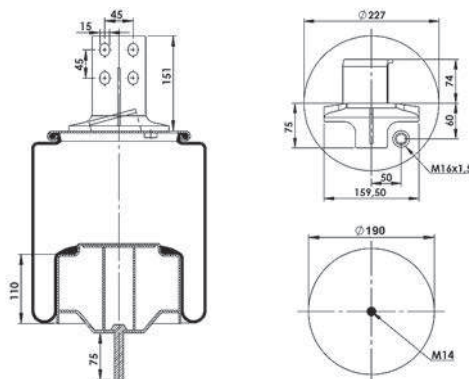
CROSS REFERENCES

OEM REFERENCES

IVECO STRALIS 42559767**CPL
IVECO 7501206684

1600-27023 T3

Pallet Size: 115*80*91 Product Weight (Kg): 8,08 Pallet Quantity: 28



CROSS REFERENCES

OEM REFERENCES

IVECO STRALIS 41270466

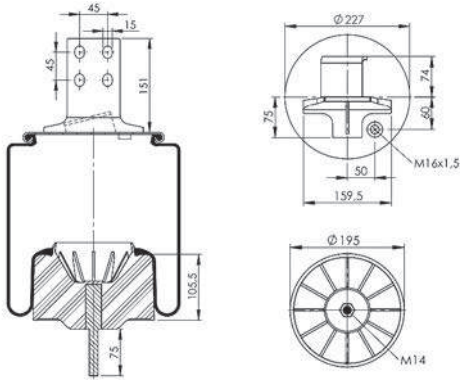
1600-27023 PT3

Pallet Size: 115*80*91 Product Weight (Kg): 6,36 Pallet Quantity: 28

CROSS REFERENCES

OEM REFERENCES

IVECO STRALIS 42559768**CPL



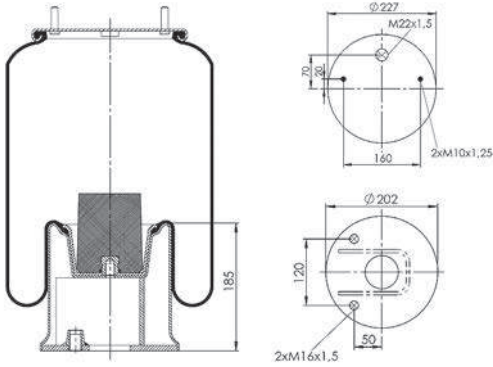
1600-28030 T

Pallet Size: 115*80*75 Product Weight (Kg): 10,97 Pallet Quantity: 28

CROSS REFERENCES

OEM REFERENCES

ZORZI	1006549
VIBERTI	128147101
ISUZU TURKUAZ	500036807
CARDI	58050600
BERTOJA	42402001
BARTOLETTI	91619012



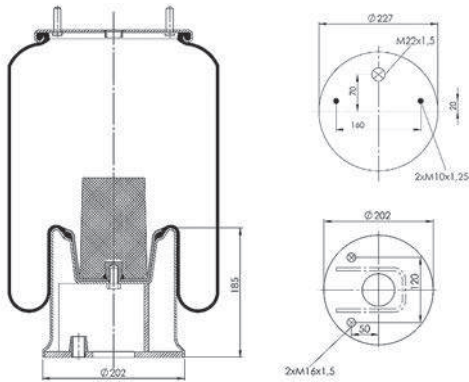
1600-28040 T

Pallet Size: 115*80*75 Product Weight (Kg): 11,28 Pallet Quantity: 28

CROSS REFERENCES

OEM REFERENCES

CF GOMMA 1T-280-40



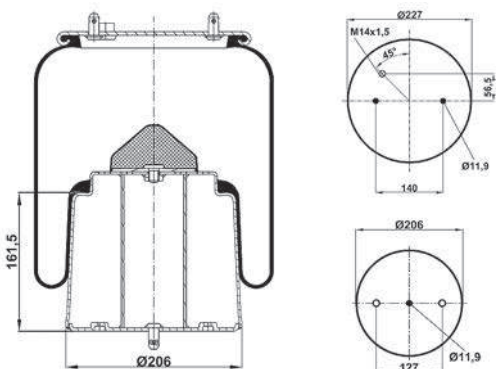
1600-34506 T

Pallet Size: 115*80*80 Product Weight (Kg): 8,80 Pallet Quantity: 28

CROSS REFERENCES

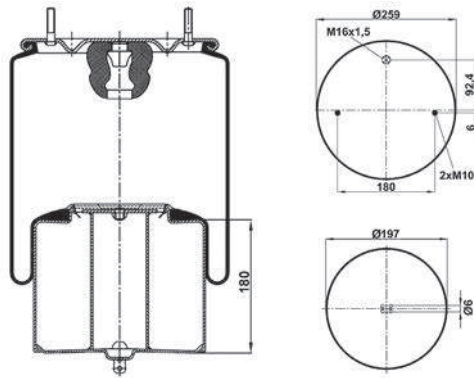
OEM REFERENCES

SCANIA	473868
	1434506
	488264



1600-39780 T

Pallet Size: 115*80*80 Product Weight (Kg): 9,67 Pallet Quantity: 28



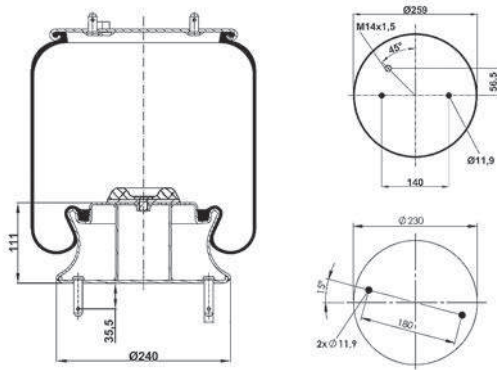
CROSS REFERENCES

OEM REFERENCES

VOLVO 20554763
1629780

1600-40301 T

Pallet Size: 115*80*80 Product Weight (Kg): 8,55 Pallet Quantity: 36



CROSS REFERENCES

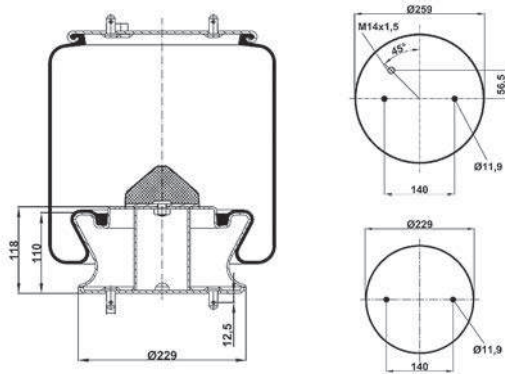
OEM REFERENCES

FIRESTONE W01-515-8192
GOODYEAR 566-26-3-523
FIRESTONE 1T15VR-3
GOODYEAR 1R13-746

SCANIA 470920
1440301
1440856
488265

1600-40302 T

Pallet Size: 115*80*80 Product Weight (Kg): 9,76 Pallet Quantity: 28



CROSS REFERENCES

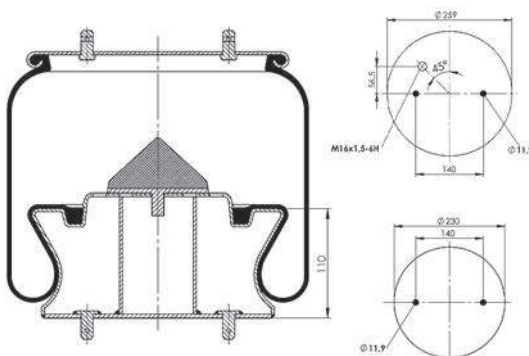
OEM REFERENCES

FIRESTONE W01-M58-8193
GOODYEAR 566-24-3-530
FIRESTONE 1T15VPR-3
GOODYEAR 1R12-809

SCANIA 470921
1440302
488266

1600-40302 T1

Pallet Size: 115*80*80 Product Weight (Kg): 8,58 Pallet Quantity: 28



CROSS REFERENCES

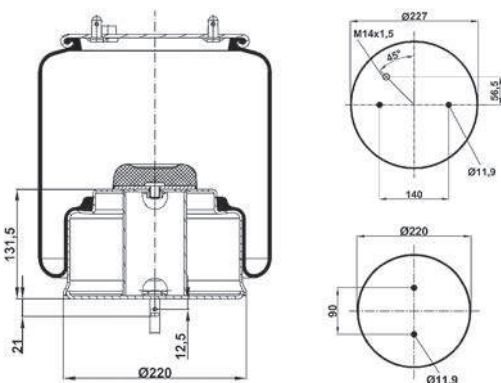
OEM REFERENCES

GOODYEAR 1R12-813

SCANIA 1726238

1600-40303 T

Pallet Size: 115*80*75 Product Weight (Kg): 7,52 Pallet Quantity: 28



CROSS REFERENCES

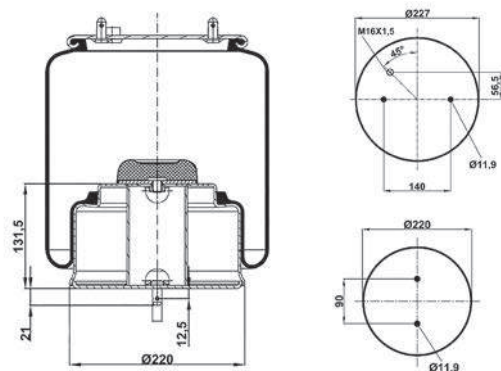
GOODYEAR 566-22-3-547
1R11-833

OEM REFERENCES

SCANIA 488263
1440303
1475106
1521114

1600-40303 T1

Pallet Size: 115*80*75 Product Weight (Kg): 7,52 Pallet Quantity: 28



CROSS REFERENCES

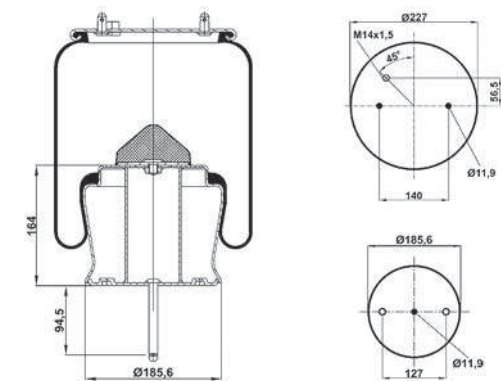
GOODYEAR 566-22-3-547
1R11-837

OEM REFERENCES

SCANIA 1726239
2024284

1600-40304 T

Pallet Size: 115*80*91 Product Weight (Kg): 8,59 Pallet Quantity: 28



CROSS REFERENCES

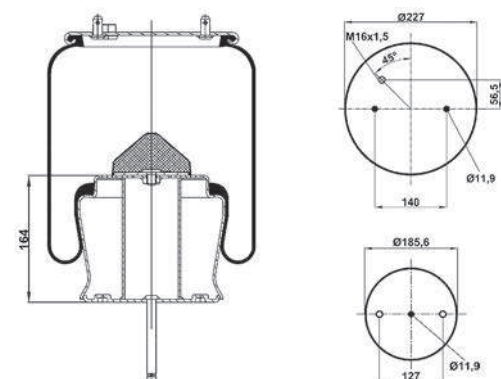
GOODYEAR 566-22-3-545
1R11-829

OEM REFERENCES

SCANIA 470922
1440304

1600-40304 T1

Pallet Size: 115*80*91 Product Weight (Kg): 8,50 Pallet Quantity: 28



CROSS REFERENCES

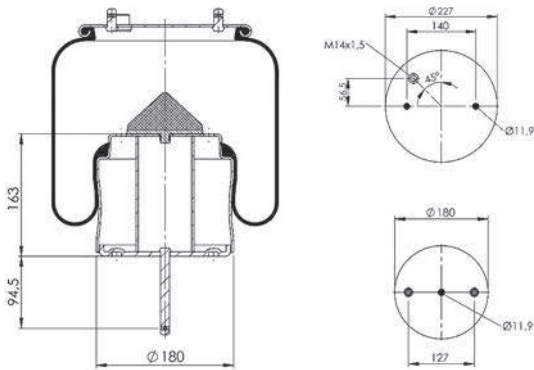
GOODYEAR 566-22-3-545
1R11-834

OEM REFERENCES

SCANIA 1726240

1600-40305 T

Pallet Size: 115*80*91 Product Weight (Kg): 8,37 Pallet Quantity: 28



CROSS REFERENCES

FIRESTONE
GOODYEAR
FIRESTONE
GOODYEAR

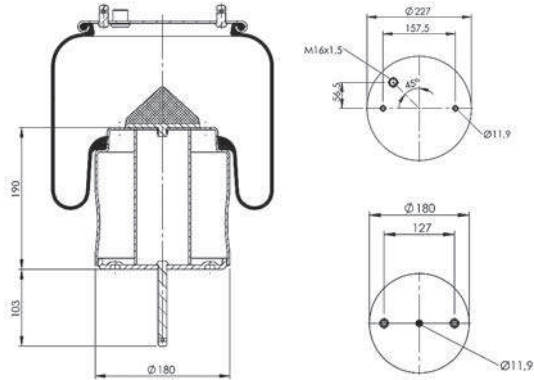
W01-095-0481
566-22-3-545
1T15LR-4
1R11-830

OEM REFERENCES

SCANIA
492680
1440305
1440859

1600-40305 T1

Pallet Size: 115*80*80 Product Weight (Kg): 8,93 Pallet Quantity: 28



CROSS REFERENCES

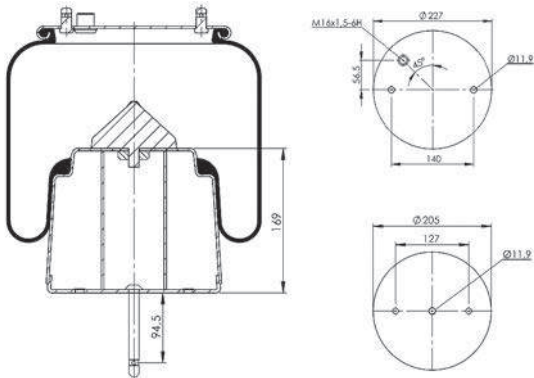
GOODYEAR
566-22-3-546
1R11-839

OEM REFERENCES

SCANIA
1726242

1600-40305 T2

Pallet Size: 115*80*80 Product Weight (Kg): 8,21 Pallet Quantity: 28



CROSS REFERENCES

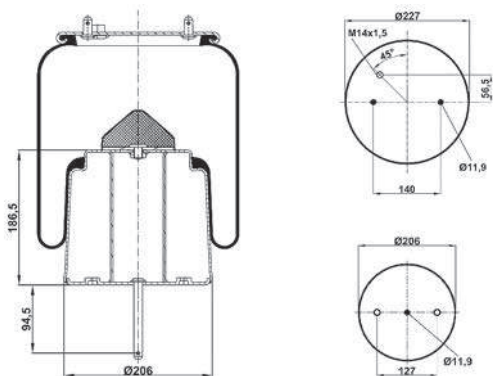
GOODYEAR
1R11-840

OEM REFERENCES

SCANIA
1726241

1600-40306 T

Pallet Size: 115*80*91 Product Weight (Kg): 8,86 Pallet Quantity: 28



CROSS REFERENCES

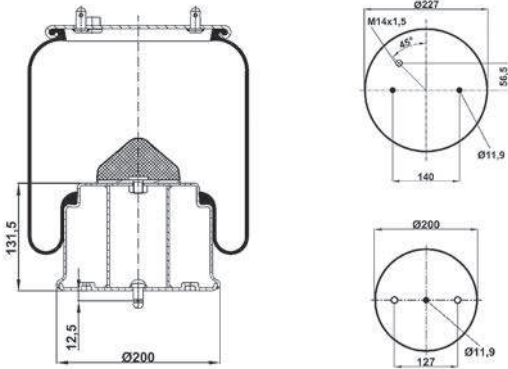
GOODYEAR
566-22-3-546
1R11-831

OEM REFERENCES

ACERBI
442678
1440306

1600-40307 T

Pallet Size: 115*80*75 Product Weight (Kg): 7,45 Pallet Quantity: 28



CROSS REFERENCES

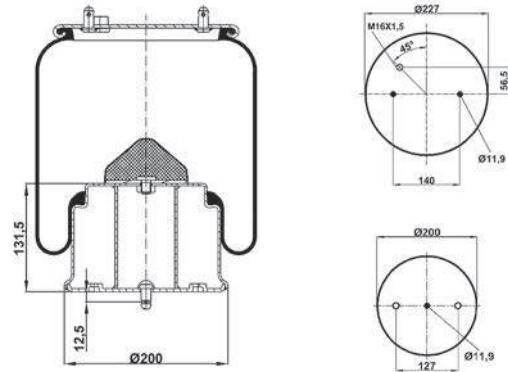
GOODYEAR 566-22-3-550
1R11-845

OEM REFERENCES

SCANIA 470919
1440307
1440860
475149

1600-40307 T1

Pallet Size: 115*80*75 Product Weight (Kg): 7,42 Pallet Quantity: 28



CROSS REFERENCES

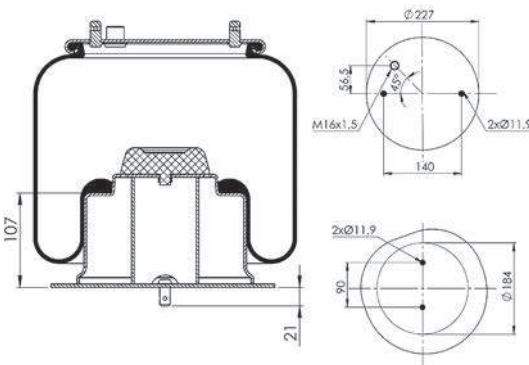
GOODYEAR 566-22-3-550
1R11-841

OEM REFERENCES

SCANIA 1726246

1600-40309 T

Pallet Size: 115*80*80 Product Weight (Kg): Pallet Quantity: 28



CROSS REFERENCES

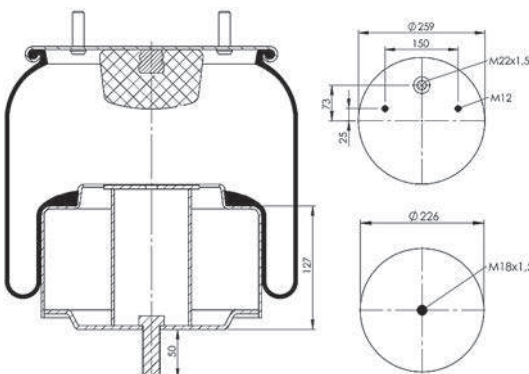
GOODYEAR 1R11-896
CONTITECH 6716 N P02

OEM REFERENCES

SCANIA 2024285
2024289

1600-50631 T

Pallet Size: 115*80*80 Product Weight (Kg): 8,90 Pallet Quantity: 28



CROSS REFERENCES

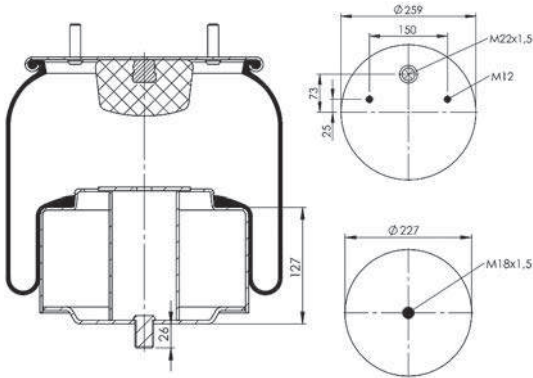
VIBRACOUSTIC V1DF25A-7
V1DF25A-1

OEM REFERENCES

SOLARIS 1001 101 044
1001 101 047
1001 101 060
1070 002 000

1600-50631 T2

Pallet Size: 115*80*80 Product Weight (Kg): 9,45 Pallet Quantity: 28



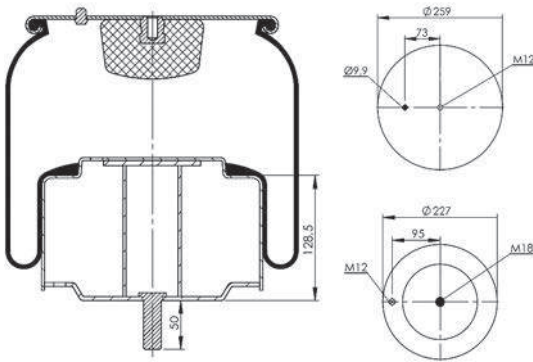
CROSS REFERENCES

OEM REFERENCES

SOLARIS 1001 101 040
1001 101 050
1070 001 000

1600-50631 T3

Pallet Size: 115*80*80 Product Weight (Kg): 8,79 Pallet Quantity: 28



CROSS REFERENCES

OEM REFERENCES

VIBRACOUSTIC V1DF25A-22 SOLARIS 0000 194 640
1001 101 045



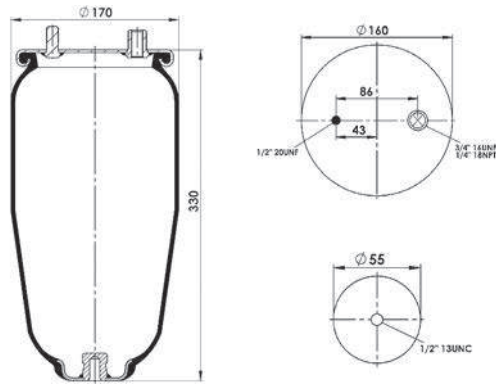
ARBENZ[®]
AUTOMOTIVE



AMERICAN TYPE

1600-0212 LA

Pallet Size: 115*80*75 Product Weight (Kg): Pallet Quantity: 48



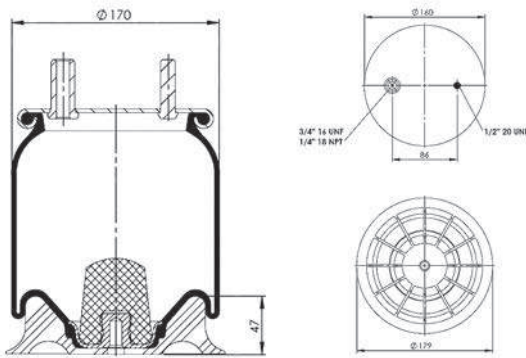
CROSS REFERENCES

FIRESTONE W01-681-0212**SA

OEM REFERENCES

1600-2119 PTA

Pallet Size: 115*80*80 Product Weight (Kg): 2,58 Pallet Quantity: 45



CROSS REFERENCES

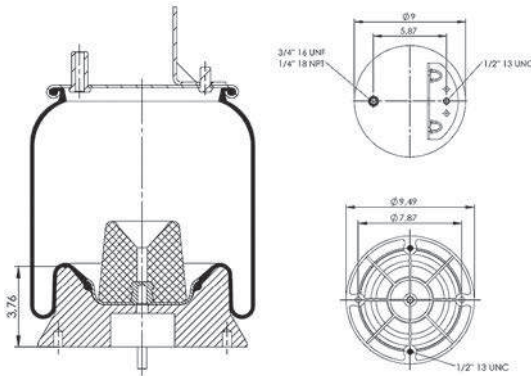
FIRESTONE W01-358-2119
CONTITECH 66.5B-11 S 027

OEM REFERENCES

ROWE TRUCK ASC1400HL
HENDRICKSON S-2394
GRANNING 5122

1600-2543 PTA

Pallet Size: 115*80*80 Product Weight (Kg): Pallet Quantity: 28



CROSS REFERENCES

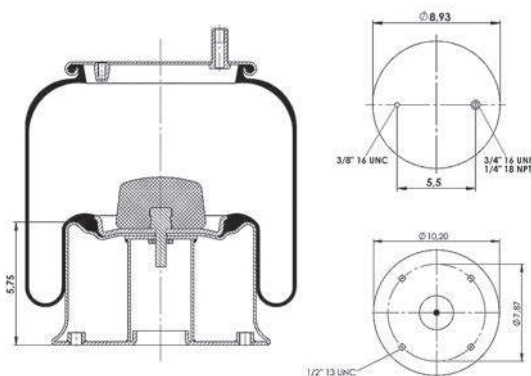
CONTITECH 9 10-14 PT75 (BK)
GOODYEAR 1R12-543

OEM REFERENCES

SAF HOLLAND 90557275

1600-2642 TA

Pallet Size: 115*80*80 Product Weight (Kg): 10,91 Pallet Quantity: 28



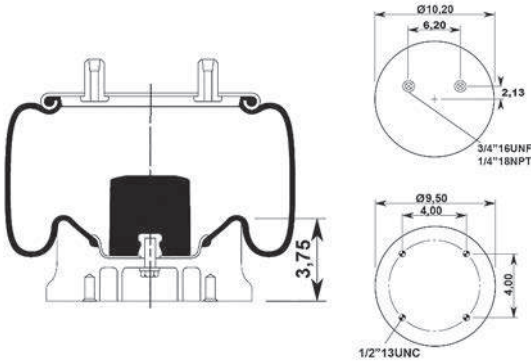
CROSS REFERENCES

GOODYEAR 1R12-642**CA
566-24-3-038

OEM REFERENCES

1600-3155 TA

Pallet Size: 115*80*75 Product Weight (Kg): 10,48 Pallet Quantity: 28



CROSS REFERENCES

FIRESTONE
GOODYEAR
GOODYEAR
CONTITECH

W01-358-8637
566-26-3-071
1R13-155
10 10-16 S 724

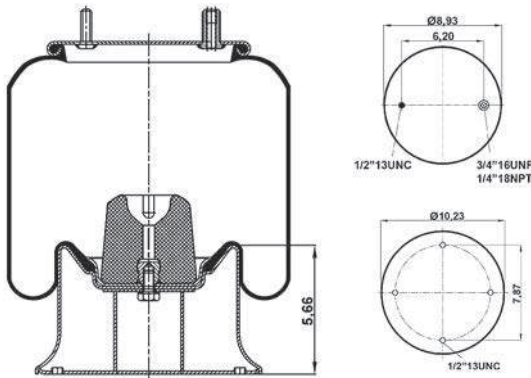
OEM REFERENCES

WATSON & CHALIN
WATSON & CHALIN
TRIANGLE

AS0107
AS0107G
8724

1600-4156 TA4

Pallet Size: 115*80*80 Product Weight (Kg): 10,39 Pallet Quantity: 28



CROSS REFERENCES

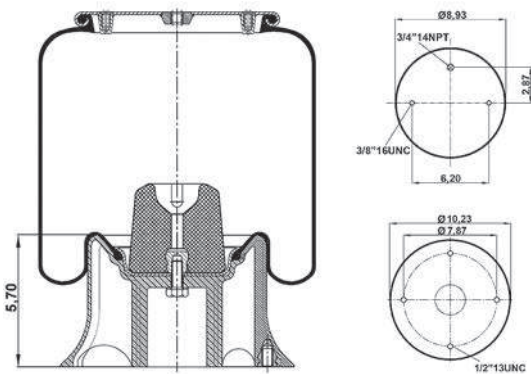
CONTITECH

4156 N P04**CA

OEM REFERENCES

1600-4156 PT6

Pallet Size: 115*80*75 Product Weight (Kg): 6,81 Pallet Quantity: 28

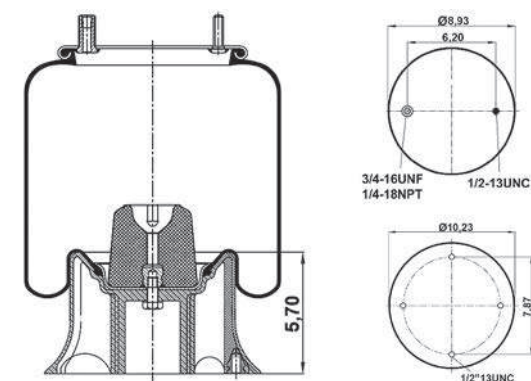


CROSS REFERENCES

OEM REFERENCES

1600-4156 PT8

Pallet Size: 115*80*80 Product Weight (Kg): 10,39 Pallet Quantity: 28



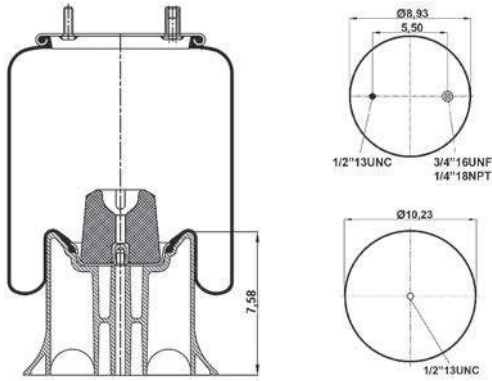
CROSS REFERENCES

OEM REFERENCES

WATSON & CHALIN	AS-0011
TRIANGLE	8310
TOYO	TRL240/393
RIDEWELL	1003589082C
REYCO	12882-01
R&S TRUCK&BODY	1090217
NEWAY	90044200/90044647
NEWAY	90557033/90557054
NAVISTAR	517559C9
LOADGUARD	SC2035
HUTCHENS	H-9630-01
HENDRICKSON	36514-7
HENDRICKSON	B2066
HENDRICKSON	B12514-007
HENDRICKSON	S11651
HDA	PMABG9082B
GRANNING	1359 / 1528 / 2727
DAYTON	352-9082
BELLE TRAILERS	BT0319

1600-4159 PT11

Pallet Size: 115*80*91 Product Weight (Kg): 7,30 Pallet Quantity: 28



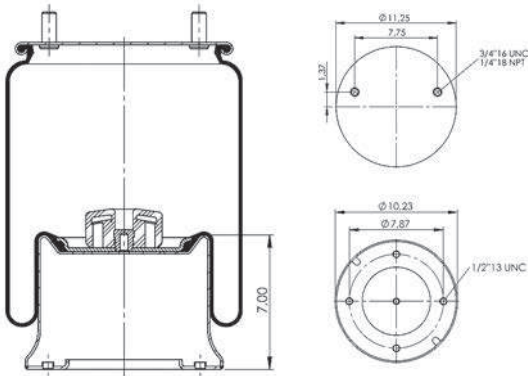
CROSS REFERENCES

CONTITECH 4159 N P11

OEM REFERENCES

1600-4201 TA

Pallet Size: 115*80*91 Product Weight (Kg): Pallet Quantity: 24



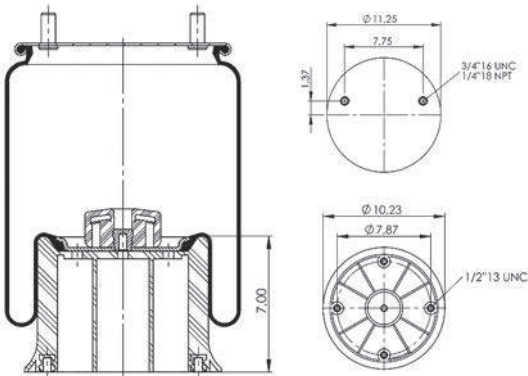
CROSS REFERENCES

GOODYEAR 1R14-201**CA
CONTITECH 11 10.5-21 A
965**CA

OEM REFERENCES

1600-4201 PTA

Pallet Size: 115*80*91 Product Weight (Kg): 9,59 Pallet Quantity: 24



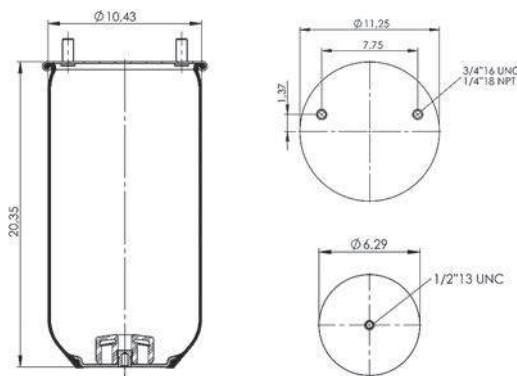
CROSS REFERENCES

GOODYEAR 1R14-201
CONTITECH 11 10.5-21 A 965

OEM REFERENCES

1600-4201 LA

Pallet Size: 115*80*80 Product Weight (Kg): Pallet Quantity: 24



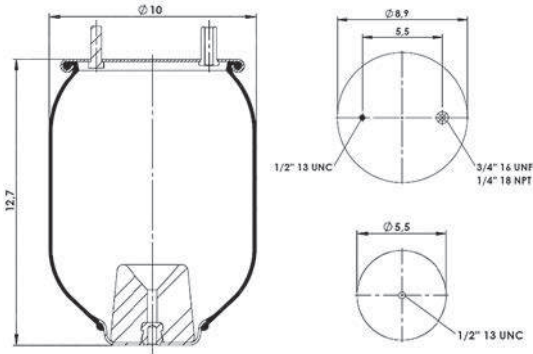
CROSS REFERENCES

GOODYEAR 1R14-201**SA
CONTITECH 11 10.5-21 A
965**SA

OEM REFERENCES

1600-4619 LA

Pallet Size: 115*80*75 Product Weight (Kg): Pallet Quantity: 28



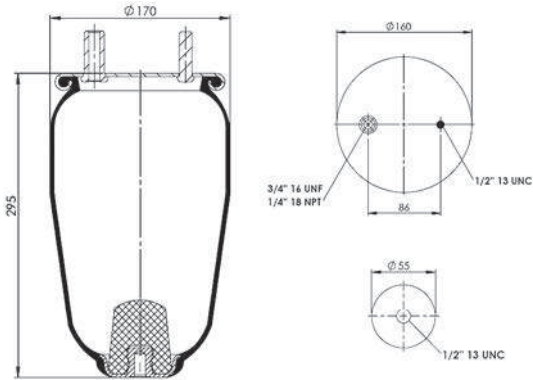
CROSS REFERENCES

CONTITECH 64619

OEM REFERENCES

1600-5323 LA

Pallet Size: 115*80*75 Product Weight (Kg): Pallet Quantity: 48



CROSS REFERENCES

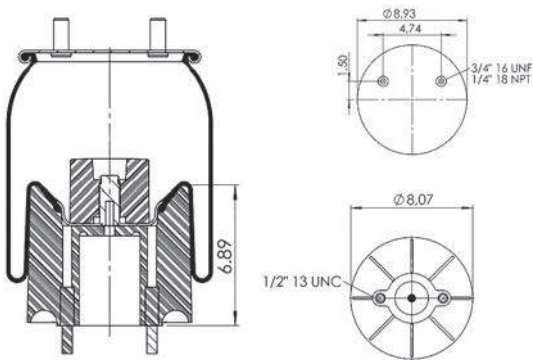
FIRESTONE W01-358-5323**SA
CONTITECH 6.6.5-11 S 032**SA
FIRESTONE 1T14C-1

OEM REFERENCES

RIDEWELL 1003585323C
GRANNING 7504

1600-6262 PTA

Pallet Size: 115*80*75 Product Weight (Kg): Pallet Quantity: 28



CROSS REFERENCES

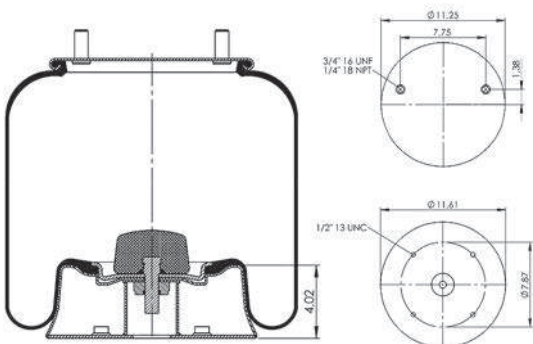
FIRESTONE W01 358 6262

OEM REFERENCES

MERITOR 2 122 7742

1600-8050 TA

Pallet Size: 115*80*91 Product Weight (Kg): 11,93 Pallet Quantity: 24



CROSS REFERENCES

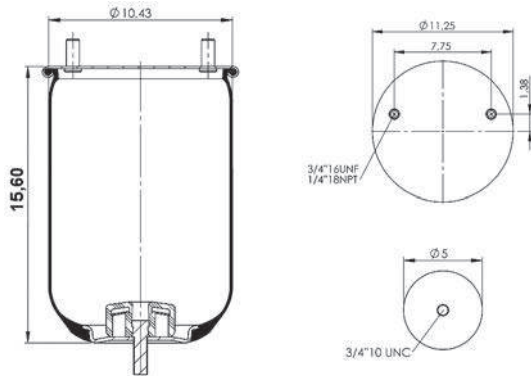
FIRESTONE W01-358-8050
VIBRACOUSTIC V1DK28A-8050
FIRESTONE 1T19ZK-5.7
GOODYEAR 1R14-039
CONTITECH 1110.5C-16A320

OEM REFERENCES

WESTAR PART 87-78050
NAVISTAR 1685174C1
LOADGUARD SC2052
HENDRICKSON B-4771
HENDRICKSON S4771
EUCLID PART E-FS8050
DAYTON 352-8050
AUTOMANN PART 1D28K-8050

1600-8050 LA

Pallet Size: 115*80*75 Product Weight (Kg): 4,14 Pallet Quantity: 24


CROSS REFERENCES

 FIRESTONE
 FIRESTONE
 GOODYEAR

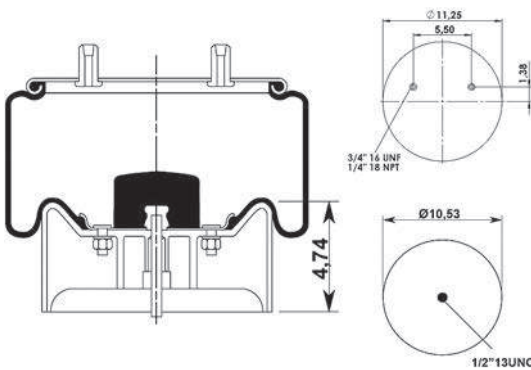
 W01-358-8050**SA
 1T19J-6
 1R14-039

OEM REFERENCES

WATSON & CHALIN	AS-0039
TRIANGLE	8320
RIDEWELL	1003588050C
REYCO GRANNING	23631-01
NAVISTAR	1685174C1
LOADGUARD	SC2052
HENDRICKSON	B12514-013
HENDRICKSON	S4771
DAYTON	352-8050

1600-8091 PTA

Pallet Size: 115*80*80 Product Weight (Kg): 7,61 Pallet Quantity: 22


CROSS REFERENCES

 FIRESTONE
 GOODYEAR
 CONTITECH

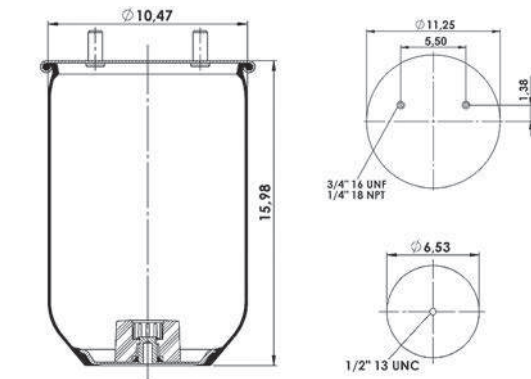
 W01-358-8091
 1R14-171
 1110.5A-16P532

OEM REFERENCES

HENDRICKSON	S20901
HENDRICKSON	S21784

1600-8091 LA

Pallet Size: 115*80*75 Product Weight (Kg): Pallet Quantity: 22

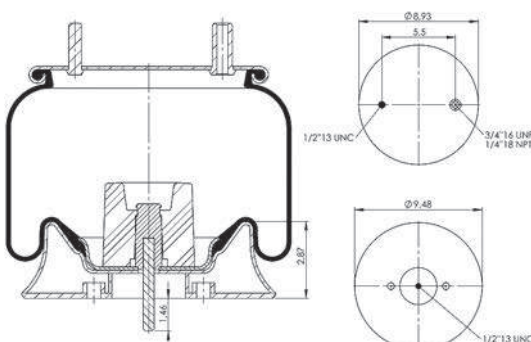

CROSS REFERENCES

FIRESTONE

W01-358-8091**SA

OEM REFERENCES
1600-8204 TA

Pallet Size: 115*80*65 Product Weight (Kg): Pallet Quantity: 28


CROSS REFERENCES

GOODYEAR

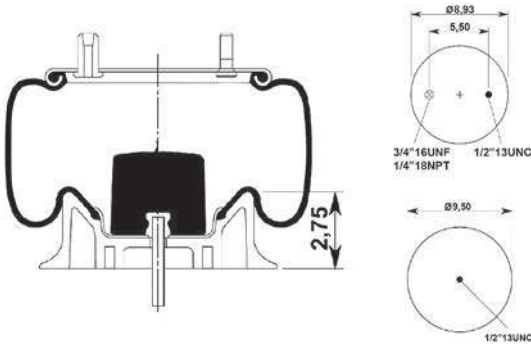
1R12-508**CA

OEM REFERENCES

TRIANGLE	8484
NEWAY	90557173
NEWAY	90557223

1600-8204 PTA

Pallet Size: 115*80*80 Product Weight (Kg): 5,24 Pallet Quantity: 28



CROSS REFERENCES

FIRESTONE
GOODYEAR

W01-358-8204
1R12-508**CPL

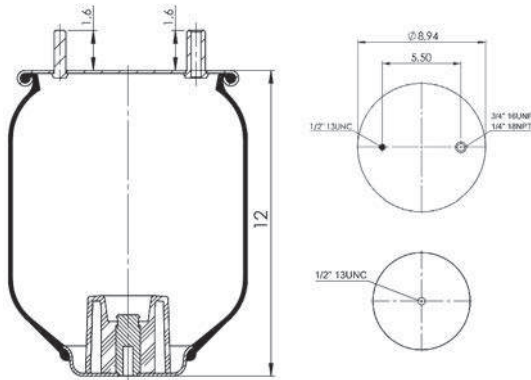
OEM REFERENCES

TRIANGLE
NEWAY
NEWAY

8484
90557173
90557223

1600-8204 LA

Pallet Size: 115*80*75 Product Weight (Kg): 3,89 Pallet Quantity: 28



CROSS REFERENCES

FIRESTONE
GOODYEAR

W01-358-8204**SA
1R12-508**SA

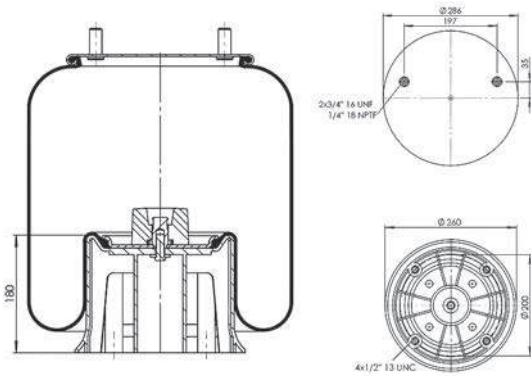
OEM REFERENCES

TRIANGLE
NEWAY
NEWAY

8484
90557173
90557223

1600-8533 PTA

Pallet Size: 115*80*91 Product Weight (Kg): 9,53 Pallet Quantity: 24



CROSS REFERENCES

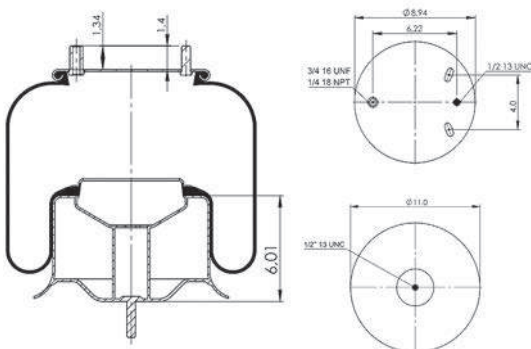
FIRESTONE

W01-358-8533

OEM REFERENCES

1600-8536 TA

Pallet Size: 115*80*80 Product Weight (Kg): 9,15 Pallet Quantity: 24



CROSS REFERENCES

FIRESTONE

W01-377-8536**CA

OEM REFERENCES

1600-8536 PTA

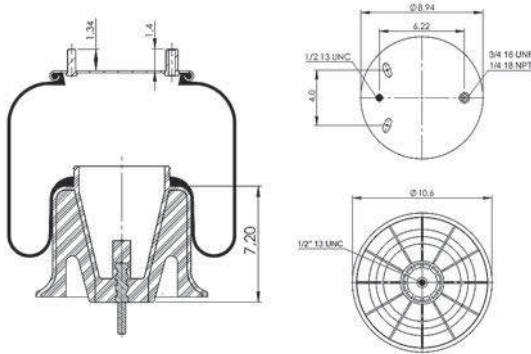
Pallet Size: 115*80*80 Product Weight (Kg): 5,95 Pallet Quantity: 24

CROSS REFERENCES

FIRESTONE

W01-377-8536**CPL

OEM REFERENCES



1600-8536 TALU

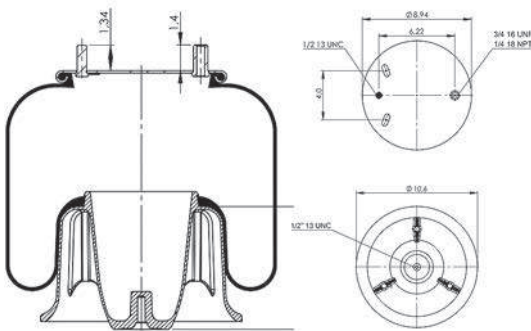
Pallet Size: 115*80*80 Product Weight (Kg): 6,21 Pallet Quantity: 24

CROSS REFERENCES

FIRESTONE

W01-377-8536

OEM REFERENCES



1600-8536 LA

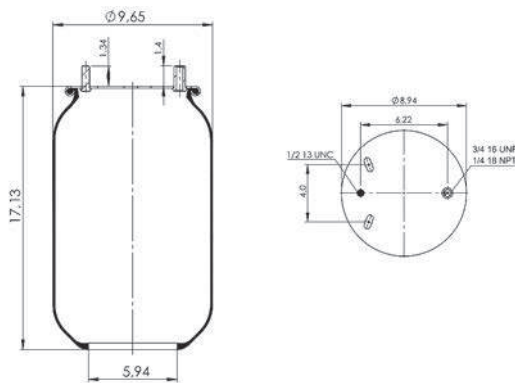
Pallet Size: 115*80*75 Product Weight (Kg): 4,42 Pallet Quantity: 28

CROSS REFERENCES

FIRESTONE

W01-377-8536**SA

OEM REFERENCES



1600-8614 TA

Pallet Size: 115*80*75 Product Weight (Kg): 9,78 Pallet Quantity: 24

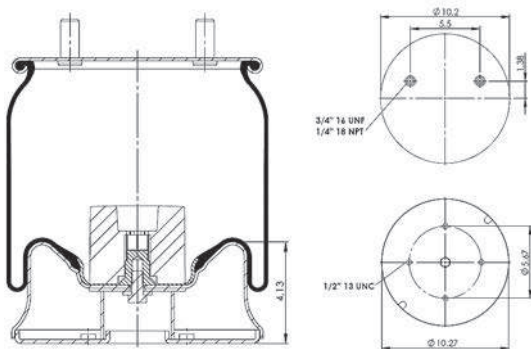
CROSS REFERENCES

FIRESTONE
FIRESTONE

W01-358-8614
1T17CA-3

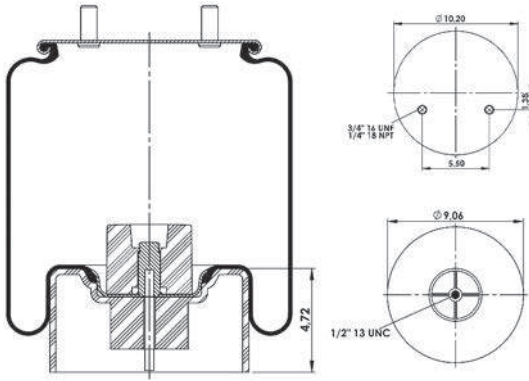
OEM REFERENCES

HENDRICKSON TRAILER S26773



1600-8708 PTA

Pallet Size: 115*80*80 Product Weight (Kg): 6,62 Pallet Quantity: 24



CROSS REFERENCES

FIRESTONE
GOODYEAR

W01-358-8708
1R13-177

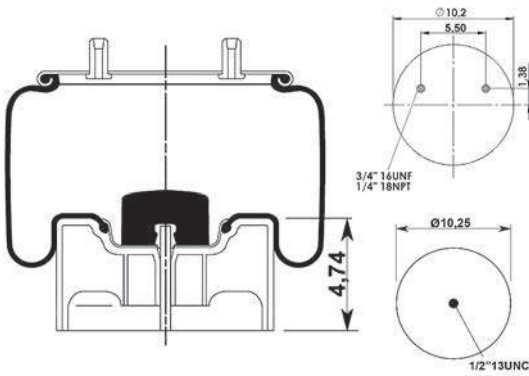
OEM REFERENCES

HENDRICKSON

S21966

1600-8709 PTA

Pallet Size: 115*80*75 Product Weight (Kg): 6,10 Pallet Quantity: 24



CROSS REFERENCES

FIRESTONE
GOODYEAR
CONTITECH

W01-358-8709
1R13-159
1010.5-15P460

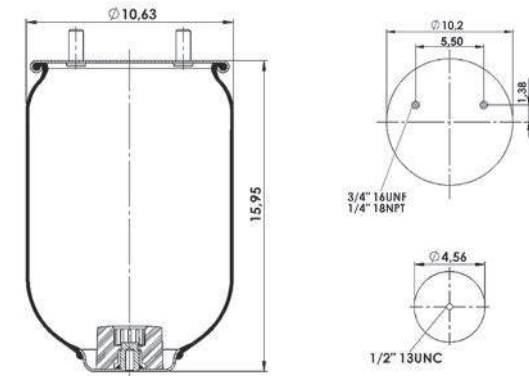
OEM REFERENCES

HENDRICKSON
HENDRICKSON

S20900
S21800

1600-8709 LA

Pallet Size: 115*80*75 Product Weight (Kg): Pallet Quantity: 24



CROSS REFERENCES

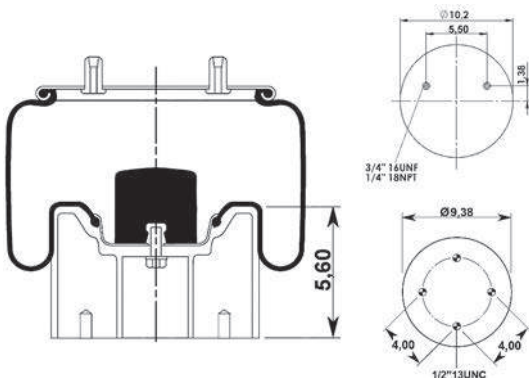
FIRESTONE

W01-358-8709**SA

OEM REFERENCES

1600-8710 TA

Pallet Size: 115*80*91 Product Weight (Kg): 9,76 Pallet Quantity: 28



CROSS REFERENCES

FIRESTONE
CONTITECH

W01-358-8710
1010-155711

OEM REFERENCES

HENDRICKSON
HENDRICKSON

S21264
S22046

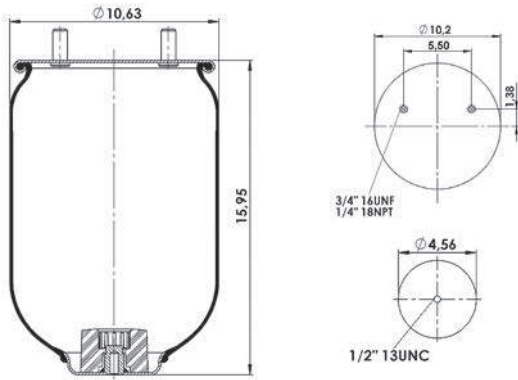
1600-8710 LA

Pallet Size: 115*80*80 Product Weight (Kg): Pallet Quantity: 28

CROSS REFERENCES

FIRESTONE W01-358-8710**SA

OEM REFERENCES



1600-8713 PTA

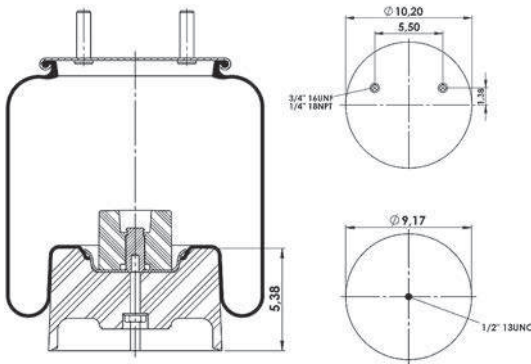
Pallet Size: 115*80*91 Product Weight (Kg): 6,89 Pallet Quantity: 24

CROSS REFERENCES

FIRESTONE W01-358-8713

OEM REFERENCES

HENDRICKSON S22948



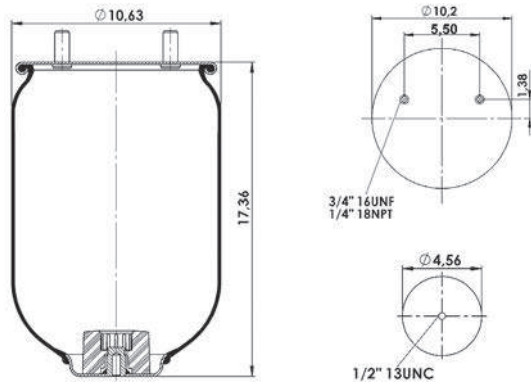
1600-8713 LA

Pallet Size: 115*80*80 Product Weight (Kg): Pallet Quantity: 24

CROSS REFERENCES

FIRESTONE W01-358-8713**SA

OEM REFERENCES



1600-8729 PTA

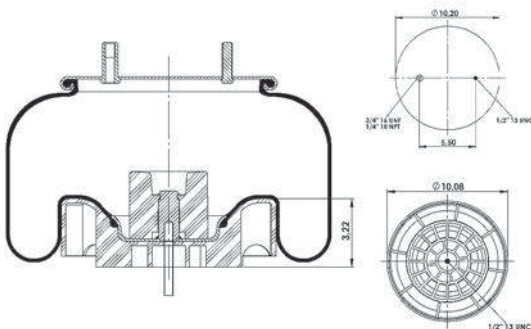
Pallet Size: 115*80*75 Product Weight (Kg): 5,97 Pallet Quantity: 24

CROSS REFERENCES

FIRESTONE W01-358-8729

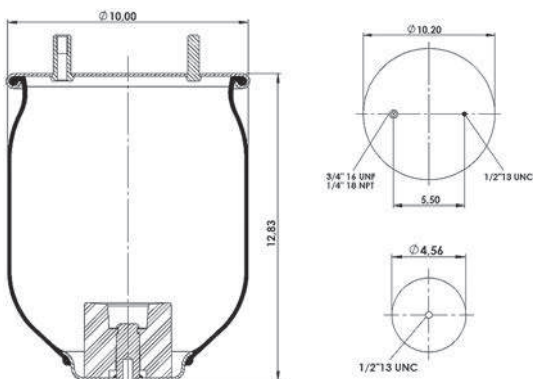
OEM REFERENCES

MERITOR 202796



1600-8729 LA

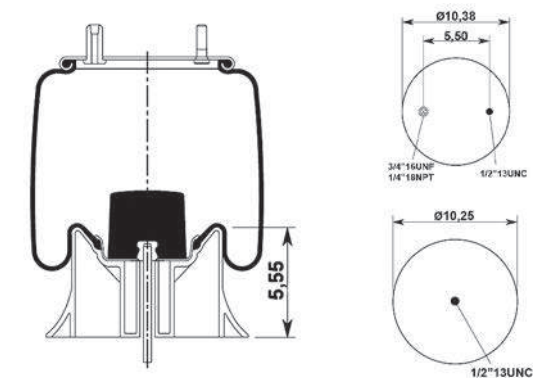
Pallet Size: 115*80*75 Product Weight (Kg): Pallet Quantity: 24


CROSS REFERENCES

FIRESTONE W01-358-8729**SA

OEM REFERENCES
1600-8748 PTA

Pallet Size: 115*80*91 Product Weight (Kg): Pallet Quantity: 24


CROSS REFERENCES

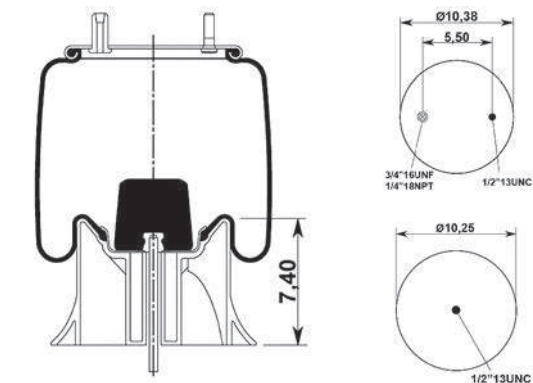
 FIRESTONE 1T17B-11 W01 358 8748
 GOODYEAR 1R13-152
 CONTITECH 10 10-21 P 570

OEM REFERENCES

NEWAY 90557167

1600-8749 PTA

Pallet Size: 115*80*91 Product Weight (Kg): Pallet Quantity: 24


CROSS REFERENCES

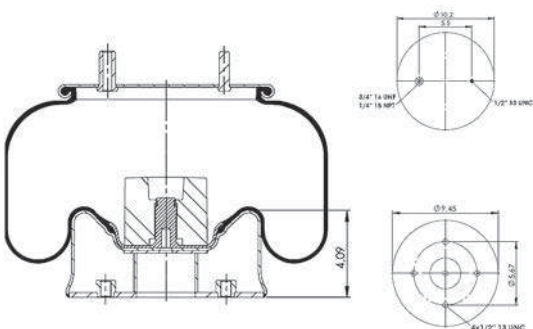
 FIRESTONE 1T17B-11 W01 358 8749
 GOODYEAR 1R13-153
 CONTITECH 10 10-21 P 486

OEM REFERENCES

 TRIANGLE 8486 6394
 NEWAY 90557168

1600-8752 TA

Pallet Size: 115*80*91 Product Weight (Kg): 9,74 Pallet Quantity: 28


CROSS REFERENCES

 FIRESTONE W01-358-8752
 GOODYEAR 1R13-097
 CONTITECH 1010-155518

OEM REFERENCES

 WATSON & CHALIN AS-0084
 TRIANGLE 8518
 SUSPENSIONS INC 201642
 RIDEWELL 1003588752C

1600-8752 LA

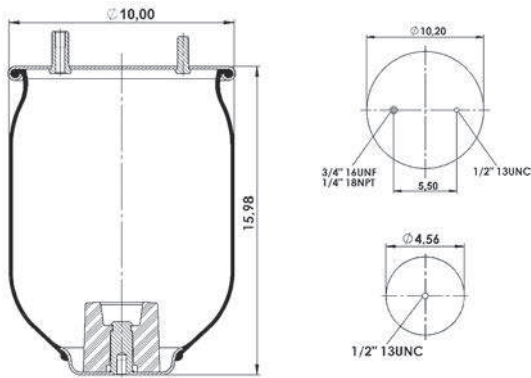
Pallet Size: 115*80*80 Product Weight (Kg): Pallet Quantity: 28

CROSS REFERENCES

FIRESTONE

OEM REFERENCES

W01-358-8752**SA



1600-8753 TA

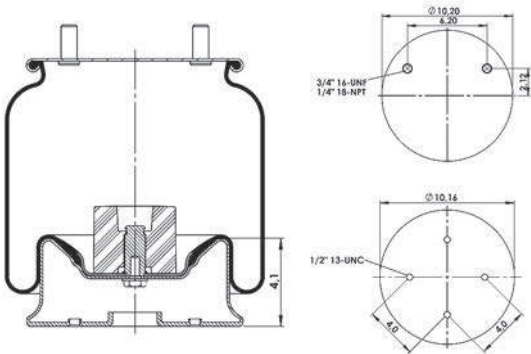
Pallet Size: 115*80*91 Product Weight (Kg): Pallet Quantity: 28

CROSS REFERENCES

FIRESTONE

OEM REFERENCES

W01-358-8753



1600-8755 TA

Pallet Size: 115*80*91 Product Weight (Kg): 9,55 Pallet Quantity: 28

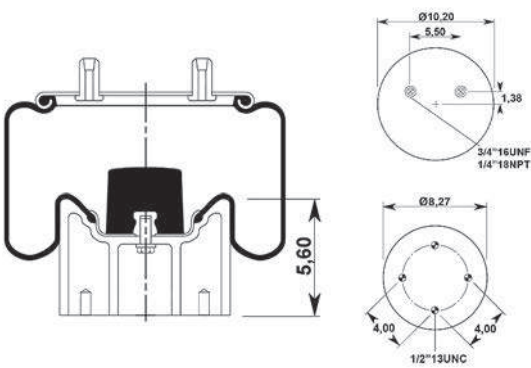
CROSS REFERENCES

FIRESTONE
GOODYEAR
CONTITECH

W01-358-8755
1R13-124
1010-155522

OEM REFERENCES

TRIANGLE 8522
HENDRICKSON S22045



1600-8755 LA

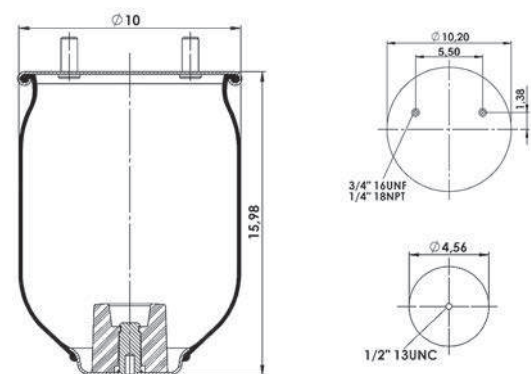
Pallet Size: 115*80*80 Product Weight (Kg): Pallet Quantity: 28

CROSS REFERENCES

FIRESTONE

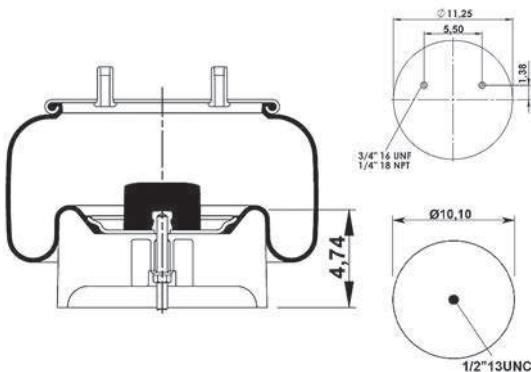
OEM REFERENCES

W01-358-8755**SA



1600-8774 PTA

Pallet Size: 115*80*91 Product Weight (Kg): 7,50 Pallet Quantity: 28



CROSS REFERENCES

FIRESTONE
GOODYEAR
CONTITECH

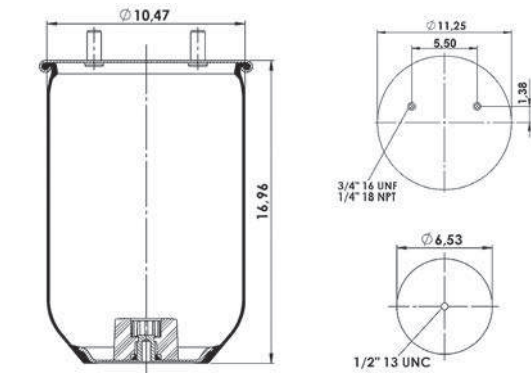
W01-358-8774
1R14-172
1110.5F-17P745

OEM REFERENCES

HENDRICKSON S25873

1600-8774 LA

Pallet Size: 115*80*80 Product Weight (Kg): Pallet Quantity: 28



CROSS REFERENCES

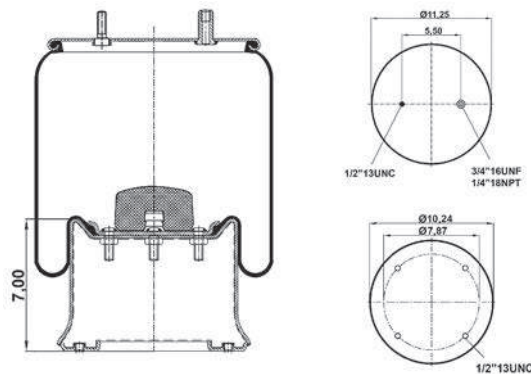
FIRESTONE

W01-358-8774**SA

OEM REFERENCES

1600-8792 TA

Pallet Size: 115*80*91 Product Weight (Kg): 11,87 Pallet Quantity: 24



CROSS REFERENCES

FIRESTONE
CONTITECH
GOODYEAR
CONTITECH

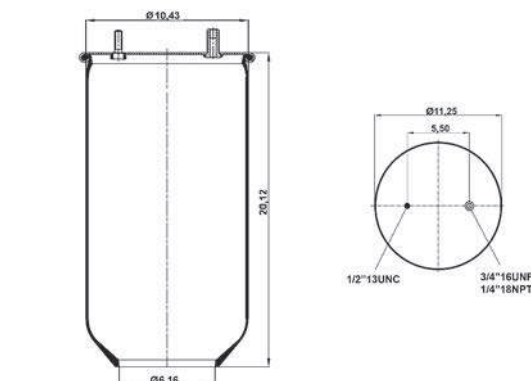
W01-358-8792
4811NP03
1R14-045
1110.5-21A313

OEM REFERENCES

WESTAR PART 87-79122
WATSON & CHALIN AS-0023
TRIANGLE 8313
SAURER P50-732
RIDEWELL 1003589122C
REYCO GRANNING 12883-02
NEWAY 90557020
NEWAY 90557076
NEWAY 90557077
NEWAY 90557071
NEWAY 90557185
NAVISTAR 554772C1
LOADGUARD SC2041
HENDRICKSON 506003
HENDRICKSON 36514-2
HENDRICKSON 36514-8
HENDRICKSON B3467
HENDRICKSON B 3830
EUCLID PART E-FS9122
AUTOMANN PART 1D28C-9122

1600-8792 LA

Pallet Size: 115*80*80 Product Weight (Kg): Pallet Quantity: 24



CROSS REFERENCES

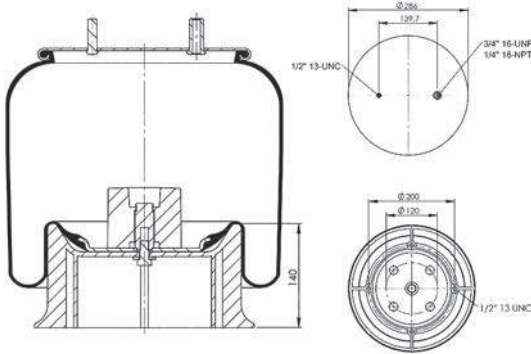
FIRESTONE
FIRESTONE

W01-358-8792**SA
1T19L-11

OEM REFERENCES

1600-8793 PTA

Pallet Size: 115*80*91 Product Weight (Kg): Pallet Quantity: 28



CROSS REFERENCES

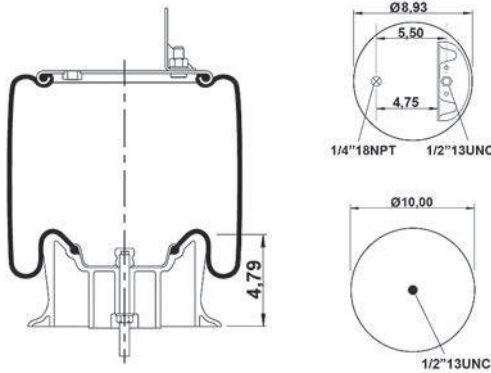
FIRESTONE W01-358-8793

OEM REFERENCES

NEWAY 90557270 AD-130

1600-8829 PTA

Pallet Size: 115*80*91 Product Weight (Kg): 6,84 Pallet Quantity: 28



CROSS REFERENCES

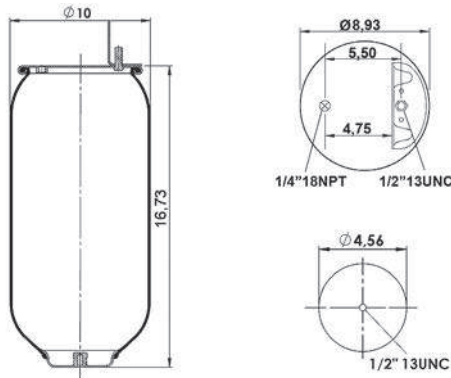
FIRESTONE W01-358-8829
 CONTITECH 910-16P449
 GOODYEAR 1S12-035
 GOODYEAR 1S12-002
 GOODYEAR 1R12-615
 GOODYEAR 1R12-405

OEM REFERENCES

VOLVO 3934699
 VOLVO 20396293
 VOLVO 20413888
 VOLVO 8079902
 VOLVO 8084296
 VOLVO 8097092
 TRIANGLE 8449

1600-8829 LA

Pallet Size: 115*80*80 Product Weight (Kg): 3,83 Pallet Quantity: 28



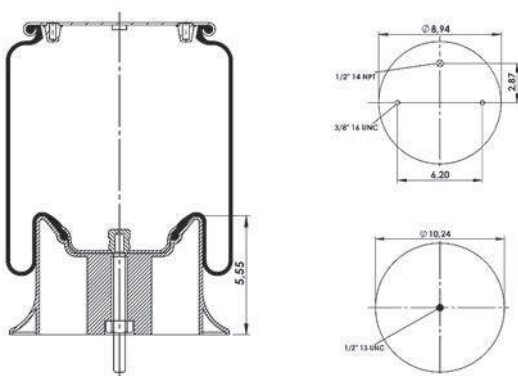
CROSS REFERENCES

FIRESTONE W01-358-8829**SA

OEM REFERENCES

1600-8852 PTA

Pallet Size: 115*80*80 Product Weight (Kg): 5,70 Pallet Quantity: 28



CROSS REFERENCES

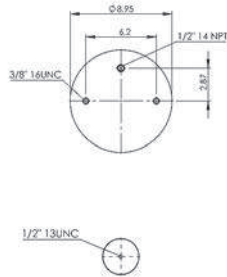
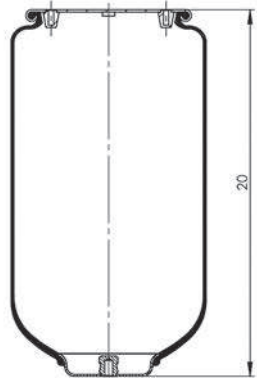
FIRESTONE W01-358-8852
 CONTITECH 91019P472
 GOODYEAR 1R12-568

OEM REFERENCES

PETERBILT 03-07887

1600-8852 LA

Pallet Size: 115*80*91 Product Weight (Kg): Pallet Quantity: 24



CROSS REFERENCES

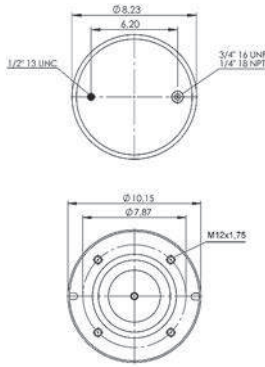
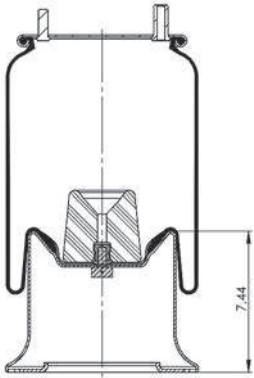
FIRESTONE
CONTITECH
GOODYEAR

W01-358-8852**SA
91019P472**SA
1R12-568**SA

OEM REFERENCES

1600-8853 TA

Pallet Size: 115*80*80 Product Weight (Kg): 9,31 Pallet Quantity: 28



CROSS REFERENCES

FIRESTONE
CONTITECH

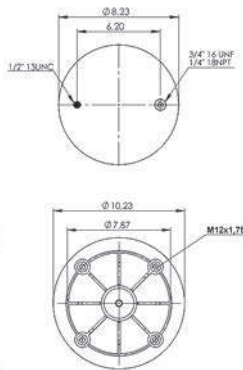
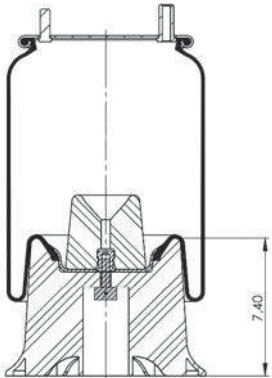
W01-358-8853
4179 N P06

OEM REFERENCES

MERITOR 21226039

1600-8853 PTA

Pallet Size: 115*80*80 Product Weight (Kg): Pallet Quantity: 28



CROSS REFERENCES

FIRESTONE
CONTITECH

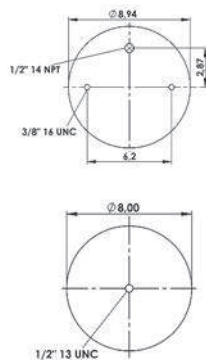
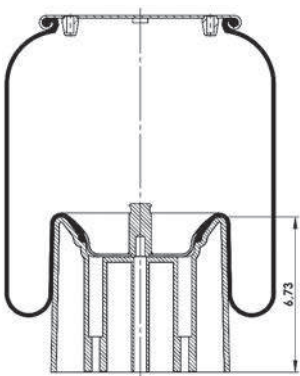
W01-358-8853**CPL
4179 N P06**CPL

OEM REFERENCES

MERITOR 21226039

1600-8864 PTA

Pallet Size: 115*80*80 Product Weight (Kg): 6,03 Pallet Quantity: 28



CROSS REFERENCES

FIRESTONE

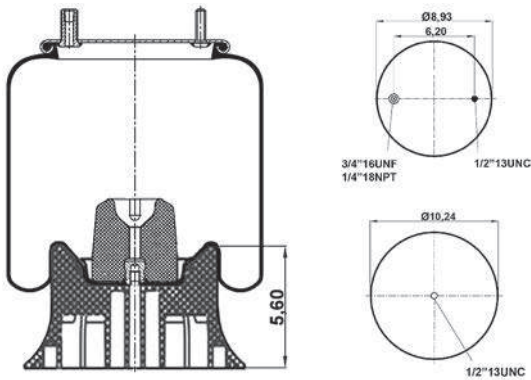
W01-358-8864

OEM REFERENCES

PETERBILT 03-08716

1600-8929 PTA

Pallet Size: 115*80*80 Product Weight (Kg): 6,85 Pallet Quantity: 28



CROSS REFERENCES

FIRESTONE
CONTITECH
GOODYEAR

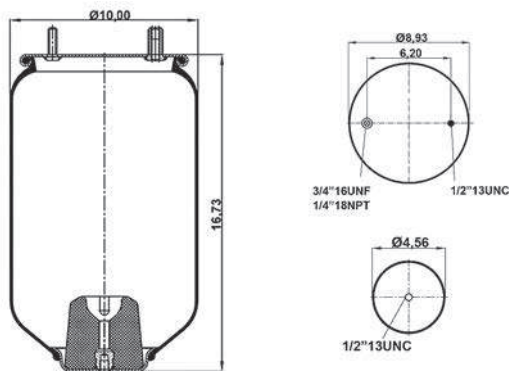
W01-358-8929
4156NP10
1R12-461

OEM REFERENCES

HENDRICKSON HA100016

1600-8929 LA

Pallet Size: 115*80*75 Product Weight (Kg): Pallet Quantity: 28



CROSS REFERENCES

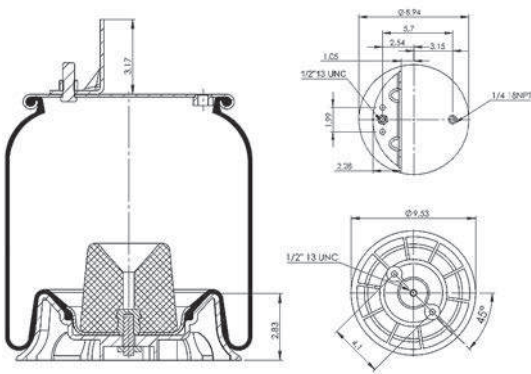
FIRESTONE

W01-358-8929**SA

OEM REFERENCES

1600-8938 PTA

Pallet Size: 115*80*65 Product Weight (Kg): 6,20 Pallet Quantity: 28



CROSS REFERENCES

FIRESTONE

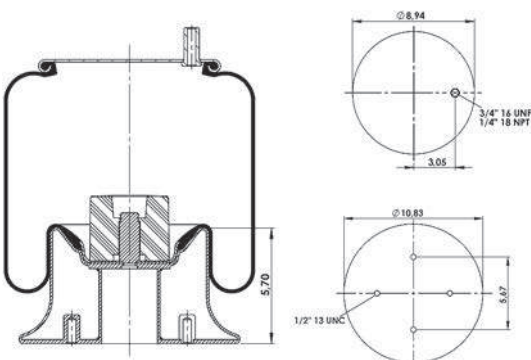
W01-358-8938

OEM REFERENCES

HENDRICKSON 58849-002

1600-8944 TA

Pallet Size: 115*80*75 Product Weight (Kg): Pallet Quantity: 28



CROSS REFERENCES

FIRESTONE
GOODYEAR

W01-358-8944
1R12-366

OEM REFERENCES

TRIANGLE
HENDRICKSON 8436
C20217

1600-8971 PTA

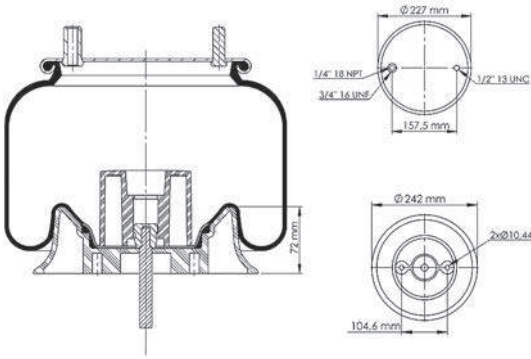
Pallet Size: 115*80*91 Product Weight (Kg): 6,30 Pallet Quantity: 28

CROSS REFERENCES

FIRESTONE W01-358-8971

OEM REFERENCES

BLUE BIRD 59484-2



1600-9010 PTA

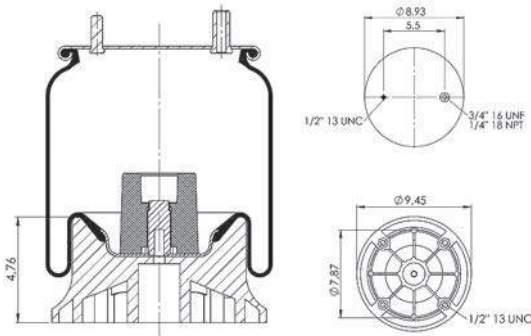
Pallet Size: 115*80*75 Product Weight (Kg): 6,11 Pallet Quantity: 28

CROSS REFERENCES

FIRESTONE W01-358-9010
CONTITECH 910-14P345
GOODYEAR 1R12-352

OEM REFERENCES

WATSON & CHALIN AS-0044
TRIANGLE 8345
RIDEWELL 1003589010C
REYCO 12928-01
HENDRICKSON B2827
HENDRICKSON S-11566
HENDRICKSON S-2827

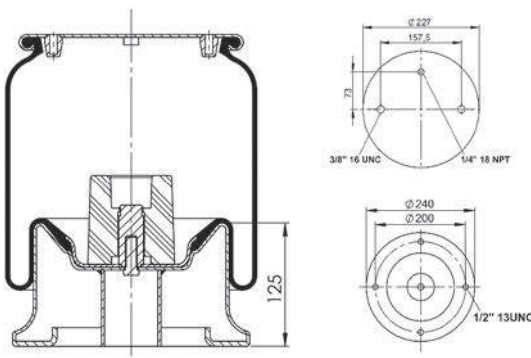


1600-9010 TA2

Pallet Size: 115*80*75 Product Weight (Kg): Pallet Quantity: 28

CROSS REFERENCES

OEM REFERENCES

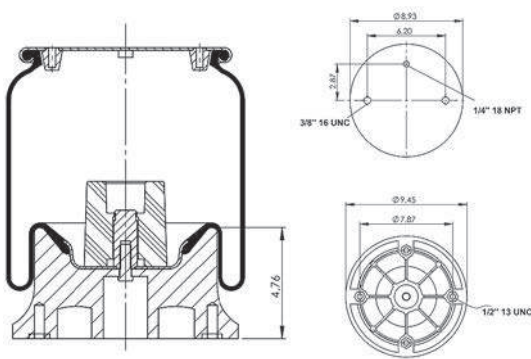


1600-9010 PT2

Pallet Size: 115*80*75 Product Weight (Kg): Pallet Quantity: 28

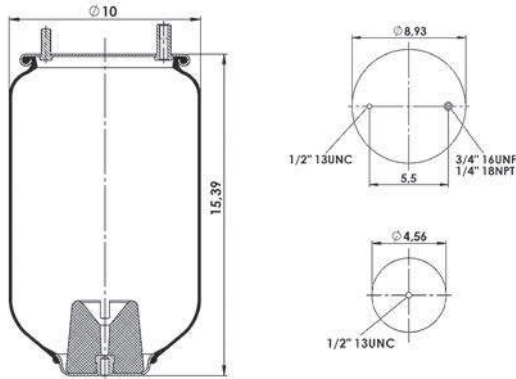
CROSS REFERENCES

OEM REFERENCES



1600-9010 LA

Pallet Size: 115*80*75 Product Weight (Kg): 6,03 Pallet Quantity: 28



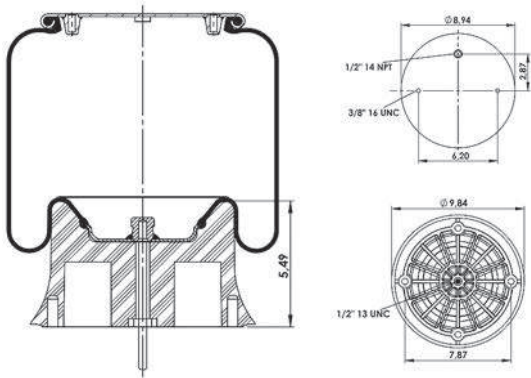
CROSS REFERENCES

FIRESTONE W01-358-9010**SA

OEM REFERENCES

1600-9026 PTA

Pallet Size: 115*80*80 Product Weight (Kg): Pallet Quantity: 28



CROSS REFERENCES

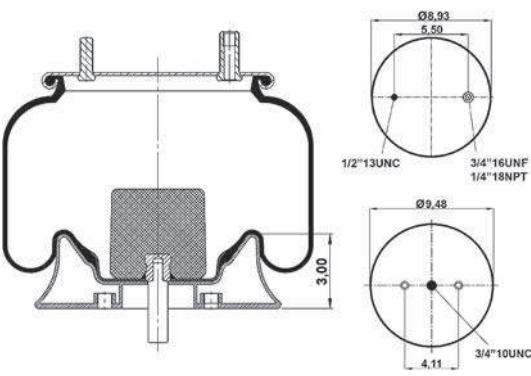
FIRESTONE W01-358-9026
GOODYEAR 1R12-567

OEM REFERENCES

TRIANGLE 8393
PETERBILT 03-06213
PETERBILT 03-07111

1600-9039 TA

Pallet Size: 115*80*91 Product Weight (Kg): 8,51 Pallet Quantity: 28



CROSS REFERENCES

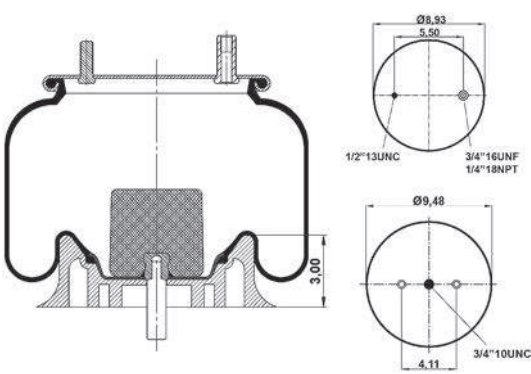
FIRESTONE W01-358-9039
CONTITECH 4150NP04
FIRESTONE 1T15M-0
GOODYEAR 1R12-095

OEM REFERENCES

WESTAR PART 87-79039
RIDEWELL 1013589039C
R.O.R./MERITOR 21208939
R.O.R./MERITOR 21211613
R.O.R./MERITOR 21216135
R&S TRUCK&BODY 1090218
NEWAY 90557023085
NEWAY 900-44-199
NEWAY 905-57-011
NEWAY 905-57-023
NEWAY 905-57-085
HENDRICKSON B2064
HENDRICKSON NA1808
EUCLID PART E-FS9039
BELLE TRAILERS BT0321
AUTOMANN PART 1DK23F-9039

1600-9039 PTA

Pallet Size: 115*80*91 Product Weight (Kg): 5,65 Pallet Quantity: 28



CROSS REFERENCES

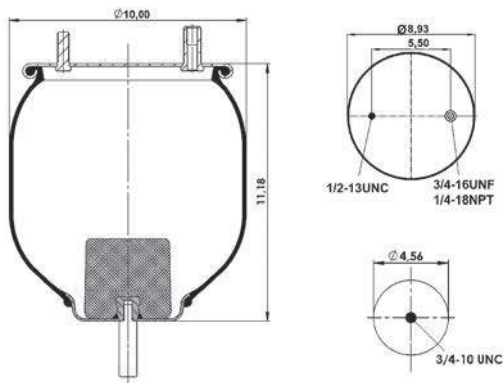
FIRESTONE W01-358-9039**CPL
CONTITECH 4150NP04**CPL
FIRESTONE 1T15M-0
GOODYEAR 1R12-095

OEM REFERENCES

R.O.R./MERITOR 21208939
R.O.R./MERITOR 21211613
R.O.R./MERITOR 21216135
NEWAY 90557011
NEWAY 90557023
NEWAY 90557085
HENDRICKSON B2064
HENDRICKSON NA1808
BELLE TRAILERS BT0321

1600-9039 LA

Pallet Size: 115*80*80 Product Weight (Kg): 4,15 Pallet Quantity: 28



CROSS REFERENCES

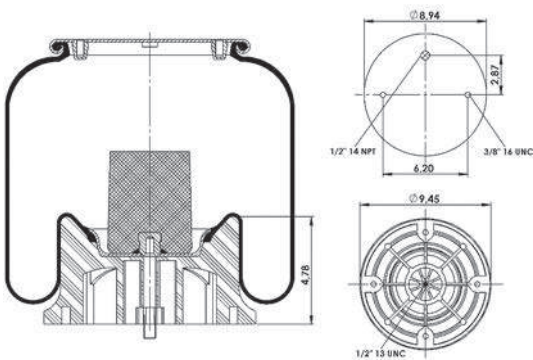
FIRESTONE	W01-358-9039**SA
CONTITECH	4150NP04
FIRESTONE	1T15M-0
GOODYEAR	1R12-095**SA

OEM REFERENCES

R.O.R/MERITOR	21208939
R.O.R/MERITOR	21211613
R.O.R/MERITOR	21216135
NEWAY	90557011
NEWAY	90557023
NEWAY	90557085
HENDRICKSON	B2064
HENDRICKSON	NA1808
BELLE TRAILERS	BT0321

1600-9069 PTA

Pallet Size: 115*80*75 Product Weight (Kg): 5,65 Pallet Quantity: 28



CROSS REFERENCES

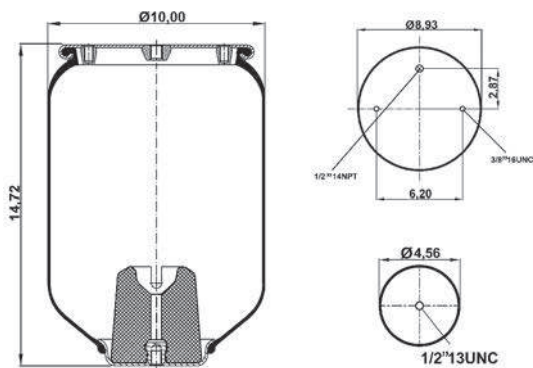
FIRESTONE	W01-358-9069
GOODYEAR	1R12-069

OEM REFERENCES

WESTAR PART	87-79069
TRIANGLE	8312
PETERBILT	37112
PETERBILT	03-01649
PETERBILT	03-02038
PETERBILT	03-02456
PETERBILT	03-04759
PETERBILT	03-07112
PETERBILT	03-10042
PETERBILT	03-06746
INTERNATIONAL/NAVISTAR	554764C1
FODEN	1300248000
EUCLID PART	E-FS9069
DAYTON	352-9069
AUTOMANN PART	1DK231-9069

1600-9069 LA

Pallet Size: 115*80*75 Product Weight (Kg): Pallet Quantity: 28



CROSS REFERENCES

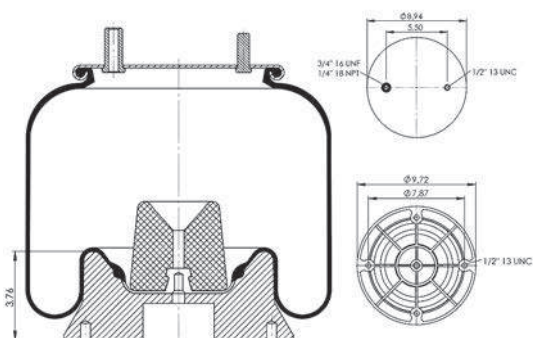
FIRESTONE	W01-358-9069**SA
FIRESTONE	1T15M-4
GOODYEAR	1R12-069**SA

OEM REFERENCES

PETERBILT	03-01649
PETERBILT	03-02038
PETERBILT	03-02456
PETERBILT	03-04759
PETERBILT	03-07112
PETERBILT	03-10042
INTERNATIONAL/NAVISTAR	554764C1
FODEN	1300248000
DAYTON	352-9069

1600-9070 PTA

Pallet Size: 115*80*75 Product Weight (Kg): 6,06 Pallet Quantity: 28



CROSS REFERENCES

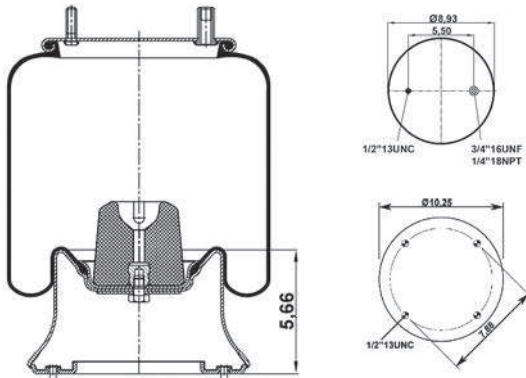
FIRESTONE	W01-358-9070
-----------	--------------

OEM REFERENCES

NEWAY	90557038
NEWAY	90557090

1600-9082 TA

Pallet Size: 115*80*80 Product Weight (Kg): 9,87 Pallet Quantity: 28



CROSS REFERENCES

FIRESTONE
VIBRACOUSTIC
CONTITECH
CONTITECH
GOODYEAR
GOODYEAR

W01-358-9082**CA
V1DK23K-9082
4156 N P14**CA
4156 NP04
1R12-093
1R12-092

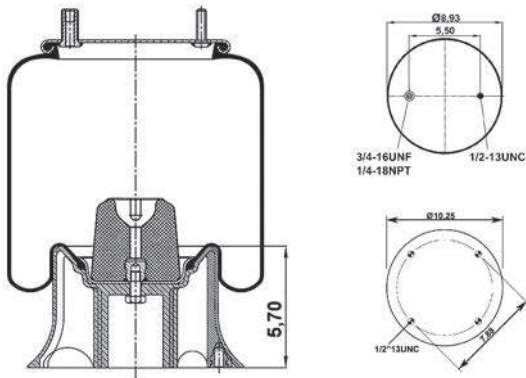
OEM REFERENCES

WESTAR PART
WATSON & CHALIN
RIDEWELL
REYCO
R&S TRUCK&BODY
NEWAY
NEWAY
NEWAY
NEWAY
NEWAY
NEWAY
HUTCHENS
HENDRICKSON
HENDRICKSON
HENDRICKSON
HENDRICKSON
EUCLID PART
BELLE TRAILERS
AUTOMANN PART

87-79082
AS-0011
1003589082C
12882-01
1090217
9055735
90557006
90557027
90557031
90557037
90557075
H-9630-01
B-12514-007
B2066
S-11651
S-2066
E-F59082
BT0319
1DK23K-9082

1600-9082 PTA

Pallet Size: 115*80*80 Product Weight (Kg): 6,23 Pallet Quantity: 28



CROSS REFERENCES

FIRESTONE
CONTITECH
FIRESTONE
GOODYEAR

W01-358-9082
4156NP14
1T15M-6
1R12-092

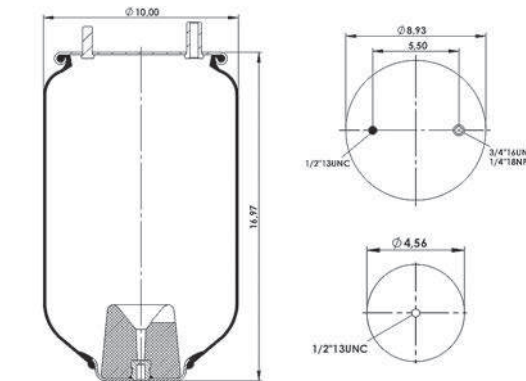
OEM REFERENCES

WEWELER
NEWAY
NEWAY
NEWAY
NEWAY
NEWAY
HENDRICKSON
BELLE TRAILERS

US09361F
90557006
90557027
90557031
90557037
90557075
B-2066
BT0319

1600-9082 LA

Pallet Size: 115*80*75 Product Weight (Kg): 4,71 Pallet Quantity: 28



CROSS REFERENCES

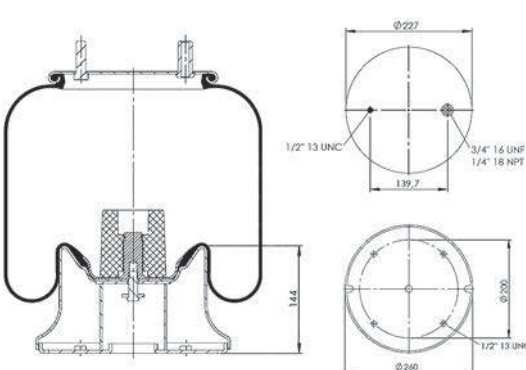
FIRESTONE
CONTITECH

W01-358-9082**SA
4156 N P01

OEM REFERENCES

1600-9084 TA

Pallet Size: 115*80*80 Product Weight (Kg): 9,87 Pallet Quantity: 28



CROSS REFERENCES

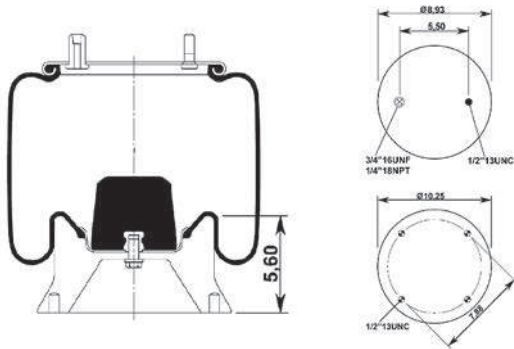
FIRESTONE

W01-358-9084**CA

OEM REFERENCES

1600-9084 PTA

Pallet Size: 115*80*80 Product Weight (Kg): 10,39 Pallet Quantity: 28



CROSS REFERENCES

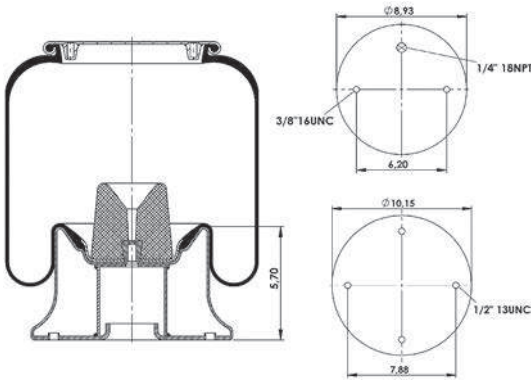
FIRESTONE 1T15M-6 / W01 681 9084
 FIRESTONE 1T15M-6
 FIRESTONE W01-358-9084

OEM REFERENCES

TUTHILL TECHNOLOGY 2692
 TRIANGLE 6363 / 8310
 KWIK LOK/TODCO CP-3281

1600-9096 TA

Pallet Size: 115*80*75 Product Weight (Kg): 9,87 Pallet Quantity: 28



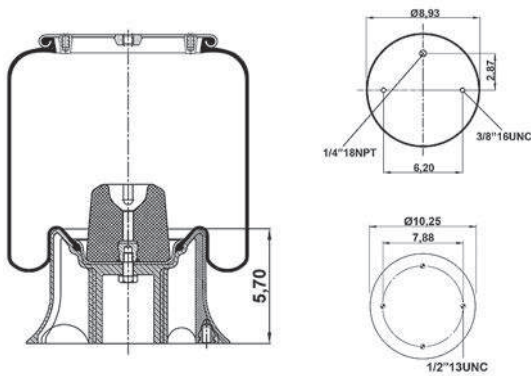
CROSS REFERENCES

FIRESTONE W01-358-9096**CA

OEM REFERENCES

1600-9096 PTA

Pallet Size: 115*80*75 Product Weight (Kg): Pallet Quantity: 28



CROSS REFERENCES

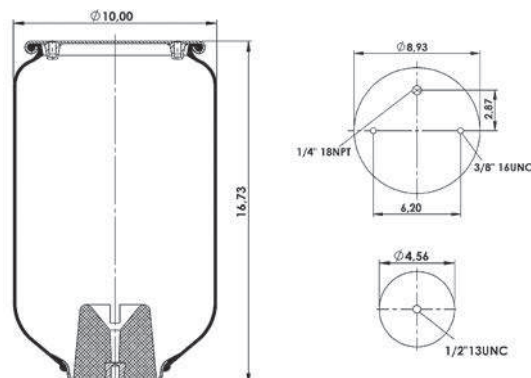
FIRESTONE W01-358-9096

OEM REFERENCES

FRUEHAUF UCE1304

1600-9096 LA

Pallet Size: 115*80*75 Product Weight (Kg): Pallet Quantity: 28



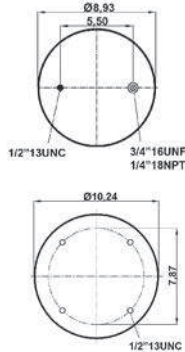
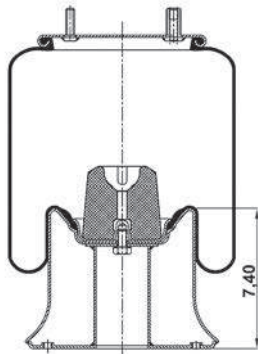
CROSS REFERENCES

FIRESTONE W01-358-9096**SA

OEM REFERENCES

1600-9101 TA

Pallet Size: 115*80*91 Product Weight (Kg): 11,22 Pallet Quantity: 28



CROSS REFERENCES

FIRESTONE
VIBRACOUSTIC
CONTITECH
CONTITECH
FIRESTONE
GOODYEAR
GOODYEAR

W01-358-9101
V1DK23L-9101
4159 N P04**CA
4159 NP04
1T15M-9
1R12-717
1R12-103

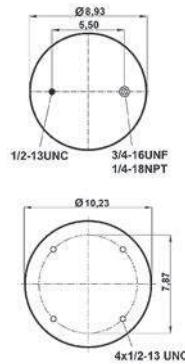
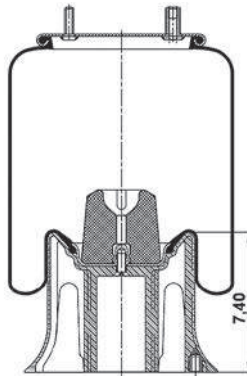
OEM REFERENCES

WESTAR PART
WATSON & CHALIN
TRIANGLE
TRANSPART
RIDEWELL
REYCO
NEWAY
NEWAY
NEWAY
HENDRICKSON
EUCLID PART
E.R.F.
AUTOMANN PART

87-79101
AS-0040
8315
531233
1003589101C
12883-01
90557008
90557009
90557082
B3842
E-FS9101
139275-4
1DK23L-9101

1600-9101 PTA

Pallet Size: 115*80*80 Product Weight (Kg): 6,99 Pallet Quantity: 28



CROSS REFERENCES

FIRESTONE
CONTITECH
GOODYEAR
FIRESTONE

W01-358-9101
4159NP12
2R12-717**CPL
1T15M-9

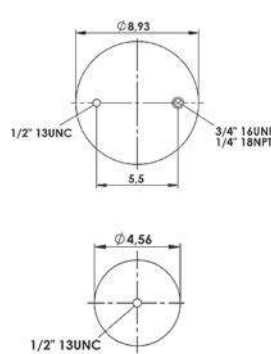
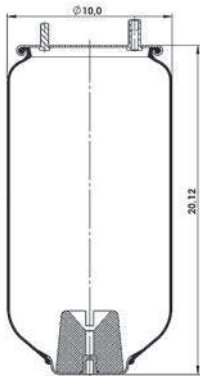
OEM REFERENCES

WATSON & CHALIN
TRANSPART
RIDEWELL
NEWAY
NEWAY
NEWAY
NEWAY
HENDRICKSON
E.R.F.

AS-0040
531233
1003589101C
90044201
90557008
90557009
90557082
B3842
139275-4

1600-9101 LA

Pallet Size: 115*80*80 Product Weight (Kg): 5,80 Pallet Quantity: 28



CROSS REFERENCES

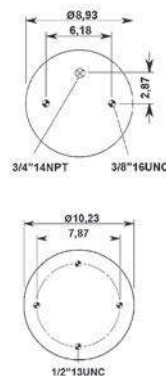
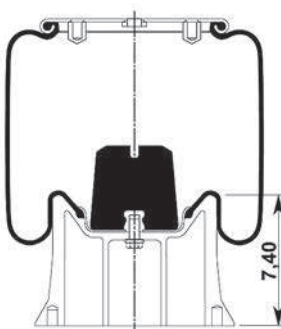
FIRESTONE
GOODYEAR

W01-358-9101**SA
1R12-113

OEM REFERENCES

1600-9104 PTA

Pallet Size: 115*80*91 Product Weight (Kg): 7,39 Pallet Quantity: 28



CROSS REFERENCES

FIRESTONE

W01-358-9104/1T 15M-9

OEM REFERENCES

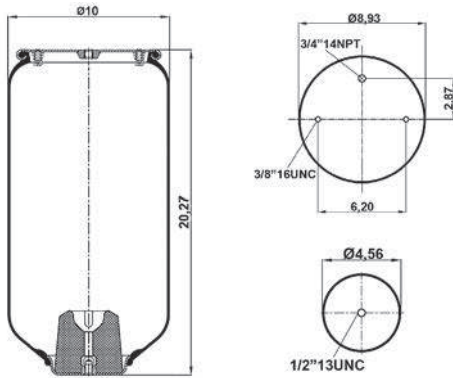
1600-9104 LA

Pallet Size: 115*80*80 Product Weight (Kg): 4,97 Pallet Quantity: 28

CROSS REFERENCES

FIRESTONE W01-358-9104**SA

OEM REFERENCES



1600-9105 PTA

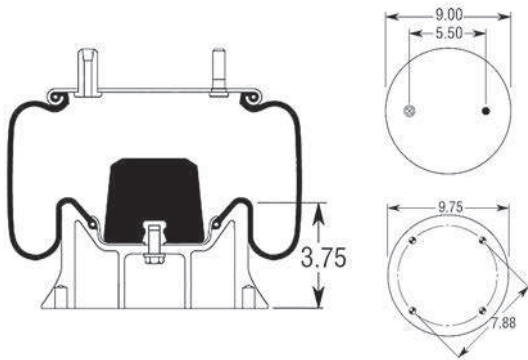
Pallet Size: 115*80*65 Product Weight (Kg): Pallet Quantity: 28

CROSS REFERENCES

FIRESTONE W01-358-9105
GOODYEAR 1R12-132**CPL

OEM REFERENCES

WATSON & CHALIN AS-0015
RIDEWELL 1003589105C
HENDRICKSON S-1245
GRANNING 5065



1600-9121 TA

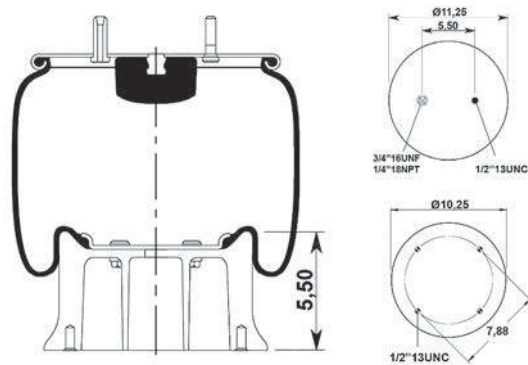
Pallet Size: 115*80*80 Product Weight (Kg): 11,79 Pallet Quantity: 24

CROSS REFERENCES

FIRESTONE W01-358-9121
CONTITECH 4810N03
GOODYEAR 1R13-049
GOODYEAR 1R13-043
GOODYEAR 1R13-039

OEM REFERENCES

WESTAR PART 87-79121
WATSON & CHALIN AS-0013
TRIANGLE 8317
SAURER P50-733
RIDEWELL 1003589121C
REYCO GRANNING 12882-02
R&S TRUCK&BODY 1090023
NEWAY 90557019
NEWAY 90557052
NEWAY 90557078
NEWAY 90557083
NEWAY AR-70(ALL)
NEWAY AR-80(6.75)
NEWAY AR-85A
EUCLID PART E-FS9121
AUTOMANN PART 1D28G-9121



1600-9121 LA

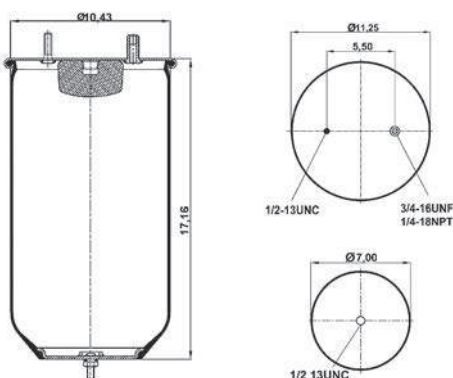
Pallet Size: 115*80*80 Product Weight (Kg): Pallet Quantity: 24

CROSS REFERENCES

FIRESTONE W01-358-9121**SA
FIRESTONE 1T19L-7
GOODYEAR 1R13-039**SA

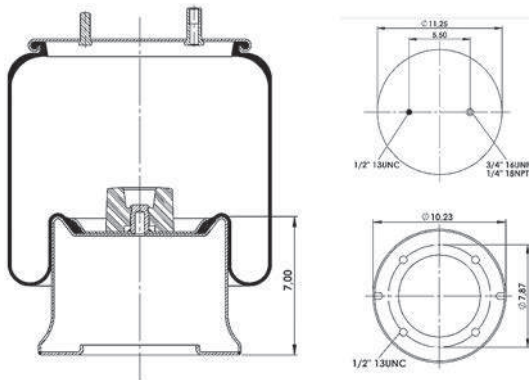
OEM REFERENCES

NEWAY 90554078
NEWAY 90557019
NEWAY 90557052
NEWAY 90557078
NEWAY 90557083



1600-9122 TA

Pallet Size: 115*80*80 Product Weight (Kg): 11,42 Pallet Quantity: 28



CROSS REFERENCES

FIRESTONE
FIRESTONE
GOODYEAR

W01-358-9122**CA
1T19L-11
1R13-038

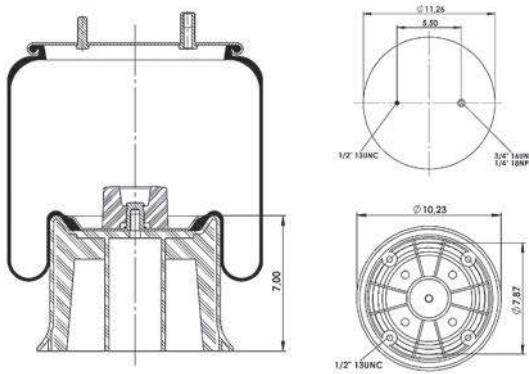
OEM REFERENCES

NEWAY
NEWAY
NEWAY
HENDRICKSON
HENDRICKSON
HENDRICKSON
HENDRICKSON
HENDRICKSON

90557020
90557076
90557077
506003
36514-2
36514-8
B3467
B3830

1600-9122 PTA

Pallet Size: 115*80*91 Product Weight (Kg): 9,31 Pallet Quantity: 28



CROSS REFERENCES

FIRESTONE
FIRESTONE
GOODYEAR

W01-358-9122
1T19L-11
1R13-038

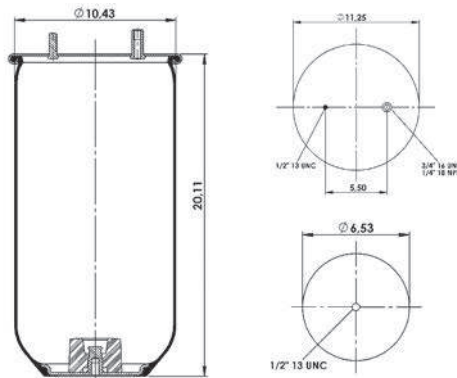
OEM REFERENCES

NEWAY
NEWAY
NEWAY
HENDRICKSON
HENDRICKSON
HENDRICKSON
HENDRICKSON
HENDRICKSON

90557020
90557076
90557077
506003
36514-2
36514-8
B3467
B3830

1600-9122 LA

Pallet Size: 115*80*75 Product Weight (Kg): 6,17 Pallet Quantity: 28



CROSS REFERENCES

FIRESTONE
GOODYEAR

1T19L-11 W01 358
9122**SA
1R13-038**SA

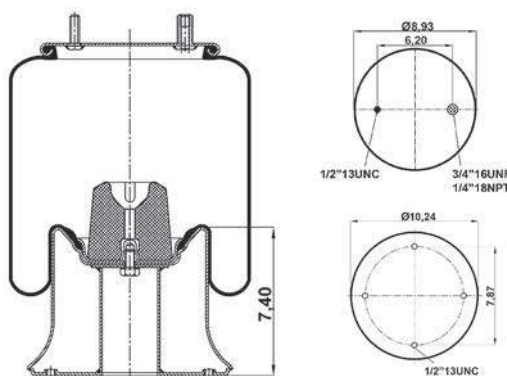
OEM REFERENCES

NEWAY
HENDRICKSON

90557 020/076/077
B3830

1600-9130 TA

Pallet Size: 115*80*91 Product Weight (Kg): 10,76 Pallet Quantity: 28



CROSS REFERENCES

FIRESTONE
CONTITECH
GOODYEAR
GOODYEAR

W01-358-9130
910-19P321
1R12-714
1R12-281

OEM REFERENCES

WESTAR PART
TRIANGLE
HENDRICKSON
EUCLID PART
AUTOMANN PART

87-79130
8321
B13161
E-FS9130
1DK23L-9130

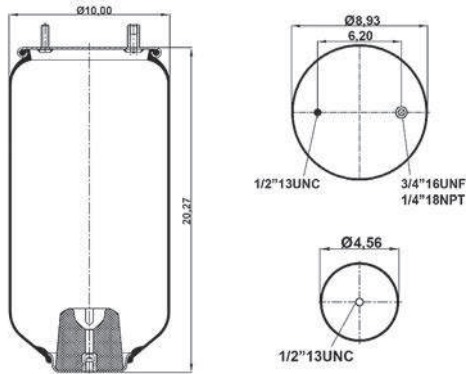
1600-9130 LA

Pallet Size: 115*80*80 Product Weight (Kg): Pallet Quantity: 28

CROSS REFERENCES

FIRESTONE W01-358-9130**SA

OEM REFERENCES



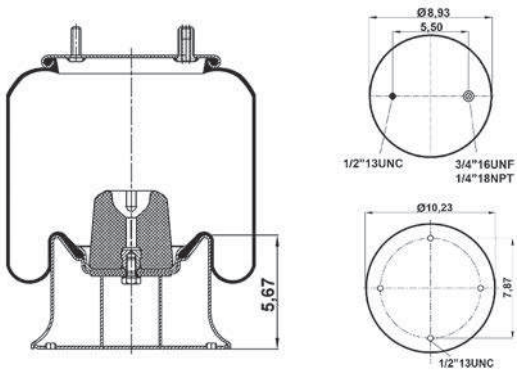
1600-9130 TA8

Pallet Size: 115*80*91 Product Weight (Kg): 10,17 Pallet Quantity: 28

CROSS REFERENCES

CONTITECH 4159 N P08

OEM REFERENCES



1600-9141 TA

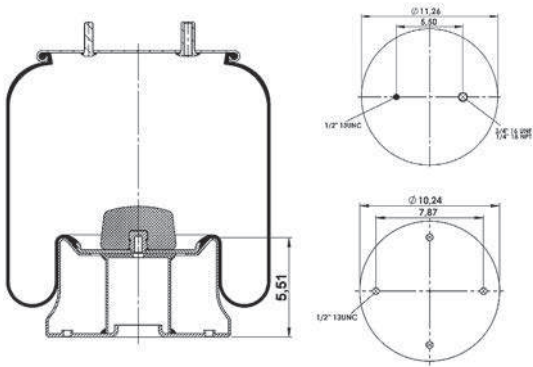
Pallet Size: 115*80*80 Product Weight (Kg): 12,00 Pallet Quantity: 28

CROSS REFERENCES

FIRESTONE W01-358-9141
GOODYEAR 1R14-215

OEM REFERENCES

SAF HOLLAND 90557110



1600-9141 PTA

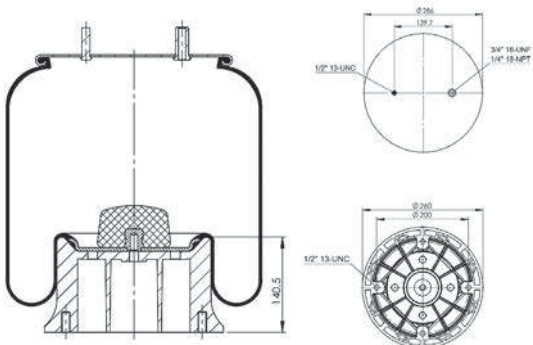
Pallet Size: 115*80*80 Product Weight (Kg): 8,57 Pallet Quantity: 28

CROSS REFERENCES

FIRESTONE W01-358-9141**CPL
GOODYEAR 1R14-215**CPL

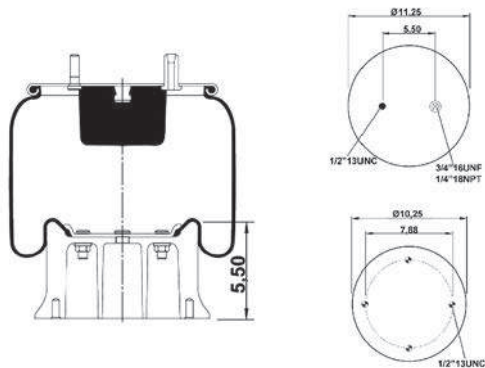
OEM REFERENCES

SAF HOLLAND 90557110



1600-9144 TA

Pallet Size: 115*80*91 Product Weight (Kg): Pallet Quantity: 28


CROSS REFERENCES

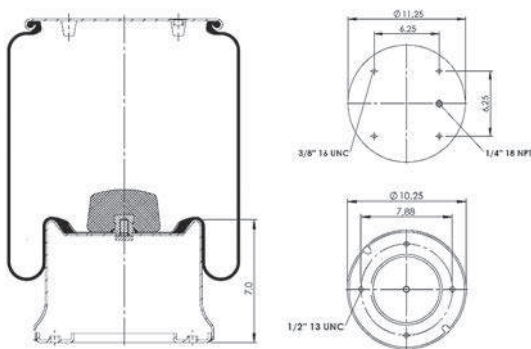
FIRESTONE W01-358-9144

OEM REFERENCES

TRIANGLE	8377
SAF HOLLAND	90557323
NEWAY	90557155
NAVISTAR	1681748C1

1600-9156 TA

Pallet Size: 115*80*91 Product Weight (Kg): 11,87 Pallet Quantity: 24


CROSS REFERENCES

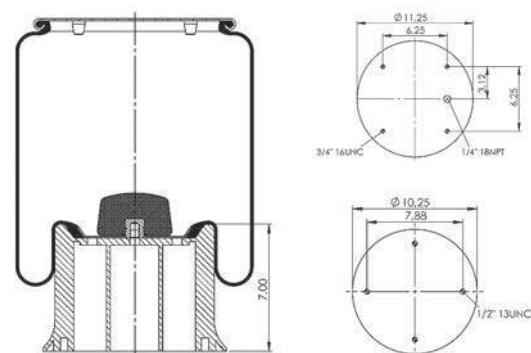
 FIRESTONE W01-358-9156**CA
 GOODYEAR 1R14-019**CA
 CONTITECH 1110.5-21A370**CA

OEM REFERENCES

PEERLESS	0550-00080
HENDRICKSON	S-7128

1600-9156 PTA

Pallet Size: 115*80*91 Product Weight (Kg): 9,38 Pallet Quantity: 28


CROSS REFERENCES

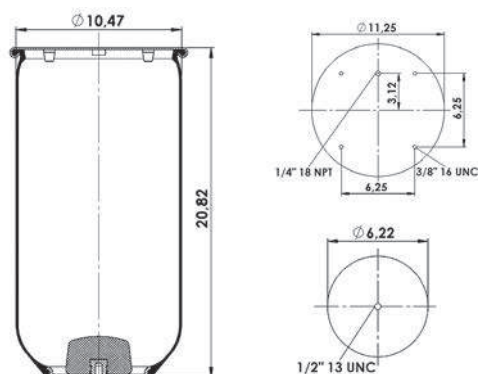
 FIRESTONE W01-358-9156
 GOODYEAR 1R14-019
 CONTITECH 1110.5-21A370

OEM REFERENCES

PEERLESS	0550-00080
HENDRICKSON	S-7128

1600-9156 LA

Pallet Size: 115*80*80 Product Weight (Kg): Pallet Quantity: 28

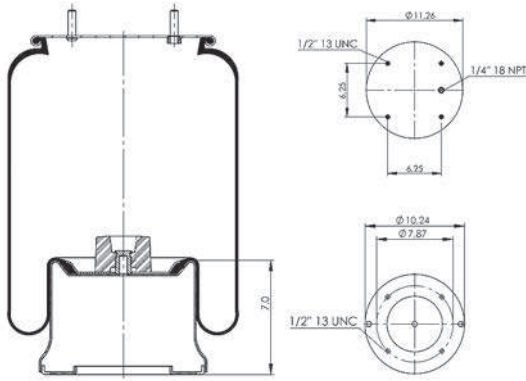

CROSS REFERENCES

FIRESTONE W01-358-9156**SA

OEM REFERENCES

1600-9158 TA

Pallet Size: 115*80*91 Product Weight (Kg): 9,59 Pallet Quantity: 28



CROSS REFERENCES

FIRESTONE
CONTITECH
GOODYEAR

W01-358-9158**CA
4811 N P04**CA
1R14-054**CA
1R14-031**CA
1R14-030**CA

OEM REFERENCES

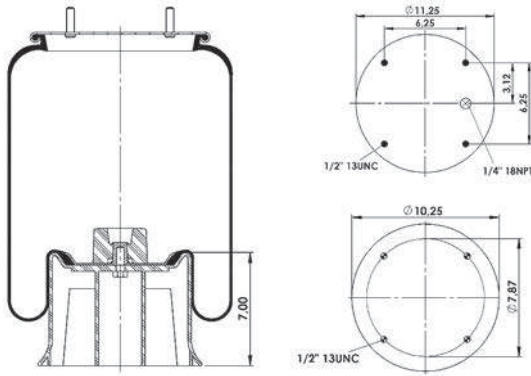
TRIANGLE
RIDEWELL
NEWAY

HENDRICKSON

8318
1003589158C
900-44-197
905-57-005
905-57-069
B-12514-004
B-12514-011
S-2063

1600-9158 PTA

Pallet Size: 115*80*91 Product Weight (Kg): 9,31 Pallet Quantity: 28



CROSS REFERENCES

FIRESTONE
CONTITECH
GOODYEAR

W01-358-9158
4811NP04
1R14-054
1R14-031
1R14-030

OEM REFERENCES

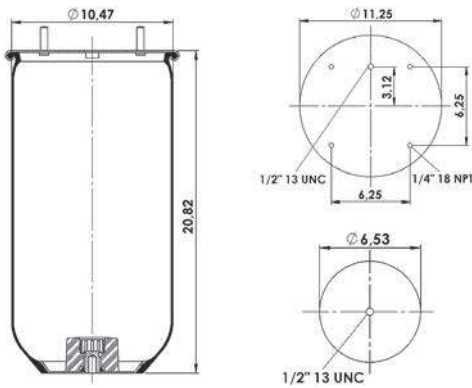
TRIANGLE
RIDEWELL
NEWAY

HENDRICKSON

8318
1003589158C
900-44-197
905-57-005
905-57-069
B-12514-004
B-12514-011
S-2063

1600-9158 LA

Pallet Size: 115*80*80 Product Weight (Kg): Pallet Quantity: 28



CROSS REFERENCES

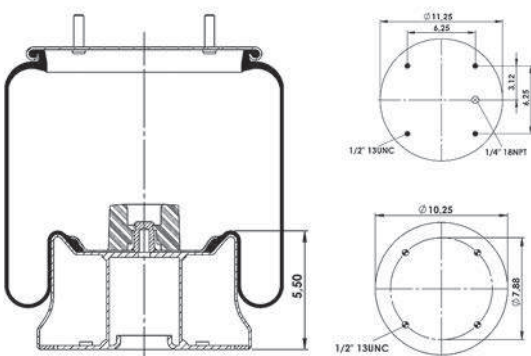
FIRESTONE

W01-358-9158**SA

OEM REFERENCES

1600-9177 TA

Pallet Size: 115*80*80 Product Weight (Kg): 12,05 Pallet Quantity: 24



CROSS REFERENCES

FIRESTONE
CONTITECH
GOODYEAR

W01-358-9177
4810NP04
1R14-029
1R14-028

OEM REFERENCES

TRIANGLE
RIDEWELL
R&S TRUCK&BODY
NEWAY
HENDRICKSON

8316
1003589177C
1090216
905-57-003
S-2065

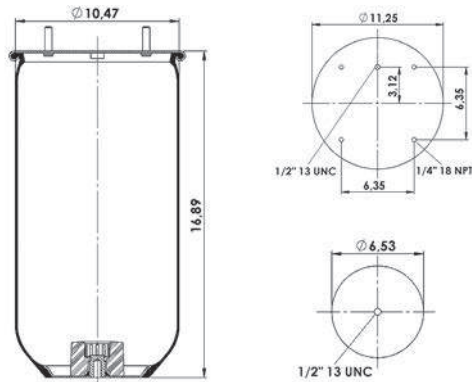
1600-9177 LA

Pallet Size: 115*80*75 Product Weight (Kg): 5,95 Pallet Quantity: 24

CROSS REFERENCES

FIRESTONE W01-358-9177**SA

OEM REFERENCES



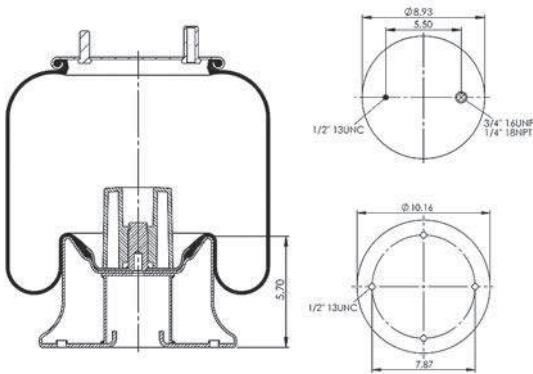
1600-9192 TA

Pallet Size: 115*80*80 Product Weight (Kg): Pallet Quantity: 28

CROSS REFERENCES

FIRESTONE W01-358-9192**CA

OEM REFERENCES



1600-9192 PTA

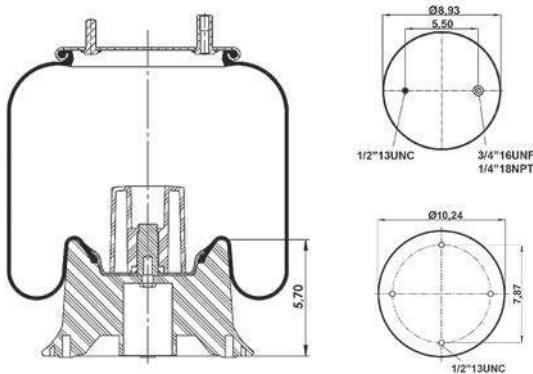
Pallet Size: 115*80*91 Product Weight (Kg): 7,45 Pallet Quantity: 28

CROSS REFERENCES

FIRESTONE W01-358-9192
 CONTITECH 910-19P326
 4159 N P13
 GOODYEAR 1R12-167

OEM REFERENCES

WESTAR PART 87-79192
 WATSON & CHALIN AS-0038
 AS-0046
 TRIANGLE 8326
 NEWAY 905-57-086
 905-57-108
 HENDRICKSON B-6195
 S-6195
 EUCLID PART E-FS9192
 AUTOMANN PART 1DK23L-9192



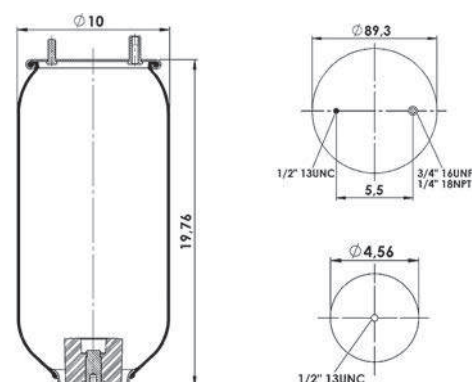
1600-9192 LA

Pallet Size: 115*80*75 Product Weight (Kg): Pallet Quantity: 28

CROSS REFERENCES

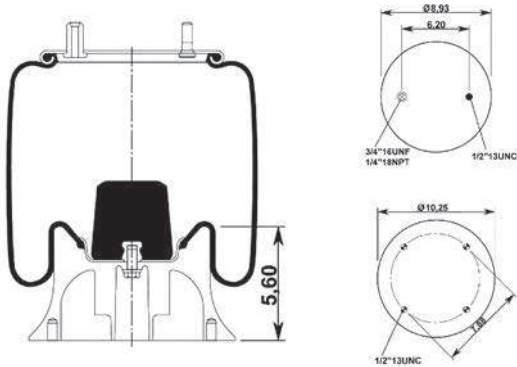
FIRESTONE W01-358-9192**SA

OEM REFERENCES



1600-9203 PTA

Pallet Size: 115*80*80 Product Weight (Kg): Product Weight (Kg): Pallet Quantity: 28



CROSS REFERENCES

FIRESTONE
GOODYEAR

W01-358-9203
1R12-395**CPL

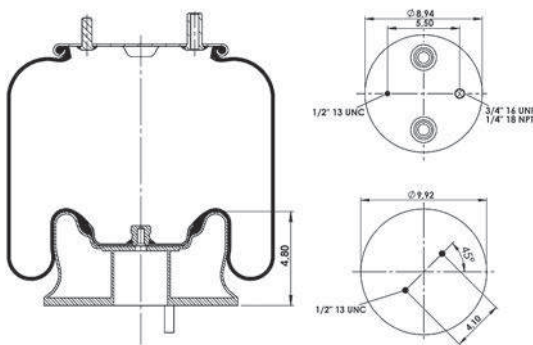
OEM REFERENCES

TRIANGLE
TAURUS
RIDEWELL
MIDLAND/HALDEX
HENDRICKSON TRAILER
DAYTON PARTS

8355
A5509-9203
1003589203C
CS112395
S2694
3529203

1600-9213 TA

Pallet Size: 115*80*91 Product Weight (Kg): 10,69 Pallet Quantity: 28



CROSS REFERENCES

FIRESTONE
GOODYEAR

W01-358-9213**CA
1R12-090**CA

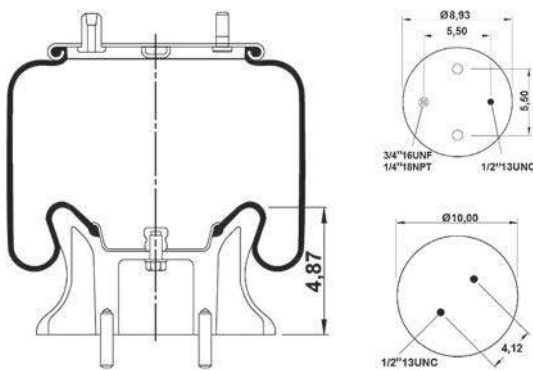
OEM REFERENCES

NAVISTAR

1660581C-1**CA
501559C-1 **CA
501559C-2 **CA

1600-9213 PTA

Pallet Size: 115*80*91 Product Weight (Kg): 6,65 Pallet Quantity: 28



CROSS REFERENCES

FIRESTONE
CONTITECH
GOODYEAR

W01-358-9213
910-16P441
1R12-090

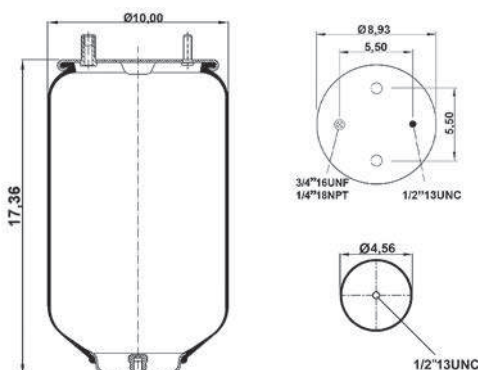
OEM REFERENCES

WESTAR PART
EUCLID PART
AUTOMANN PART

87-79213
E-FS9213
1DK23K-9213

1600-9213 LA

Pallet Size: 115*80*80 Product Weight (Kg): Product Weight (Kg): Pallet Quantity: 28



CROSS REFERENCES

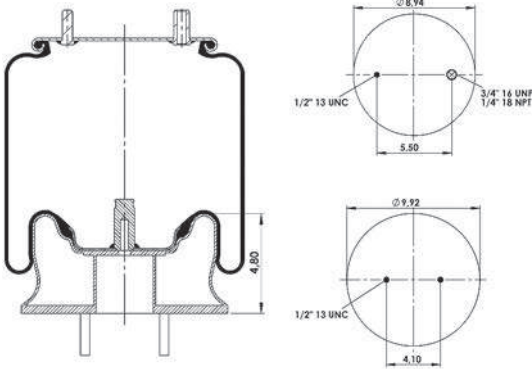
FIRESTONE

W01-358-9213**SA
1T15M-6

OEM REFERENCES

1600-9219 TA

Pallet Size: 115*80*80 Product Weight (Kg): 10,62 Pallet Quantity: 28



CROSS REFERENCES

FIRESTONE
GOODYEAR

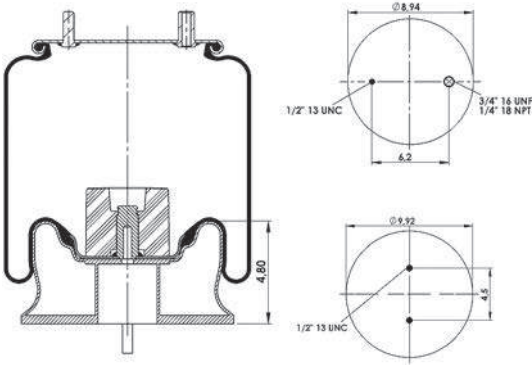
W01-358-9219
1R12-182

OEM REFERENCES

VOLVO/GM
(HEAVY DUTY TRUCK)
350003-3201
350003-3204
350003-3209
352223-3203

1600-9219 TA1

Pallet Size: 115*80*80 Product Weight (Kg): Pallet Quantity: 28



CROSS REFERENCES

FIRESTONE
GOODYEAR

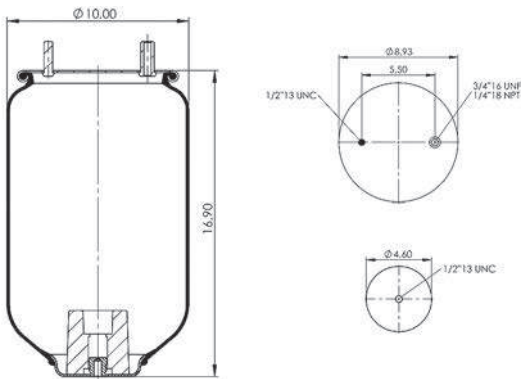
W01-358-9466
1R12-365**CA

OEM REFERENCES

MARMON
MACK
HENDRICKSON
49207
49674-1&2 (57QL411M
49048 (Ford)

1600-9223 LA

Pallet Size: 115*80*91 Product Weight (Kg): Pallet Quantity: 24



CROSS REFERENCES

FIRESTONE
CONTITECH
GOODYEAR

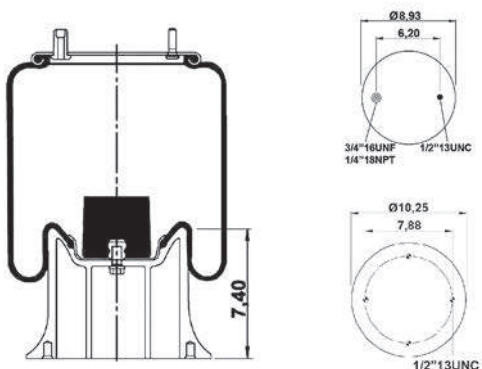
W01-358-9223**SA
9 10-16 P 409**SA
1R12-188**SA

OEM REFERENCES

SAF HOLLAND
REYCO
HENDRICKSON
57009223
12884-01
48195-2

1600-9241 PTA

Pallet Size: 115*80*91 Product Weight (Kg): Pallet Quantity: 24



CROSS REFERENCES

FIRESTONE
GOODYEAR

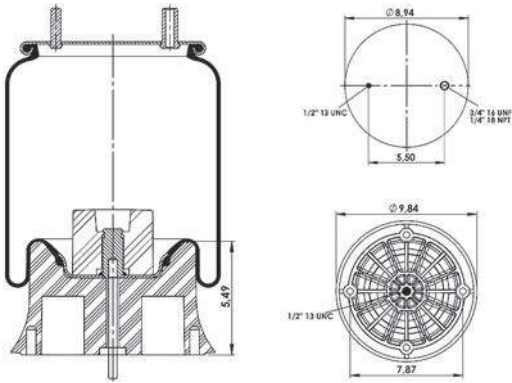
W01-358-9241
1R12-261**CPL

OEM REFERENCES

TRIANGLE
TAURUS
SUSPENSIONS INC
HENDRICKSON
DALLAS SPRING
8358
A5509-9241
200041
S-4375
AS9241

1600-9243 PTA

Pallet Size: 115*80*80 Product Weight (Kg): 6,21 Pallet Quantity: 28



CROSS REFERENCES

FIRESTONE
GOODYEAR

W01-358-9243
1R12-480

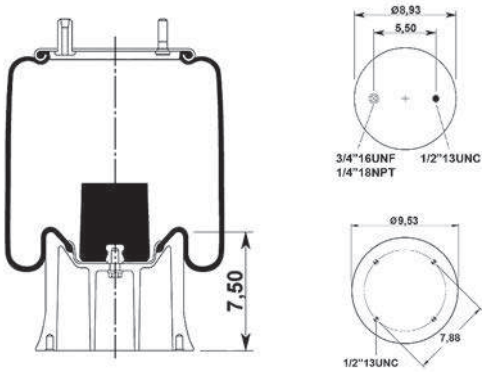
OEM REFERENCES

WATSON & CHALIN
NEWAY

AS-0061
90557112

1600-9250 TA

Pallet Size: 115*80*80 Product Weight (Kg): Pallet Quantity: 24



CROSS REFERENCES

FIRESTONE
GOODYEAR

1T15V-11 W01 358 9250
1R13-115 566-26-3-044

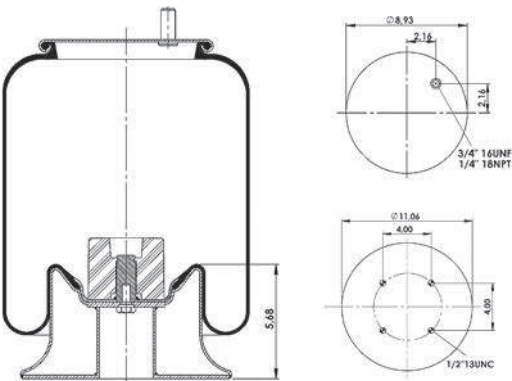
OEM REFERENCES

TRIANGLE
RIDEWELL

8324 6371
1003589250C

1600-9265 TA

Pallet Size: 115*80*91 Product Weight (Kg): 11,00 Pallet Quantity: 28



CROSS REFERENCES

FIRESTONE
CONTITECH
GOODYEAR

W01-358-9265
910-19P435
1R12-375

OEM REFERENCES

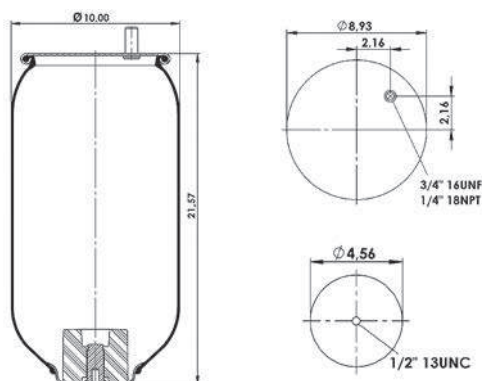
WESTAR PART
TRIANGLE
HENDRICKSON

EUCLID PART
AUTOMANN PART

87-79265
8435
HT-250T
HT-250U
HT-250U-Y
S20124
E-FS9265
1DK23L-9265

1600-9265 LA

Pallet Size: 115*80*80 Product Weight (Kg): 4,44 Pallet Quantity: 28



CROSS REFERENCES

FIRESTONE
GOODYEAR

W01-358-9265**SA
1T15MW-10
1R12-375**SA

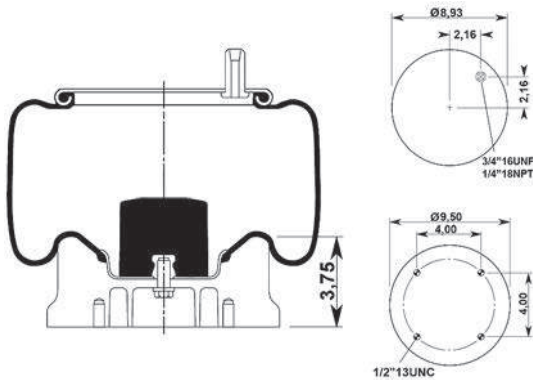
OEM REFERENCES

HENDRICKSON

C20124

1600-9270 TA

Pallet Size: 115*80*75 Product Weight (Kg): 9,38 Pallet Quantity: 28



CROSS REFERENCES

FIRESTONE
CONTITECH

W01-358-9270
910-13.5S433

OEM REFERENCES

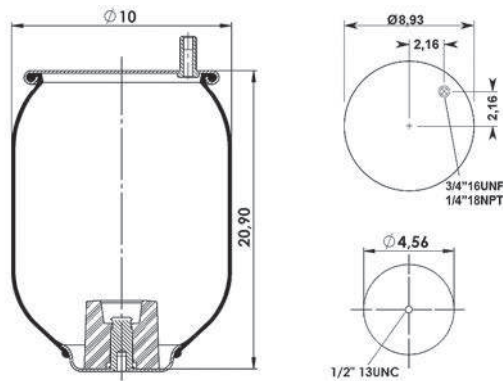
WESTAR PART
TRIANGLE
HENDRICKSON

EUCLID PART
AUTOMANN PART

87-79270
8433
S-20010
S-25559
E-FS9270
1DK231-9270

1600-9270 LA

Pallet Size: 115*80*75 Product Weight (Kg): 4,29 Pallet Quantity: 28



CROSS REFERENCES

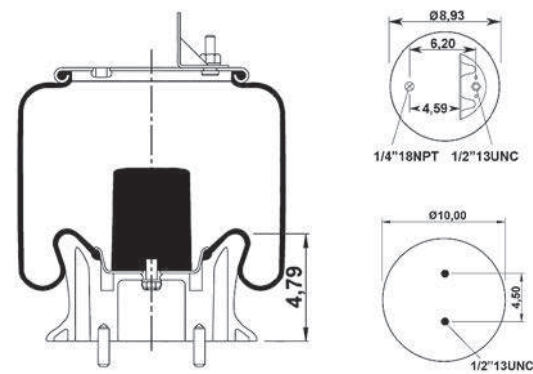
FIRESTONE

W01-358-9270**SA

OEM REFERENCES

1600-9287 TA

Pallet Size: 115*80*91 Product Weight (Kg): Pallet Quantity: 28



CROSS REFERENCES

CONTITECH
FIRESTONE
GOODYEAR

FIRESTONE

9 10-18.5 P 406
1T15MT-8
1S12-027 566-24-1-012
1R12-424 566-24-3-097
W01-358-9287

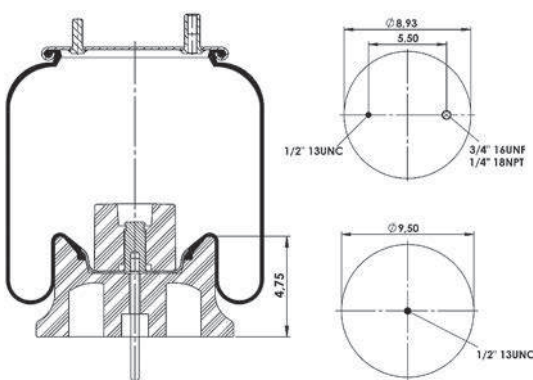
OEM REFERENCES

TRIANGLE
HENDRICKSON

8406 6391
50405
50898-2
50405-1
50405-2
HA-360/400/460

1600-9293 PTA

Pallet Size: 115*80*91 Product Weight (Kg): 6,70 Pallet Quantity: 28



CROSS REFERENCES

FIRESTONE
GOODYEAR

W01-358-9293
1R12-501
1R11-912
1R10-120

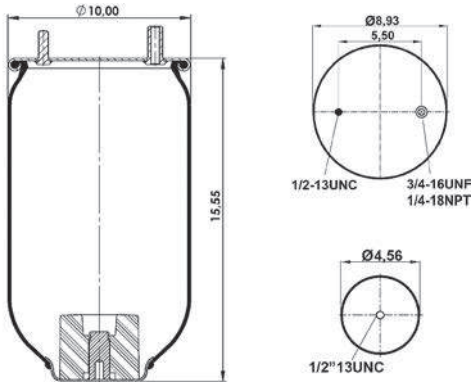
OEM REFERENCES

WESTAR PART
TRIANGLE
NEWAY
EUCLID PART
AUTOMANN PART

87-79293
8424
905-57-120
E-FS9293
1DK20E-9293

1600-9293 LA

Pallet Size: 115*80*80 Product Weight (Kg): Pallet Quantity: 28



CROSS REFERENCES

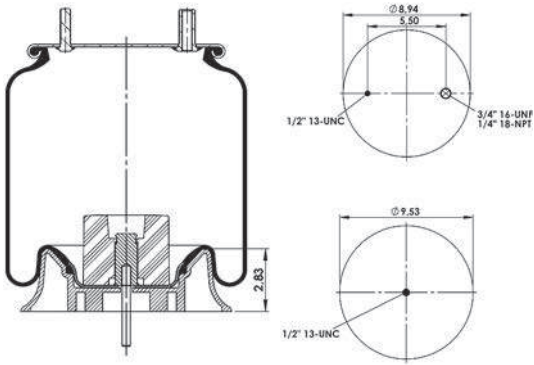
FIRESTONE
CONTITECH
FIRESTONE

W01-358-9293**SA
99K-15P424**SA
1T15LP-5

OEM REFERENCES

1600-9294 PTA

Pallet Size: 115*80*80 Product Weight (Kg): Pallet Quantity: 28



CROSS REFERENCES

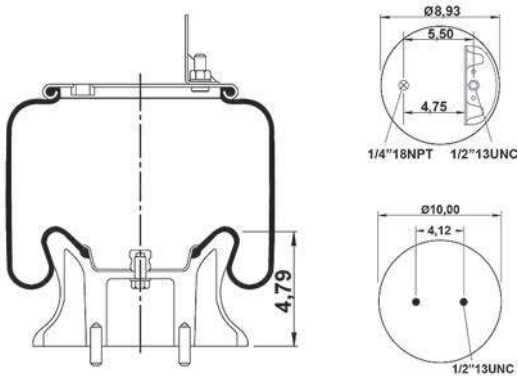
FIRESTONE

W01-358-9294

OEM REFERENCES

1600-9296 TA

Pallet Size: 115*80*80 Product Weight (Kg): Pallet Quantity: 28



CROSS REFERENCES

CONTITECH
FIRESTONE
GOODYEAR
FIRESTONE

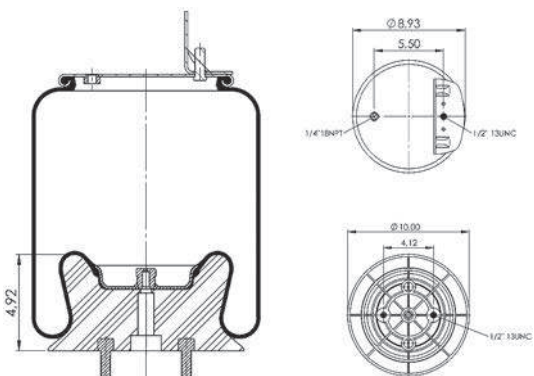
9 10-16 P 416
1T15M-6
1R12-400 566-24-3-038
W01-358-9296

OEM REFERENCES

VOLVO 8061151
8169869
TRIANGLE 8416 6363

1600-9296 PTA

Pallet Size: 115*80*91 Product Weight (Kg): 6,91 Pallet Quantity: 28



CROSS REFERENCES

FIRESTONE

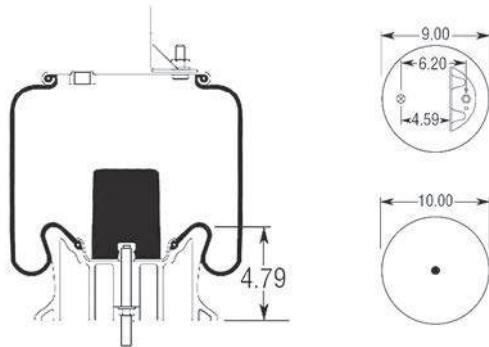
W01-358-9296

OEM REFERENCES

VOLVO 8061151
8169868

1600-9297 TA

Pallet Size: 115*80*91 Product Weight (Kg): Pallet Quantity: 28



CROSS REFERENCES

FIRESTONE
GOODYEAR

W01-358-9297
1R12-402**CA

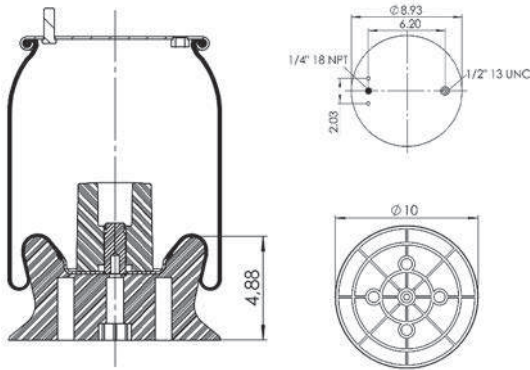
OEM REFERENCES

TRIANGLE
HENDRICKSON

8520
50898-1&2 (GM &Ford)

1600-9297 PTA

Pallet Size: 115*80*91 Product Weight (Kg): Pallet Quantity: 28



CROSS REFERENCES

GOODYEAR

1R12-402**CPL

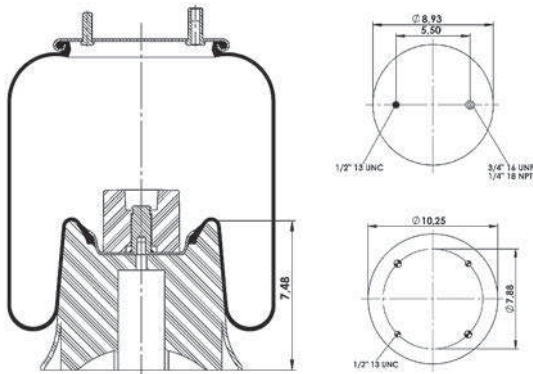
OEM REFERENCES

HENDRICKSON

50898-1
50898-2
64051-2

1600-9320 PTA

Pallet Size: 115*80*91 Product Weight (Kg): 6,96 Pallet Quantity: 28



CROSS REFERENCES

FIRESTONE
CONTITECH
GOODYEAR

W01-358-9320
910-21P360
1R12-363

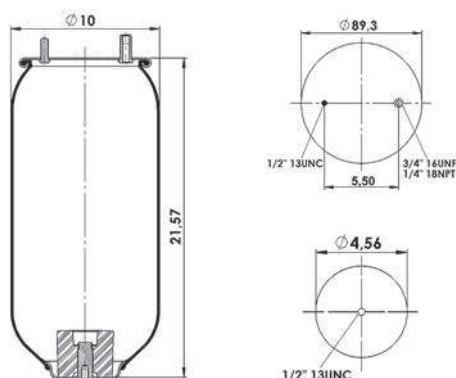
OEM REFERENCES

TRIANGLE
NEWAY

8360
905-57-099

1600-9320 LA

Pallet Size: 115*80*80 Product Weight (Kg): Pallet Quantity: 28



CROSS REFERENCES

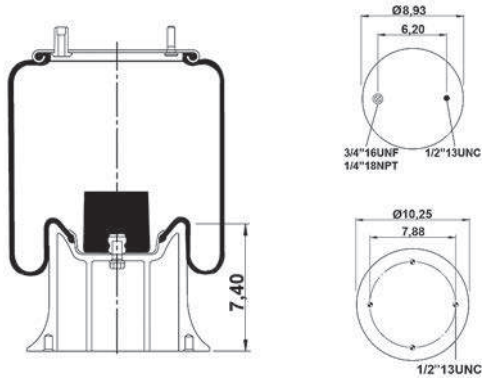
FIRESTONE

W01-358-9320**SA

OEM REFERENCES

1600-9321 TA

Pallet Size: 115*80*91 Product Weight (Kg): 11,02 Pallet Quantity: 28



CROSS REFERENCES

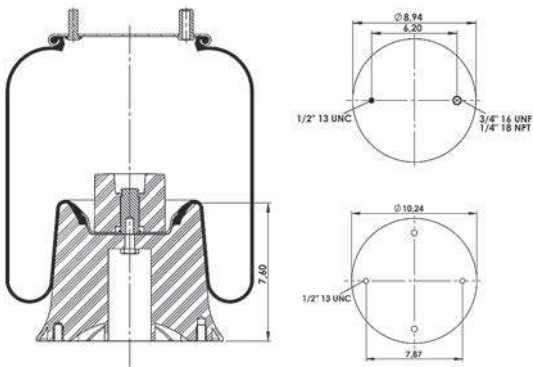
FIRESTONE W01-358-9321
GOODYEAR 1R12-256

OEM REFERENCES

WESTAR PART 87-79321
WATSON & CHALIN AS-0036
TRIANGLE 8361
HENDRICKSON NS501304
EUCLID PART E-FS9321
AUTOMANN PART 1DK23N-9321

1600-9321 PTA

Pallet Size: 115*80*91 Product Weight (Kg): 7,00 Pallet Quantity: 28



CROSS REFERENCES

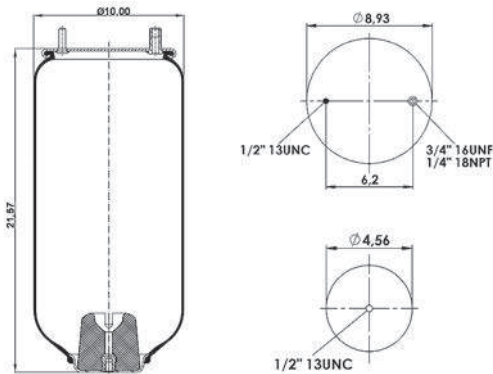
FIRESTONE W01-358-9321**CPL
GOODYEAR 1R12-256**CPL

OEM REFERENCES

WATSON & CHALIN AS-0036

1600-9321 LA

Pallet Size: 115*80*80 Product Weight (Kg): 4,83 Pallet Quantity: 28



CROSS REFERENCES

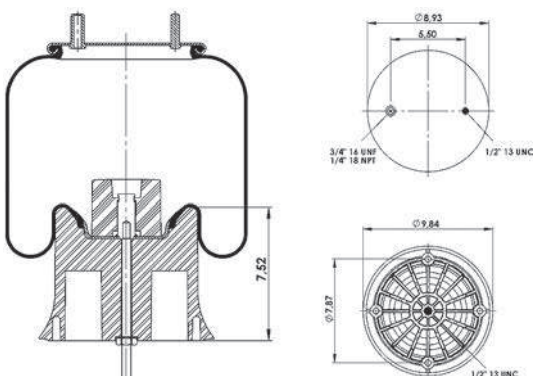
FIRESTONE W01-358-9321**SA
GOODYEAR 1T15M-11
1R12-256**SA

OEM REFERENCES

HENDRICKSON NS501304

1600-9346 PTA

Pallet Size: 115*80*80 Product Weight (Kg): 7,26 Pallet Quantity: 24



CROSS REFERENCES

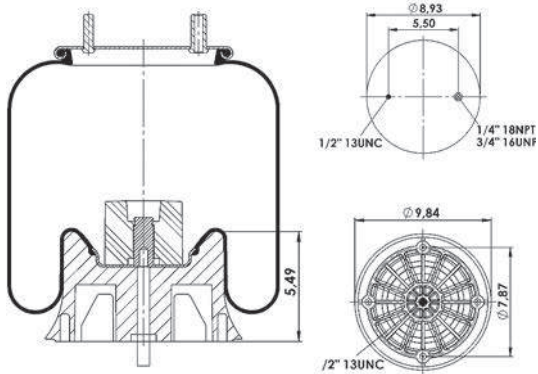
FIRESTONE W01-358-9346
GOODYEAR 1R12-439

OEM REFERENCES

WATSON & CHALIN AS-0056
TRIANGLE 8470
NEWAY 90557126

1600-9362 PTA

Pallet Size: 115*80*80 Product Weight (Kg): 6,28 Pallet Quantity: 28



CROSS REFERENCES

FIRESTONE
GOODYEAR

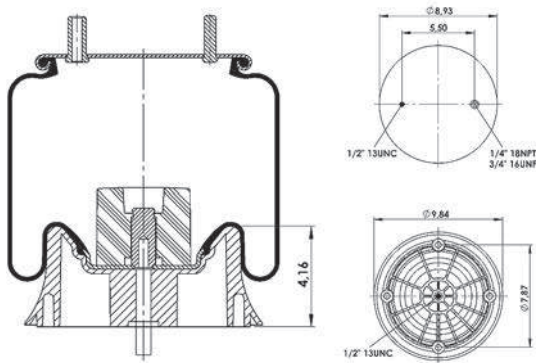
OEM REFERENCES

WATSON & CHALIN
TRIANGLE
NEWAY

AS-0049
8391
90557113

1600-9366 PTA

Pallet Size: 115*80*65 Product Weight (Kg): 5,34 Pallet Quantity: 28



CROSS REFERENCES

FIRESTONE
GOODYEAR

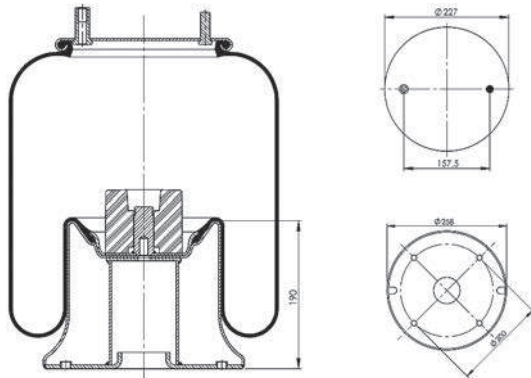
OEM REFERENCES

WATSON & CHALIN
TRIANGLE
NEWAY

AS-0054
8488
90557160
90557210
90557225

1600-9367 TA

Pallet Size: 115*80*91 Product Weight (Kg): 11,00 Pallet Quantity: 28



CROSS REFERENCES

FIRESTONE

W01-358-9367**CA

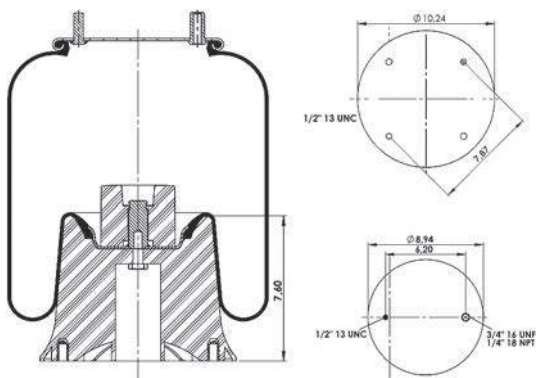
OEM REFERENCES

WATSON & CHALIN
HENDRICKSON AUXILARY

AS0104
AS0137
3319
S14249

1600-9367 PTA

Pallet Size: 115*80*91 Product Weight (Kg): 7,08 Pallet Quantity: 28



CROSS REFERENCES

FIRESTONE

W01-358-9367

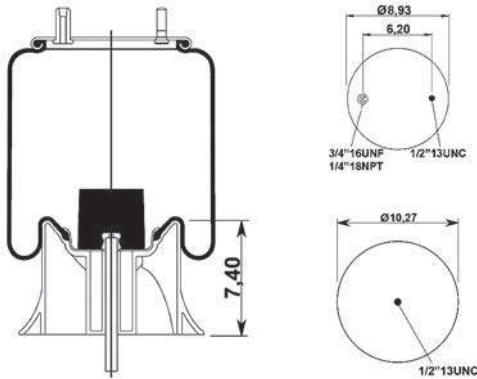
OEM REFERENCES

WATSON & CHALIN
HENDRICKSON AUXILARY

AS0104
AS0137
3319
S14249

1600-9370 PTA

Pallet Size: 115*80*91 Product Weight (Kg): 7,50 Pallet Quantity: 28



CROSS REFERENCES

FIRESTONE
GOODYEAR

W01-358-9370
1R12-503
1R12-440

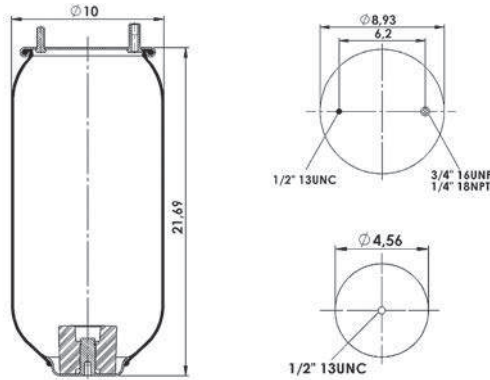
OEM REFERENCES

WATSON & CHALIN
TRIANGLE

AS-0057
8448

1600-9370 LA

Pallet Size: 115*80*80 Product Weight (Kg): Pallet Quantity: 28



CROSS REFERENCES

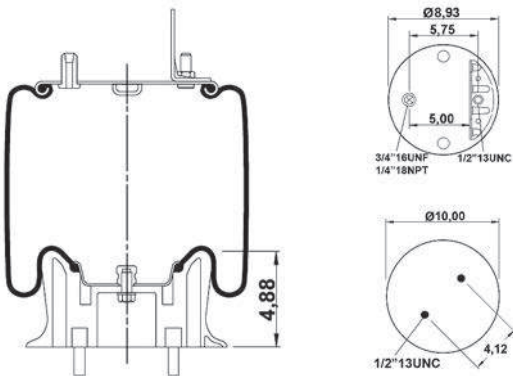
FIRESTONE

W01-358-9370**SA

OEM REFERENCES

1600-9371 PTA

Pallet Size: 115*80*91 Product Weight (Kg): 7,05 Pallet Quantity: 28



CROSS REFERENCES

FIRESTONE
CONTITECH
GOODYEAR

W01-358-9371
910-18.5P521
1R12-401

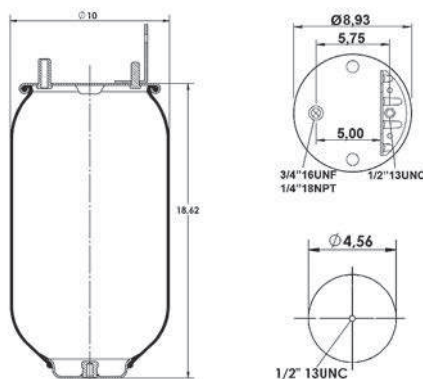
OEM REFERENCES

NAVISTAR

1670073C-1
1686386C-1
2027911C-1

1600-9371 LA

Pallet Size: 115*80*80 Product Weight (Kg): 4,52 Pallet Quantity: 28



CROSS REFERENCES

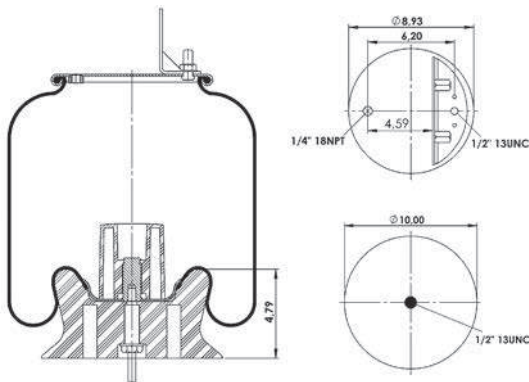
FIRESTONE

W01-358-9371**SA

OEM REFERENCES

1600-9373 PTA

Pallet Size: 115*80*91 Product Weight (Kg): 7,39 Pallet Quantity: 28



CROSS REFERENCES

FIRESTONE
CONTITECH
GOODYEAR

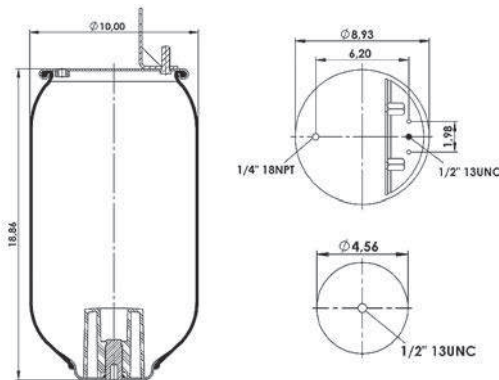
OEM REFERENCES

WESTAR PART
TRIANGLE
HENDRICKSON
EUCLID PART

87-79373
8451
57122-001
57122-2
E-FS9373

1600-9373 LA

Pallet Size: 115*80*80 Product Weight (Kg): Pallet Quantity: 28



CROSS REFERENCES

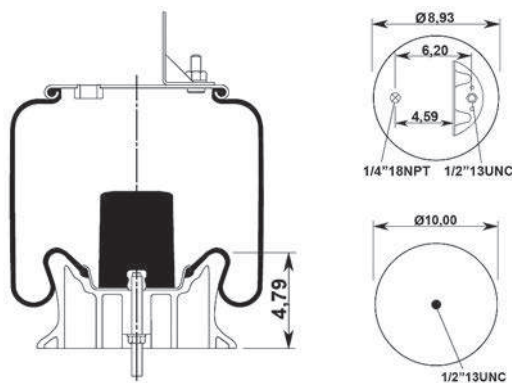
FIRESTONE
W01-358-9373**SA
1T15MT-8

OEM REFERENCES

HENDRICKSON
57122-2

1600-9375 PTA

Pallet Size: 115*80*91 Product Weight (Kg): 6,70 Pallet Quantity: 28



CROSS REFERENCES

FIRESTONE
CONTITECH
GOODYEAR

W01-358-9375
910-18.5P451
1S12-031
1R12-404

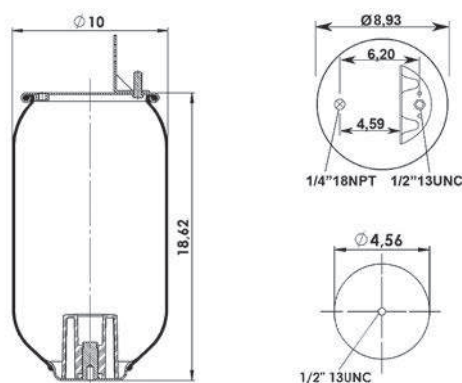
OEM REFERENCES

TRIANGLE
MACK
HENDRICKSON

8451
57QL414M
50899-1
50899-2

1600-9375 LA

Pallet Size: 115*80*80 Product Weight (Kg): Pallet Quantity: 28



CROSS REFERENCES

FIRESTONE
W01-358-9375**SA

OEM REFERENCES

1600-9391 TA

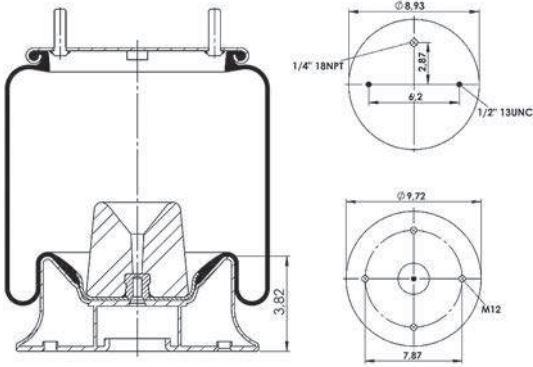
Pallet Size: 115*80*80 Product Weight (Kg): Pallet Quantity: 28

CROSS REFERENCES

FIRESTONE W01-358-9391 1T15L-4

OEM REFERENCES

R.O.R/MERITOR 21223269



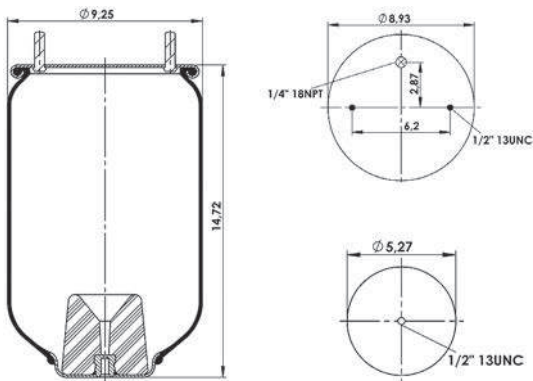
1600-9391 LA

Pallet Size: 115*80*75 Product Weight (Kg): Pallet Quantity: 28

CROSS REFERENCES

OEM REFERENCES

R.O.R/MERITOR 21223269



1600-9394 PTA

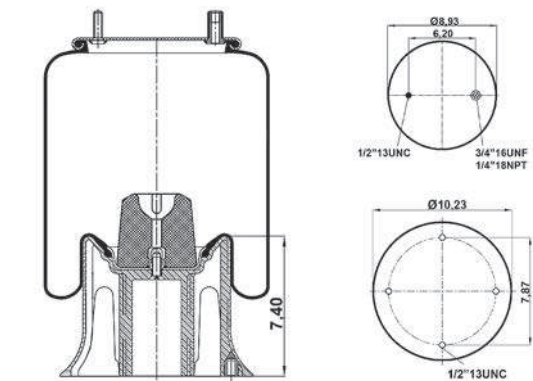
Pallet Size: 115*80*91 Product Weight (Kg): 7,19 Pallet Quantity: 28

CROSS REFERENCES

FIRESTONE W01-358-9394
CONTITECH 910-19A358
GOODYEAR 1R12-281
1R12-279

OEM REFERENCES

TRIANGLE 8383
HENDRICKSON B13161
FRUEHAUF UCE-9393-2
UCE-9393-3
UCE-9393-4



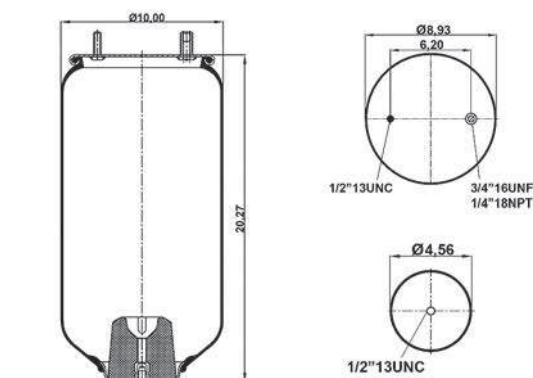
1600-9394 LA

Pallet Size: 115*80*80 Product Weight (Kg): Pallet Quantity: 28

CROSS REFERENCES

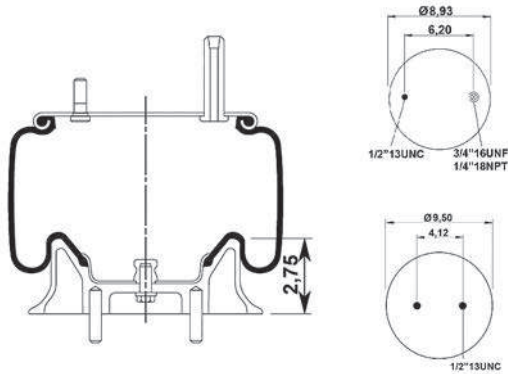
OEM REFERENCES

FIRESTONE W01-358-9394**SA



1600-9422 PTA

Pallet Size: 115*80*80 Product Weight (Kg): 5,11 Pallet Quantity: 28



CROSS REFERENCES

FIRESTONE
CONTITECH
GOODYEAR

OEM REFERENCES

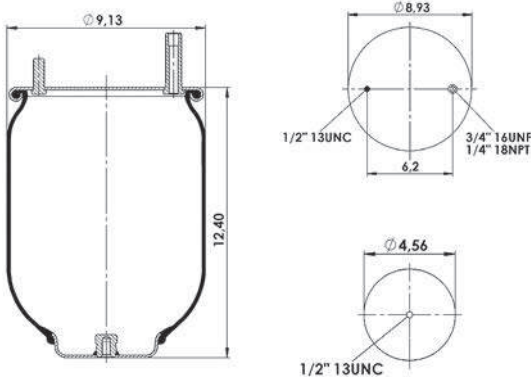
WESTAR PART
KENWORTH

GOODYEAR
EUCLID PART
AUTOMANN PART

87-79422
K303-14
K303-15
K303-6
8314
E-F59422
1DK20D-9422

1600-9422 LA

Pallet Size: 115*80*80 Product Weight (Kg): 4,20 Pallet Quantity: 28



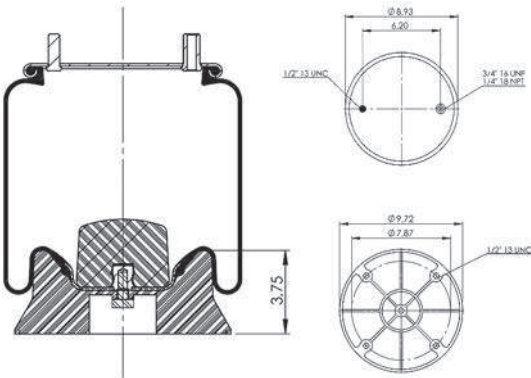
CROSS REFERENCES

FIRESTONE W01-358-9422**SA

OEM REFERENCES

1600-9439 PTA

Pallet Size: 115*80*91 Product Weight (Kg): Pallet Quantity: 28



CROSS REFERENCES

FIRESTONE
GOODYEAR

W01-358-9439**CPL
1R11-121

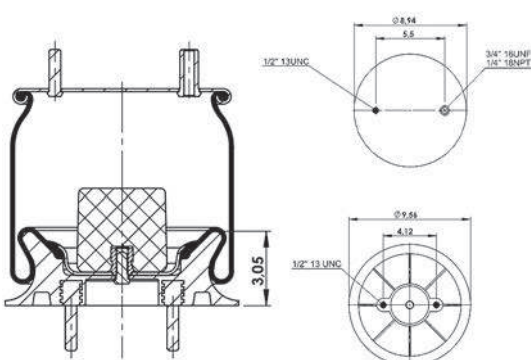
OEM REFERENCES

NOVABUS
MAHOWK
FLEXIBLE

N16374
53-14006-002
6-336-200

1600-9448 PTA

Pallet Size: 115*80*65 Product Weight (Kg): Pallet Quantity: 28



CROSS REFERENCES

FIRESTONE
GOODYEAR

W01-358-9448
1R11-150

OEM REFERENCES

RIDEWELL
ELDORADO BUS

1003589448C
7090

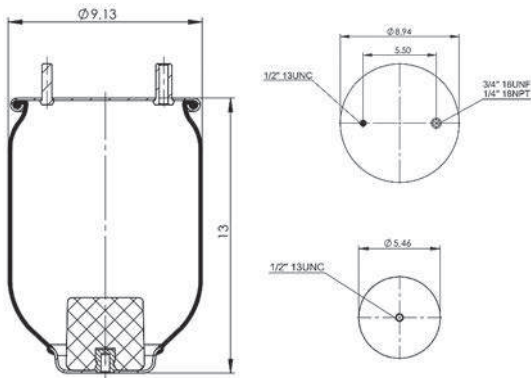
1600-9448 LA

Pallet Size: 115*80*65 Product Weight (Kg): Pallet Quantity: 28

CROSS REFERENCES

FIRESTONE W01-358-9448**SA

OEM REFERENCES



1600-9459 PTA

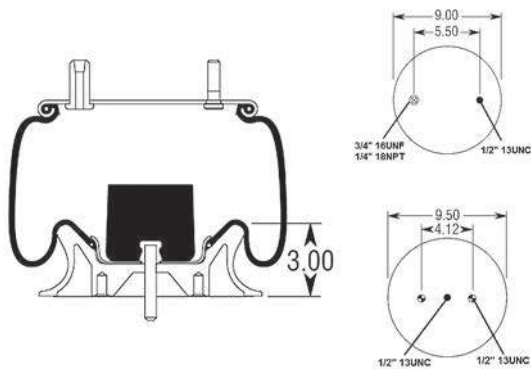
Pallet Size: 115*80*65 Product Weight (Kg): Pallet Quantity: 28

CROSS REFERENCES

FIRESTONE W01-358-9459
1T15L-2
GOODYEAR 1R11-152

OEM REFERENCES

TRIANGLE 6368
RIDEWELL 1003589459C
MERITOR 22581451
CHANCE BUS 23891728



1600-9470 PTA

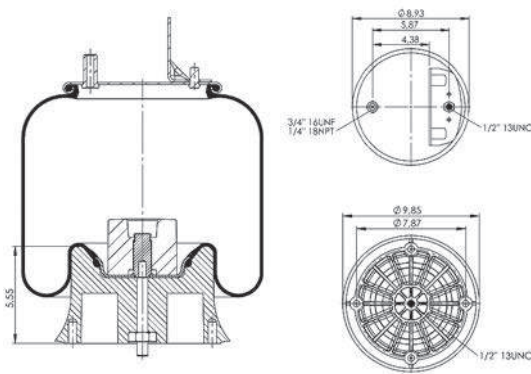
Pallet Size: 115*80*80 Product Weight (Kg): Pallet Quantity: 24

CROSS REFERENCES

FIRESTONE W01-358-9470
CONTITECH 9 10-17.5 P 501

OEM REFERENCES

SAF HOLLAND 90557145
90557211



1600-9471 PTA

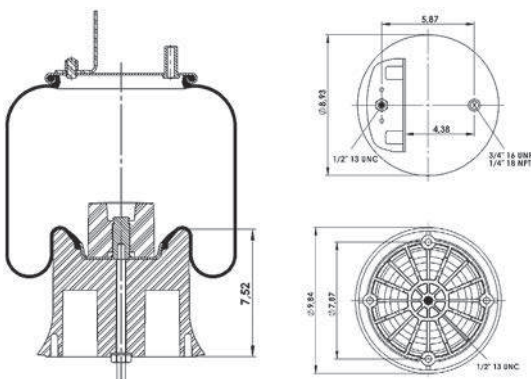
Pallet Size: 115*80*80 Product Weight (Kg): 7,78 Pallet Quantity: 24

CROSS REFERENCES

FIRESTONE W01 358 9471
GOODYEAR 1R12-504

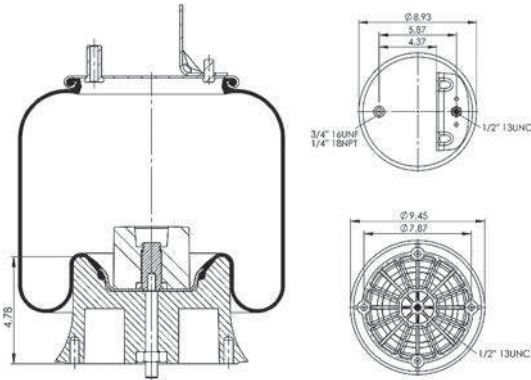
OEM REFERENCES

NEWAY 90557146



1600-9472 PTA

Pallet Size: 115*80*80 Product Weight (Kg): 6,80 Pallet Quantity: 24



CROSS REFERENCES

FIRESTONE
CONTITECH
GOODYEAR

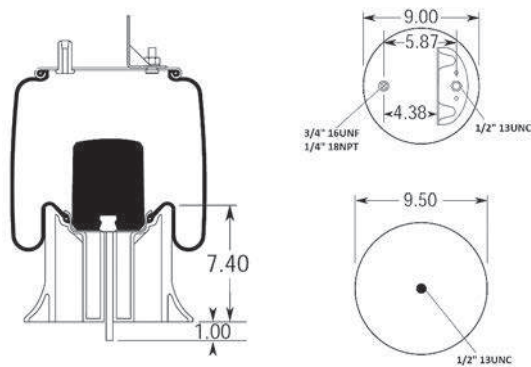
W01-358-9472
9 10-17.5 P 573
1R12-553

OEM REFERENCES

NEWAY
90557147
90557178
90557181
90557213

1600-9473 PTA

Pallet Size: 115*80*80 Product Weight (Kg): Pallet Quantity: 28



CROSS REFERENCES

FIRESTONE
GOODYEAR

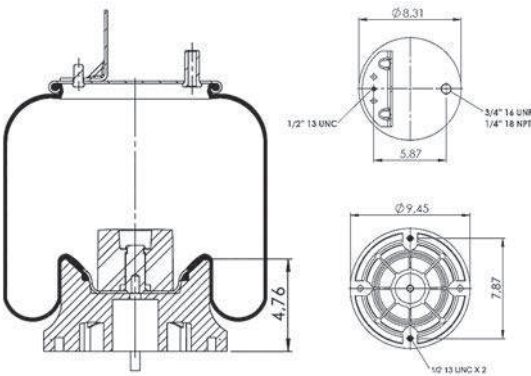
W01-358-9473
1R12-586

OEM REFERENCES

NEWAY
90557152
90557179
90557215 (152)

1600-9491 PTA

Pallet Size: 115*80*80 Product Weight (Kg): Pallet Quantity: 24



CROSS REFERENCES

FIRESTONE
CONTITECH

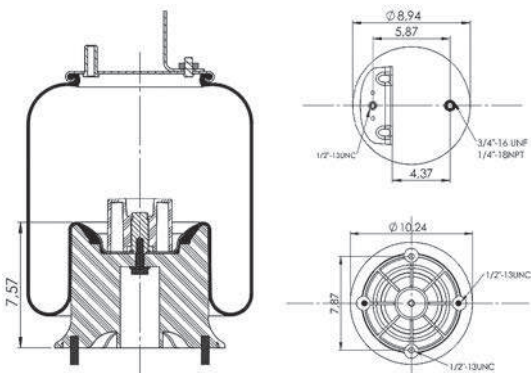
W01-358-9491
9 10B-17.5 P 554 (BK)

OEM REFERENCES

SAF HOLLAND
NEWAY
90557206
90557206

1600-9501 PTA

Pallet Size: 115*80*80 Product Weight (Kg): 7,60 Pallet Quantity: 24



CROSS REFERENCES

FIRESTONE

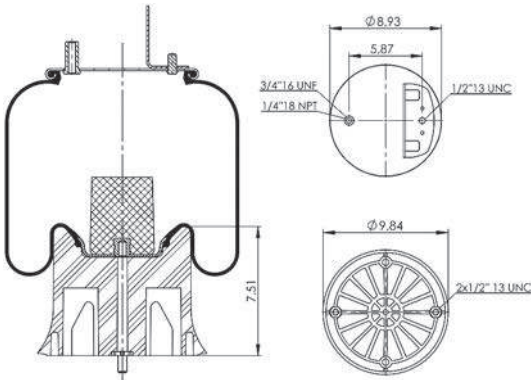
W01-358-9501

OEM REFERENCES

NEWAY
90557214

1600-9504 PTA

Pallet Size: 115*80*91 Product Weight (Kg): Pallet Quantity: 28



CROSS REFERENCES

FIRESTONE
GOODYEAR

W01-358-9504
1R12-486

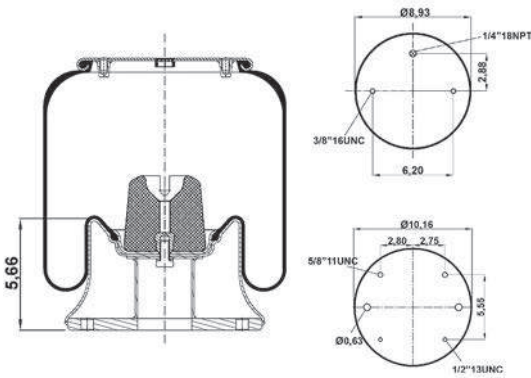
OEM REFERENCES

SAF HOLLAND

90557216

1600-9508 TA

Pallet Size: 115*80*75 Product Weight (Kg): 10,38 Pallet Quantity: 28



CROSS REFERENCES

FIRESTONE

W01-358-9508

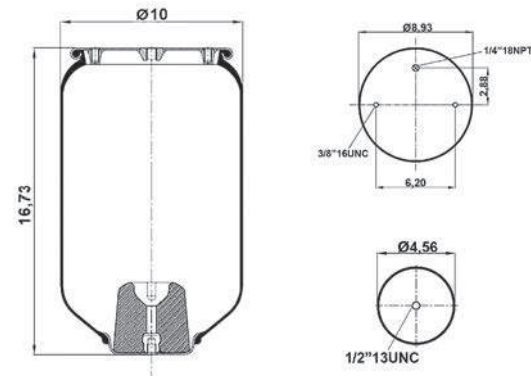
OEM REFERENCES

FRUEHAUF

UJA0930
UJB1304-1

1600-9508 LA

Pallet Size: 115*80*75 Product Weight (Kg): Pallet Quantity: 28



CROSS REFERENCES

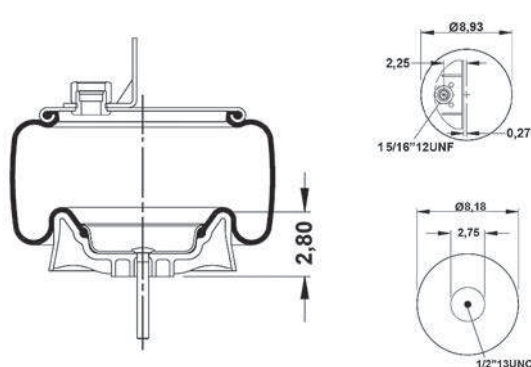
FIRESTONE

W01-358-9508**SA

OEM REFERENCES

1600-9541 PTA

Pallet Size: 115*80*91 Product Weight (Kg): 5,40 Pallet Quantity: 28



CROSS REFERENCES

FIRESTONE
CONTITECH
GOODYEAR

W01-358-9541
99-10P861
1R11-268

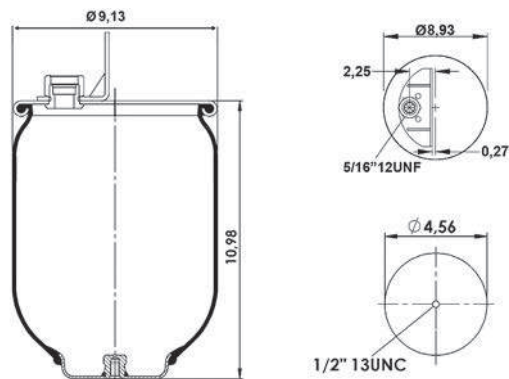
OEM REFERENCES

KENWORTH

C81-1005

1600-9541 LA

Pallet Size: 115*80*80 Product Weight (Kg): 4,12 Pallet Quantity: 28



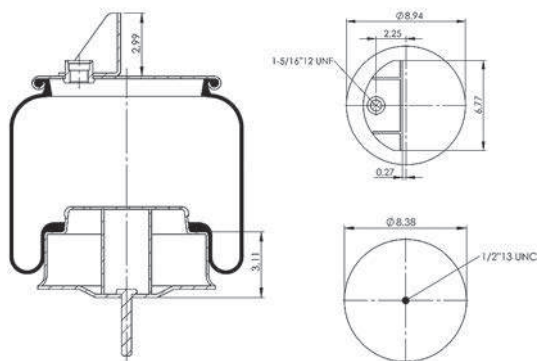
CROSS REFERENCES

FIRESTONE W01-358-9541**SA

OEM REFERENCES

1600-9547 TA

Pallet Size: 115*80*75 Product Weight (Kg): 6,35 Pallet Quantity: 28



CROSS REFERENCES

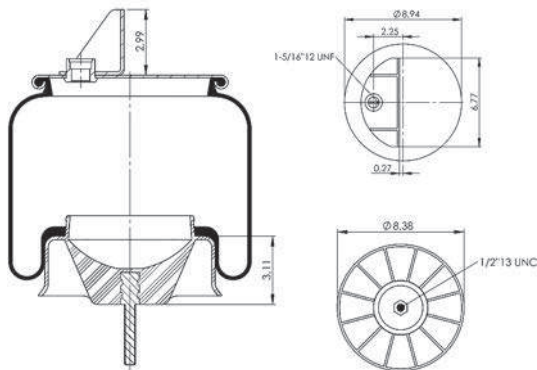
FIRESTONE W01-358-9547**CA
CONTITECH 99-9 P 859**CA

OEM REFERENCES

KENWORTH C81 -1004

1600-9547 PTA

Pallet Size: 115*80*75 Product Weight (Kg): 4,73 Pallet Quantity: 28



CROSS REFERENCES

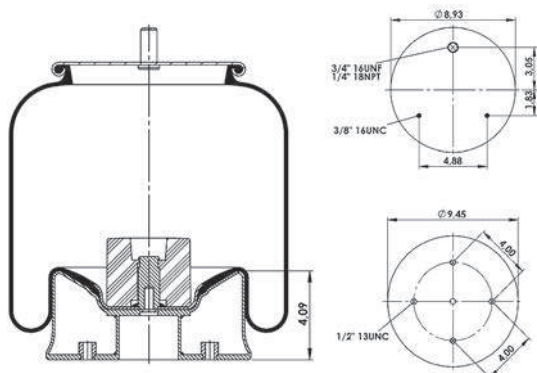
FIRESTONE W01-358-9547
CONTITECH 99-9 P 859

OEM REFERENCES

KENWORTH C81 -1004

1600-9579 TA

Pallet Size: 115*80*75 Product Weight (Kg): 9,24 Pallet Quantity: 28



CROSS REFERENCES

FIRESTONE W01-358-9579

OEM REFERENCES

HENDRICKSON TRAILER S21208

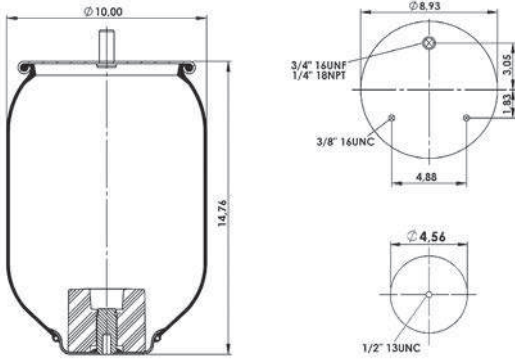
1600-9579 LA

Pallet Size: 115*80*75 Product Weight (Kg): Pallet Quantity: 28

CROSS REFERENCES

FIRESTONE W01-358-9579**SA

OEM REFERENCES



1600-9580 TA

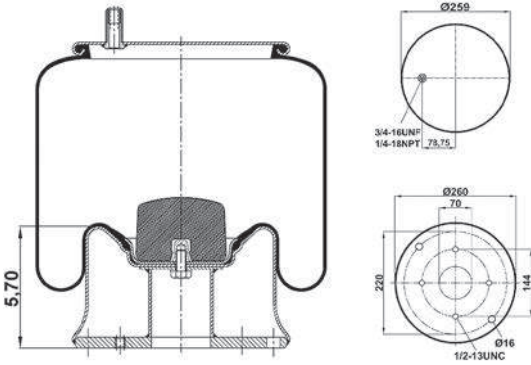
Pallet Size: 115*80*91 Product Weight (Kg): 13,90 Pallet Quantity: 24

CROSS REFERENCES

FIRESTONE W01-358-9580
 GOODYEAR 1R13-144
 1R13-118
 CONTITECH 1010-21P434

OEM REFERENCES

WESTAR PART 87-79580
 TRIANGLE 8434
 HENDRICKSON C20127
 EUCLID PART E-FS9580/9262
 E.R.F. 139855-0



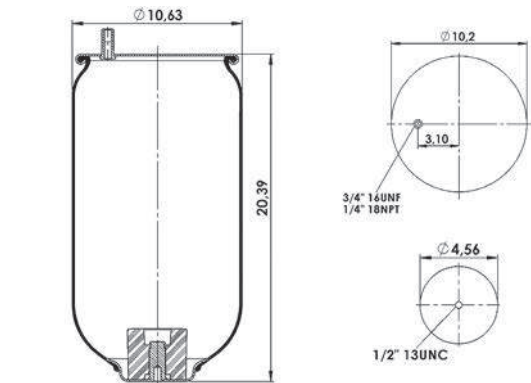
1600-9580 LA

Pallet Size: 115*80*80 Product Weight (Kg): 5,13 Pallet Quantity: 28

CROSS REFERENCES

FIRESTONE W01-358-9580**SA

OEM REFERENCES



1600-9616 PTA

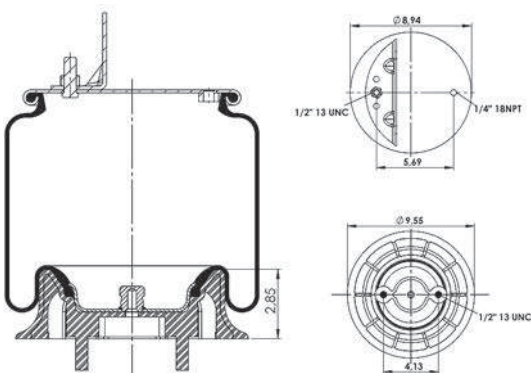
Pallet Size: 115*80*80 Product Weight (Kg): Pallet Quantity: 28

CROSS REFERENCES

FIRESTONE W01-358-9616

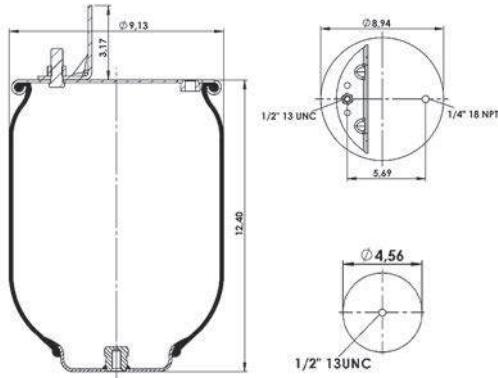
OEM REFERENCES

NEWAY 90557250



1600-9616 LA

Pallet Size: 115*80*80 Product Weight (Kg): Pallet Quantity: 28

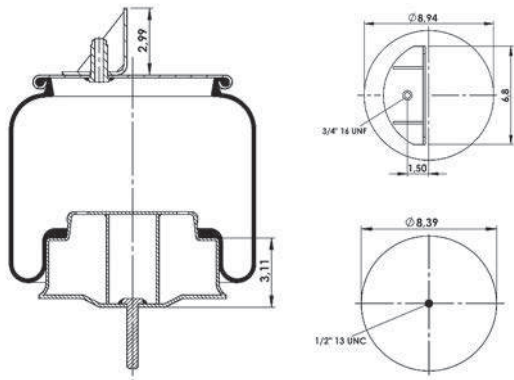


CROSS REFERENCES

OEM REFERENCES

1600-9617 TA

Pallet Size: 115*80*75 Product Weight (Kg): 7,00 Pallet Quantity: 28



CROSS REFERENCES

OEM REFERENCES

FIRESTONE
GOODYEAR

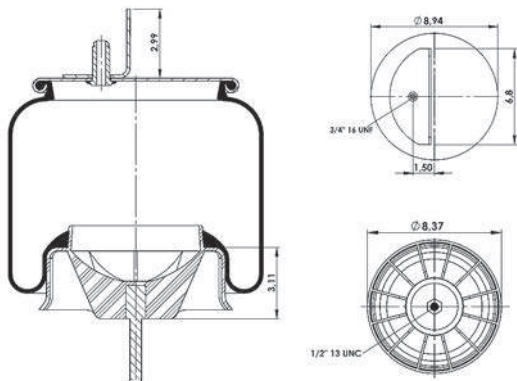
W01-358-9617 **CA
1R11-219

TRIANGLE
KENWORTH

8514
K-303-18

1600-9617 PTA

Pallet Size: 115*80*75 Product Weight (Kg): 4,70 Pallet Quantity: 28



CROSS REFERENCES

OEM REFERENCES

FIRESTONE
CONTITECH
GOODYEAR

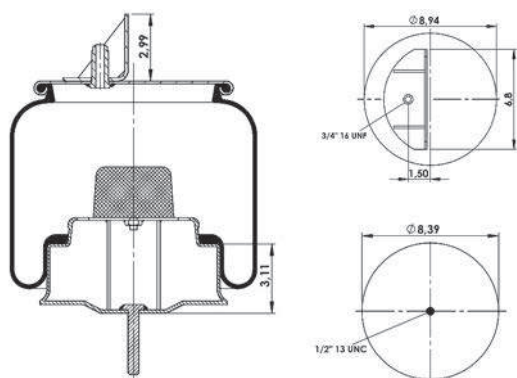
W01-358-9617
99-9 P 860
1R11-219

TRIANGLE
KENWORTH

8514
K-303-18

1600-9618 TA

Pallet Size: 115*80*75 Product Weight (Kg): 7,20 Pallet Quantity: 28



CROSS REFERENCES

OEM REFERENCES

FIRESTONE
GOODYEAR

W01-358-9618
1R11-220

TRIANGLE
KENWORTH

8538
K-303-19

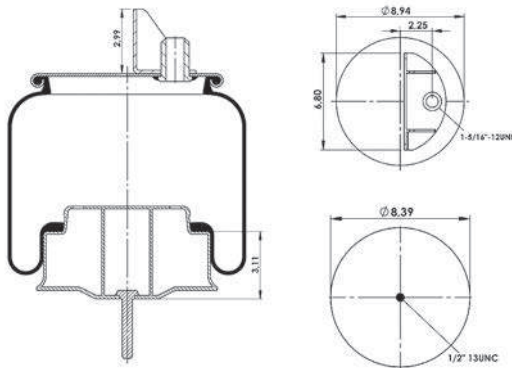
1600-9622 TA

Pallet Size: 115*80*75 Product Weight (Kg): 6,35 Pallet Quantity: 28

CROSS REFERENCES

GOODYEAR 1R11-221

OEM REFERENCES



1600-9622 PTA

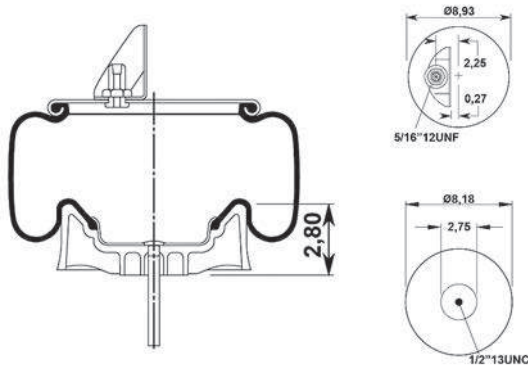
Pallet Size: 115*80*75 Product Weight (Kg): 4,77 Pallet Quantity: 28

CROSS REFERENCES

FIRESTONE W01-358-9622
GOODYEAR 1R11-221

OEM REFERENCES

KASSBOHRER K-303-22



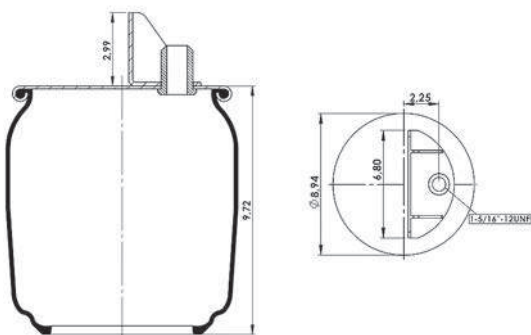
1600-9622 LA

Pallet Size: 115*80*75 Product Weight (Kg): Pallet Quantity: 28

CROSS REFERENCES

GOODYEAR 1R11-221**SA

OEM REFERENCES



1600-9625 PTA

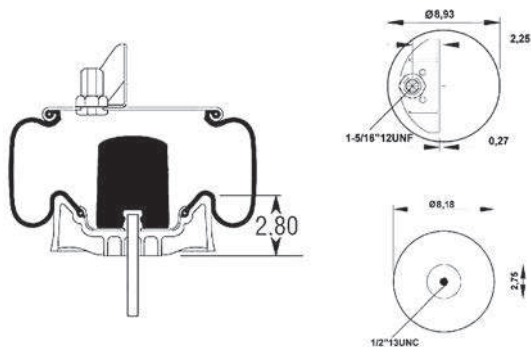
Pallet Size: 115*80*91 Product Weight (Kg): Pallet Quantity: 28

CROSS REFERENCES

FIRESTONE W01-358-9625
GOODYEAR 1T15LA-0 1R11-222

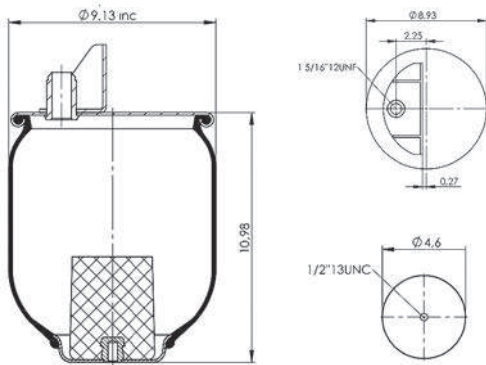
OEM REFERENCES

TRIANGLE 8538
KENWORTH K-303-23 K-303-25



1600-9625 LA

Pallet Size: 115*80*80 Product Weight (Kg): Pallet Quantity: 28



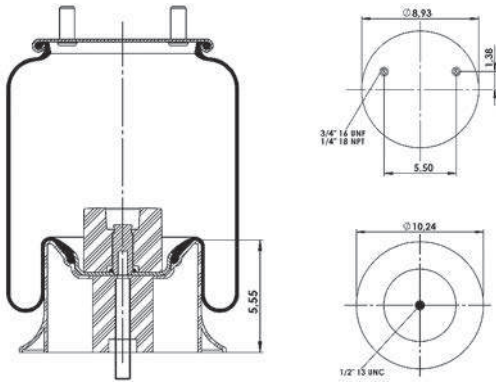
CROSS REFERENCES

FIRESTONE W01-358-9625**SA

OEM REFERENCES

1600-9626 PTA

Pallet Size: 115*80*80 Product Weight (Kg): 5,85 Pallet Quantity: 28



CROSS REFERENCES

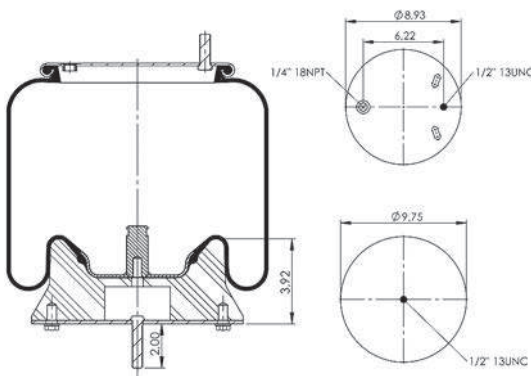
FIRESTONE W01-358-9626

OEM REFERENCES

HENDRICKSON TRAILER AA230L S23720

1600-9634 PTA

Pallet Size: 115*80*91 Product Weight (Kg): 9,83 Pallet Quantity: 28



CROSS REFERENCES

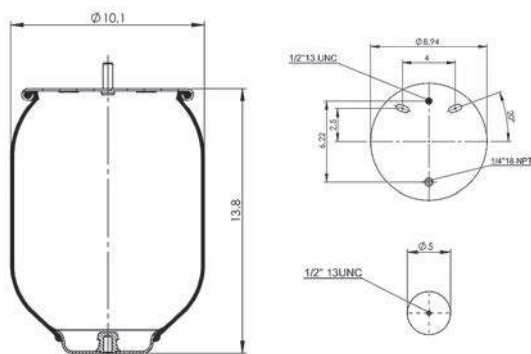
FIRESTONE W01-358-9634
CONTITECH 9 10-14 P 575

OEM REFERENCES

FREIGHTLINER 16-14263-000
16-14263-001
16-15443-000

1600-9634 LA

Pallet Size: 115*80*80 Product Weight (Kg): Pallet Quantity: 28



CROSS REFERENCES

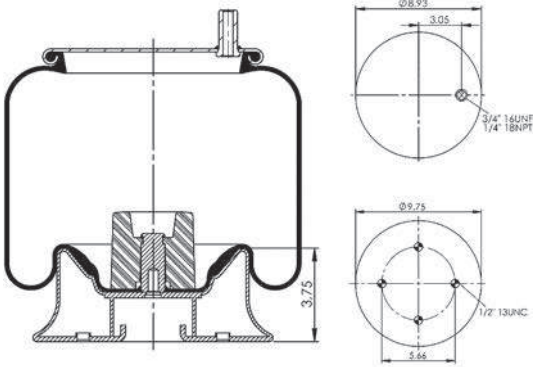
FIRESTONE W01-358-9634**SA
CONTITECH 9 10-14 P 575**SA

OEM REFERENCES

FREIGHTLINER 16-14263-000
16-14263-001
16-15443-000

1600-9640 TA

Pallet Size: 115*80*91 Product Weight (Kg): 8,35 Pallet Quantity: 28



CROSS REFERENCES

FIRESTONE
CONTITECH
GOODYEAR

W01-358-9640
910-12A427
1R12-367

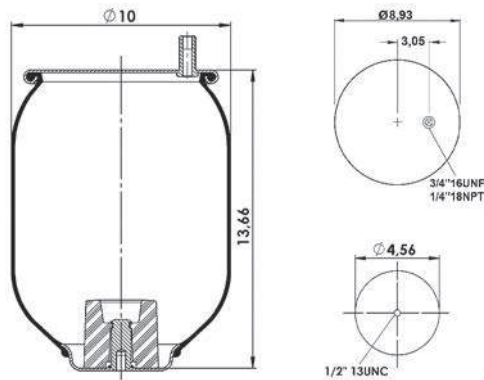
OEM REFERENCES

TRIANGLE
HENDRICKSON

8427
HS-190T
HT-190T
S20223

1600-9640 LA

Pallet Size: 115*80*80 Product Weight (Kg): Pallet Quantity: 28



CROSS REFERENCES

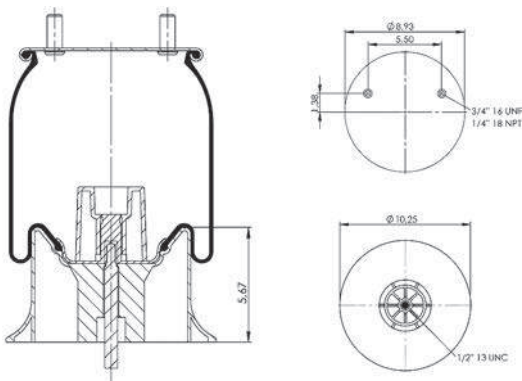
FIRESTONE

W01-358-9640**SA

OEM REFERENCES

1600-9644 PTA

Pallet Size: 115*80*80 Product Weight (Kg): 6,40 Pallet Quantity: 28



CROSS REFERENCES

FIRESTONE
CONTITECH

W01-358-9644
9 10BP-16 P 569

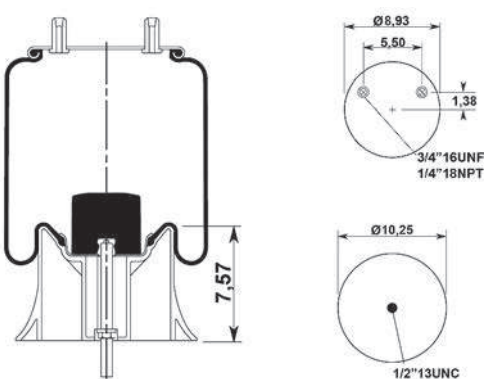
OEM REFERENCES

HENDRICKSON

S-23721

1600-9645 PTA

Pallet Size: 115*80*91 Product Weight (Kg): 7,44 Pallet Quantity: 28



CROSS REFERENCES

FIRESTONE
CONTITECH

W01-358-9645
910BP-22P739

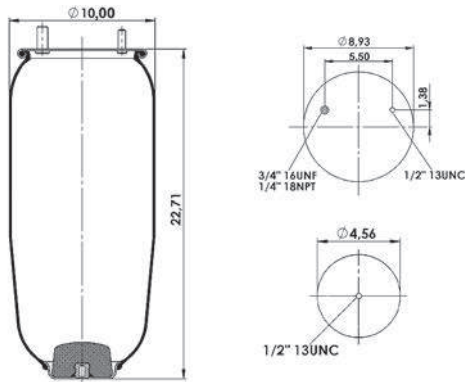
OEM REFERENCES

TRIANGLE
HENDRICKSON

8564
AA250L
S23612

1600-9645 LA

Pallet Size: 115*80*80 Product Weight (Kg): Pallet Quantity: 28



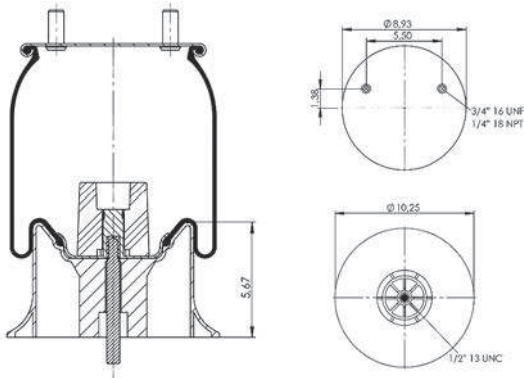
CROSS REFERENCES

FIRESTONE W01-358-9645**SA

OEM REFERENCES

1600-9646 PTA

Pallet Size: 115*80*80 Product Weight (Kg): 7,21 Pallet Quantity: 28



CROSS REFERENCES

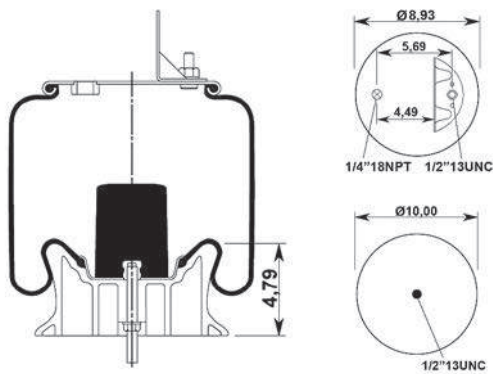
FIRESTONE W01-358-9646
CONTITECH 9 10BP-20 P 738

OEM REFERENCES

HENDRICKSON S-23611

1600-9647 PTA

Pallet Size: 115*80*91 Product Weight (Kg): 7,50 Pallet Quantity: 20



CROSS REFERENCES

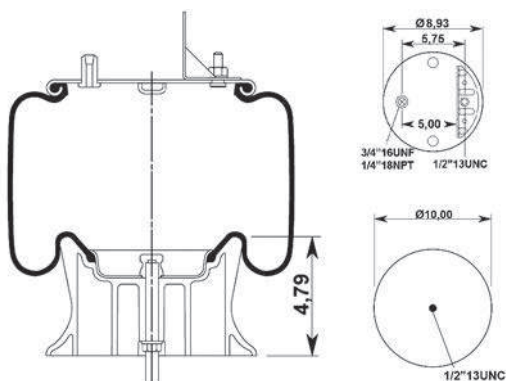
FIRESTONE W01-358-9647
1T15MT-8

OEM REFERENCES

MACK 57QL417M
HENDRICKSON TRUCK 58786-2
HENDRICKSON 649172

1600-9648 PTA

Pallet Size: 115*80*91 Product Weight (Kg): 7,04 Pallet Quantity: 28



CROSS REFERENCES

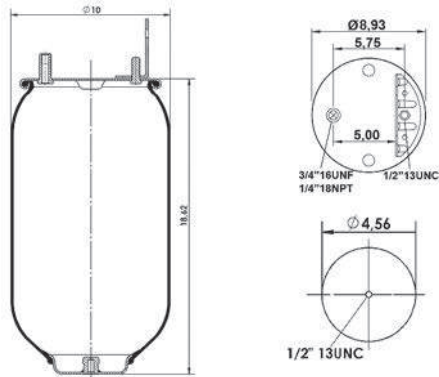
FIRESTONE W01-358-9648
CONTITECH 910-18.5P456
GOODYEAR 1R12-538

OEM REFERENCES

NAVISTAR 2027911C1
2027911C2

1600-9648 LA

Pallet Size: 115*80*80 Product Weight (Kg): Pallet Quantity: 28



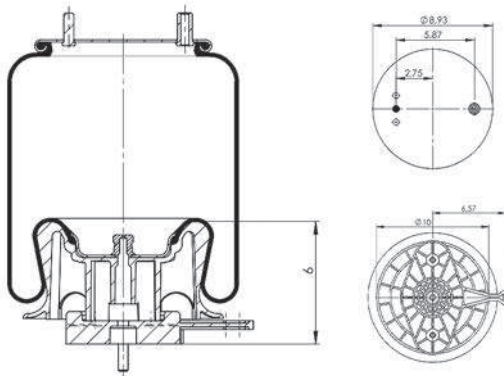
CROSS REFERENCES

FIRESTONE W01-358-9648**SA

OEM REFERENCES

1600-9654 PTA

Pallet Size: 115*80*91 Product Weight (Kg): Pallet Quantity: 28



CROSS REFERENCES

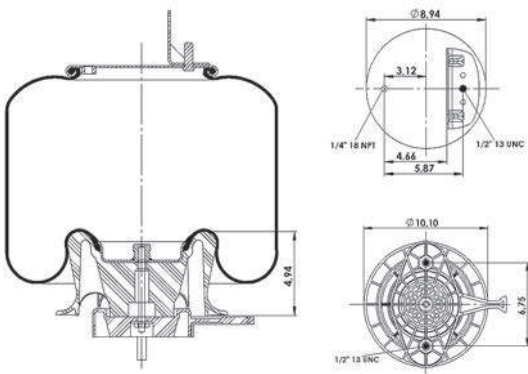
FIRESTONE W01-358-9654
CONTITECH 9 10-18.5 P 097

OEM REFERENCES

HENDRICKSON 65032-2

1600-9663 PTA

Pallet Size: 115*80*91 Product Weight (Kg): 7,53 Pallet Quantity: 28



CROSS REFERENCES

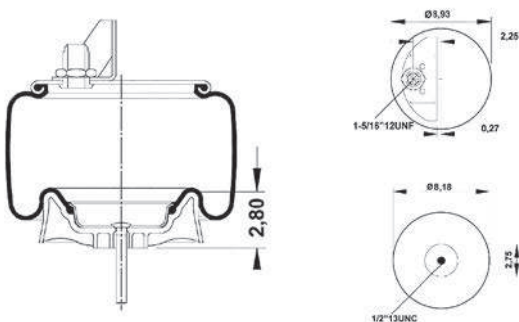
FIRESTONE W01-455-9663
CONTITECH W01-358-9663
FIRESTONE 9 10-18.5 P 939
1T15M-8

OEM REFERENCES

HENDRICKSON 60271-002

1600-9675 PTA

Pallet Size: 115*80*80 Product Weight (Kg): 5,17 Pallet Quantity: 28



CROSS REFERENCES

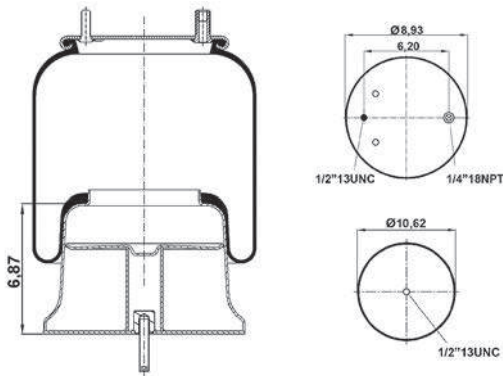
FIRESTONE W01-358-9675

OEM REFERENCES

WATSON & CHALIN AS0169
TRIANGLE 8576
KASSBOHRER K-303-22

1600-9780 PTA

Pallet Size: 115*80*80 Product Weight (Kg): 5,89 Pallet Quantity: 24


CROSS REFERENCES

 FIRESTONE
 CONTITECH
 FIRESTONE
 GOODYEAR

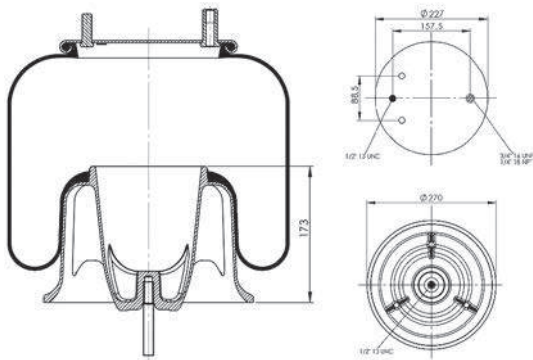
 W01-358-9780
 9 10S-16 A 382
 1T15ZR-6
 1R12-303

OEM REFERENCES

 FREIGHTLINER
 161673000
 1613810000

1600-9781 TALU

Pallet Size: 115*80*80 Product Weight (Kg): 6,35 Pallet Quantity: 24


CROSS REFERENCES

 FIRESTONE
 CONTITECH
 FIRESTONE
 GOODYEAR

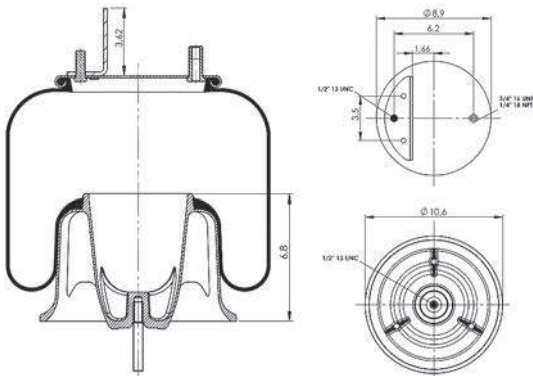
 W01-358-9781
 910S16A382
 1T15ZR-6
 1R12-603

OEM REFERENCES

 FREIGHTLINER
 1613840000
 1616773000
 6813200017
 A1614004000

1600-9781 TALU2

Pallet Size: 115*80*80 Product Weight (Kg): 7,06 Pallet Quantity: 24


CROSS REFERENCES

 FIRESTONE
 CONTITECH
 FIRESTONE
 GOODYEAR

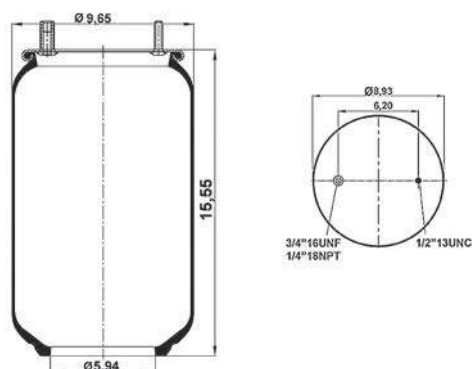
 W01-358-9781
 910S16A382
 1T15ZR-6
 1R12-603

OEM REFERENCES

 FREIGHTLINER
 1613840000
 1616773000
 6813200017
 A1614004000

1600-9781 LA

Pallet Size: 115*80*75 Product Weight (Kg): 4,42 Pallet Quantity: 28


CROSS REFERENCES

FIRESTONE

W01-358-9781**SA

OEM REFERENCES

1600-9782 TA

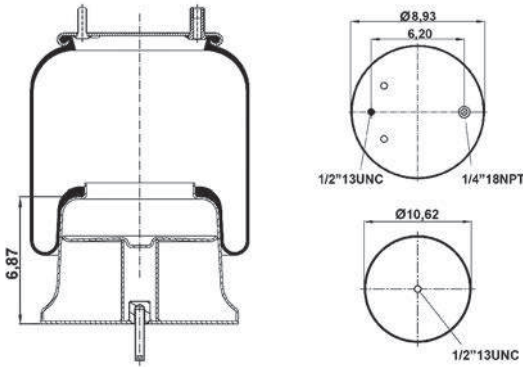
Pallet Size: 115*80*80 Product Weight (Kg): 9,15 Pallet Quantity: 24

CROSS REFERENCES

FIRESTONE W01-358-9782
 IT15ZR-6

OEM REFERENCES

FREIGHTLINER 161381000
 1616773000
 6813200017
 A1614004000
 1613810001



1600-9807 PTA

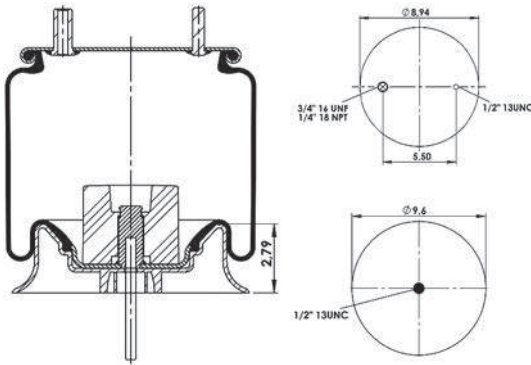
Pallet Size: 115*80*65 Product Weight (Kg): Pallet Quantity: 28

CROSS REFERENCES

FIRESTONE W01-358-9807
 CONTITECH 910-13.5 P 874

OEM REFERENCES

SAF HOLLAND 50857000
 90557372



1600-9875 PTA

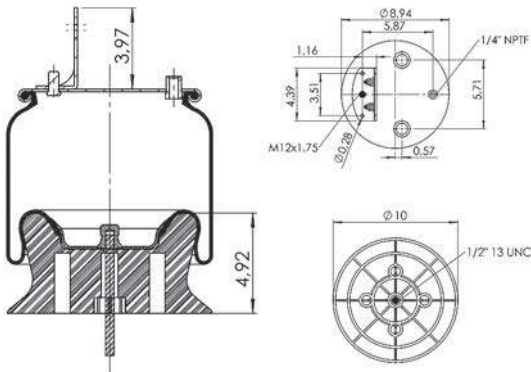
Pallet Size: 115*80*91 Product Weight (Kg): 7,21 Pallet Quantity: 28

CROSS REFERENCES

FIRESTONE W01-358-9875
 GOODYEAR 1R12-432

OEM REFERENCES

INTERNATIOAL 3541731C1



1600-9875 LA

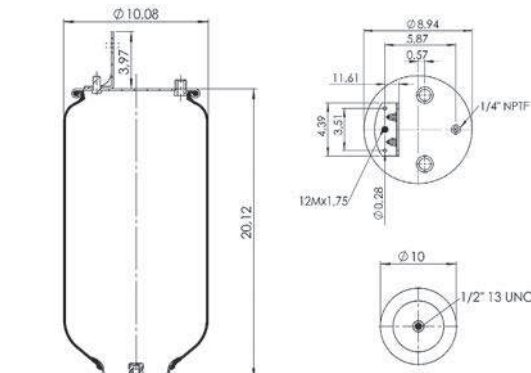
Pallet Size: 115*80*80 Product Weight (Kg): Pallet Quantity: 28

CROSS REFERENCES

FIRESTONE W01-358-9875**SA
 GOODYEAR 1R12-432**SA

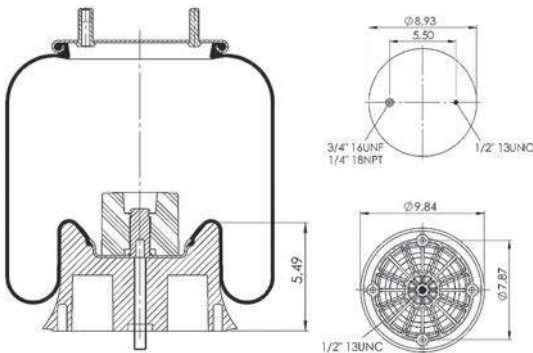
OEM REFERENCES

NAVISTAR/FLEETRITR 3541731C1
 INTERNATIONAL 3541731C1



1600-9921 PTA

Pallet Size: 115*80*80 Product Weight (Kg): 6,47 Pallet Quantity: 28



CROSS REFERENCES

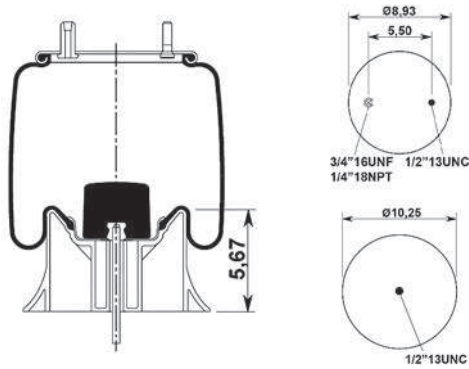
FIRESTONE W01-358-9921
GOODYEAR 1R12-502

OEM REFERENCES

WATSON & CHALIN AS-0090
TRIANGLE 8443
NEWAY 90557117

1600-9923 PTA

Pallet Size: 115*80*91 Product Weight (Kg): Pallet Quantity: 28



CROSS REFERENCES

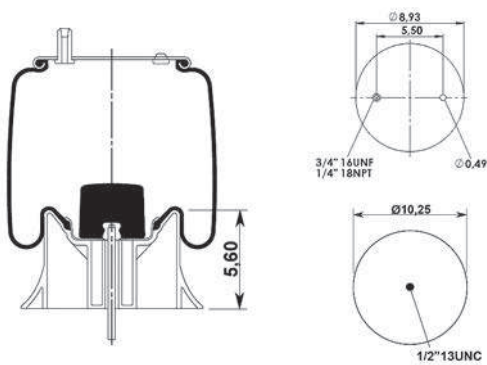
CONTITECH 9 10-17.5 P 429
FIRESTONE 1T15M-8
GOODYEAR 1R12-481 566-24-3-097
FIRESTONE W01-358-9923

OEM REFERENCES

TRIANGLE 8429 6391

1600-9935 PTA

Pallet Size: 115*80*91 Product Weight (Kg): 6,47 Pallet Quantity: 28



CROSS REFERENCES

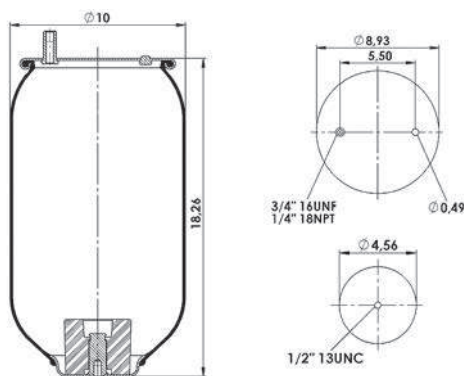
FIRESTONE W01-358-9935

OEM REFERENCES

NEWAY 90557157

1600-9935 LA

Pallet Size: 115*80*80 Product Weight (Kg): Pallet Quantity: 28



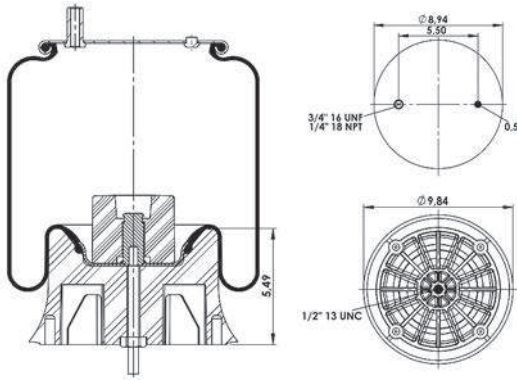
CROSS REFERENCES

FIRESTONE W01-358-9935**SA

OEM REFERENCES

1600-9936 PTA

Pallet Size: 115*80*91 Product Weight (Kg): Pallet Quantity: 28



CROSS REFERENCES

FIRESTONE
GOODYEAR

W01-358-9936
1R12-499

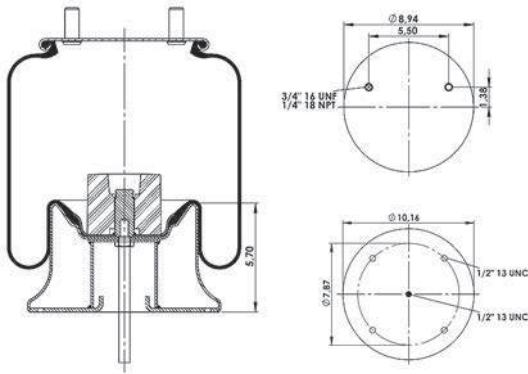
OEM REFERENCES

NEWAY

90557300
90557156 (RL-228-14,15,16)

1600-9974 TA

Pallet Size: 115*80*80 Product Weight (Kg): 10,17 Pallet Quantity: 28



CROSS REFERENCES

FIRESTONE

W01-358-9974

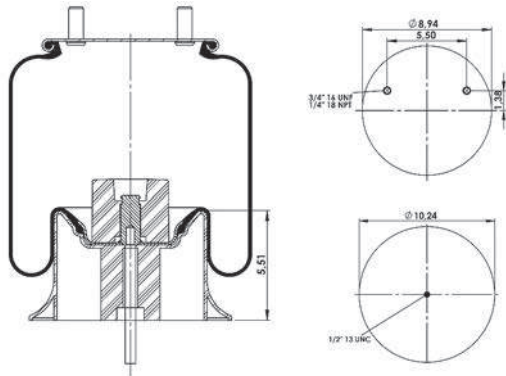
OEM REFERENCES

SAF HOLLAND

90557332

1600-9974 PTA

Pallet Size: 115*80*80 Product Weight (Kg): Pallet Quantity: 28



CROSS REFERENCES

FIRESTONE

W01-358-9974**CPL

OEM REFERENCES

SAF HOLLAND

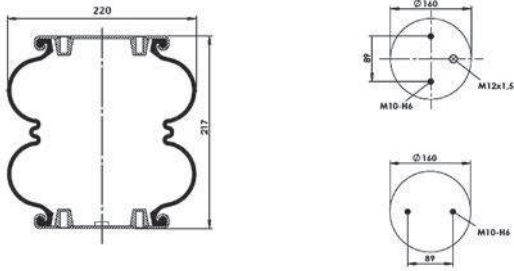
90557333**CPL



CONVOLUTED
AIR SPRINGS

1600-220 DD1

Pallet Size: 115*80*91 Product Weight (Kg): Pallet Quantity: 28



CROSS REFERENCES

CONTITECH
FIRESTONE
VIBRACOUSTIC

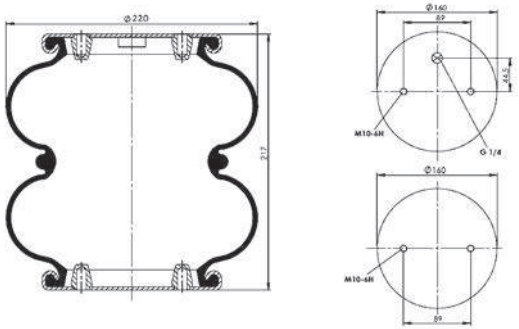
FD 200-19 P02
W01-M58-7756
V SP 2 B 12 R-11

OEM REFERENCES

GRANNING 15784
HENDRICKSON HS506616
Q7321000
HS505613
HS506118
MERCEDES 9423206021
A9423270601
A9423205821

1600-220 DD4

Pallet Size: 115*80*80 Product Weight (Kg): 10,17 Pallet Quantity: 28



CROSS REFERENCES

AIRKRAFT
CF GOMMA
CONTITECH

DUNLOP
DUNLOP UK
FIRESTONE

GART
GOODYEAR

PHOENIX
PIRELLI
PRIMERIDE
VIBRACOUSTIC

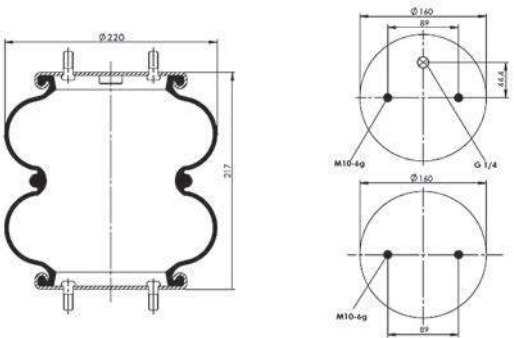
2B-220 113001
206797
FD200-19 G1/4
FD 200-19 1/4 M10
S09201NB
01128A-AP
W01-M58-6887
W01-M58-6910
W01-M58-7887
T291 / 2 (291.2.200)
2b9-223
2B9-201
SP 2B12 R1/4
T20
5200-19 A P01
SP 2 B 12 R

OEM REFERENCES

DAF 21222663
654464
GRANNING 15603
MERITOR 21221395
PEGASO 528919 5236
528919 5231
528919 5266
ROR 21222663
21221395
TERBERG 21074519
WEWELER 06910F

1600-220 DD7

Pallet Size: 115*80*80 Product Weight (Kg): Pallet Quantity: 28



CROSS REFERENCES

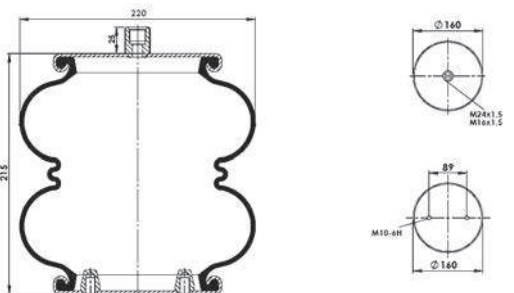
AIRKRAFT

2B-220 113021

OEM REFERENCES

1600-220 DD20

Pallet Size: 115*80*80 Product Weight (Kg): Pallet Quantity: 28



CROSS REFERENCES

CONTITECH
FIRESTONE
VIBRACOUSTIC

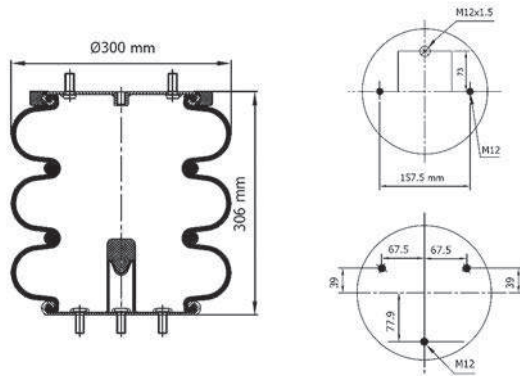
FD 200-19 P02
W01-M58-7756
V SP 2 B 12 R-11

OEM REFERENCES

GRANNING 15784
HENDRICKSON HS506616
Q7321000
HS505613
HS506118
MERCEDES 9423206021
A9423270601
A9423205821

1600-305 3D1

Pallet Size: 115*80*91 Product Weight (Kg): Pallet Quantity: 28



CROSS REFERENCES

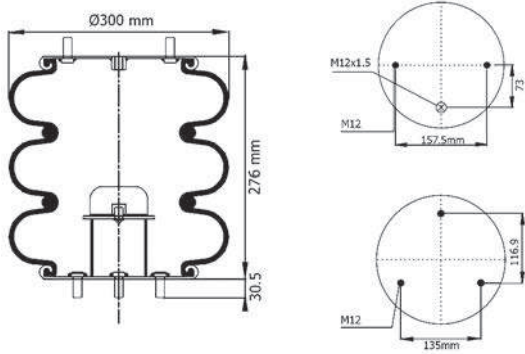
BMC 57RS3066424

OEM REFERENCES

AIRKRAFT 3B-305 HYD 115021

1600-310 3D1

Pallet Size: 115*80*80 Product Weight (Kg): 10,17 Pallet Quantity: 28



CROSS REFERENCES

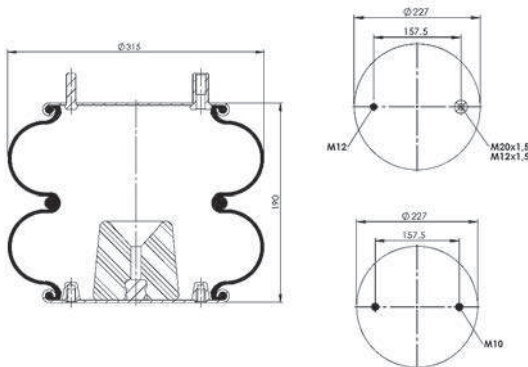
GRANNING 17017

OEM REFERENCES

AIRKRAFT 3B-310 HYD 115008
GART T271/S (271.3.296)

1600-315 DD1

Pallet Size: 115*80*80 Product Weight (Kg): Pallet Quantity: 28



CROSS REFERENCES

HENDRICKSON HS507906/P

OEM REFERENCES

AIRKRAFT 2B-315 113320
PHOENIX SP2B22-Ra-2



INDEX

ARBENT REFERENCE	CROSS NAME	CROSS REFERENCE	OEM NAME	OEM REFERENCE	PAGE NO
1600-25			TEMSA	F-25 SAFIR FRONT	2
1600-111	TOYO	TOYO 85	MAROTON		2
1600-112	VIBRACOUSTIC	V01 G12	ISUZU MD27	388885000000	2
1600-240			TEMSA	TRL-240 SAFIR REAR	2
1600-250			IVECO	41006926	3
1600-270	TOYO	TRL 270			3
1600-415-25	FIRESTONE	W01-095-0381	VOLVO	3027271	4
1600-415-25	CONTITECH	RZ415-25			4
1600-415-25	FIRESTONE	1R5P345290			4
1600-415-25	GOODYEAR	9004			4
1600-415 AT25					3
1600-415-28	FIRESTONE	W01-095-0382	VOLVO	3027272	4
1600-415-28	CONTITECH	RZ415-28			4
1600-415-28	FIRESTONE	1R5P410290			4
1600-415-28	GOODYEAR	9005			4
1600-415 AT28					4
1600-450-25	CONTITECH	RZ450-25	MERCEDES-BENZ	3563270001	4
1600-450-25	GOODYEAR	9050	IVECO	93197594	4
1600-450-25			EVO BUS (Daimler Chrysler)	A3563270001	4
1600-644	FIRESTONE	W01-095-0118	VOLVO	1134445/1199893	4
1600-644	VIBRACOUSTIC	V1E21(-2)	VAN HOOL	624319-420	4
1600-644	CONTITECH	644 N	VAN HOOL	624319-610	4
1600-644	FIRESTONE	1R1A390295	NEOPLAN	10010300	4
1600-644			NEOPLAN	100112254	4
1600-644			MERCEDES-BENZ	3643277301	4
1600-644			MERCEDES-BENZ	A3643277001	4
1600-644			MENARRINI	199796	4
1600-644			MAN	81436010017	4
1600-644			HANOMAG-HENSCHEL	546905134	4
1600-644			GRANNING	15622	4
1600-644			EVO (MB)	A0003270101	4
1600-644			EVO (MB)	A3073280001	4
1600-644			EVO	4771143000	4
1600-644			EVO	4771170000	4
1600-644			EVO	4771441000	4
1600-644			DAF	689677-1622111	4
1600-644			BUSSING	536905265	4
1600-644			BPW	02.200.24.40.0	4
1600-644			BMC	7B71090	4
1600-661	FIRESTONE	W01-095-0021	VOLVO	1137882/1137888	5
1600-661	VIBRACOUSTIC	V1E25-2	VOLVO	3159253	5
1600-661	CONTITECH	661 N	VAN HOOL	624319-670	5
1600-661	FIRESTONE	1R1C390310	VAN HOOL	624319-690	5
1600-661			SCHMITZ-ANHANGER	750208	5
1600-661			NEOPLAN	100112250	5
1600-661			NEOPLAN	AA10-01-001	5
1600-661			MAZ	103	5
1600-661			MAZ	104C	5
1600-661			MAZ	105	5
1600-661			MAZ	151	5
1600-661			MAGIRUS-DEUTZ	2498667	5
1600-661			MAGIRUS-DEUTZ	90831120144	5
1600-661			IVECO	4746733	5
1600-661			IVECO	41822247	5
1600-661			IRIS	5001829866	5
1600-661			HANOMAG-HENSCHEL	546905134	5
1600-661			GT-FRUEHAUF	536905266	5
1600-661			GRANNING	15621	5
1600-661			EVO-BUS (Kassbohrer-Setra)	4731012000	5
1600-661			EVO-BUS (Kassbohrer-Setra)	4731042000	5
1600-661			EVO-BUS (Kassbohrer-Setra)	4771427000	5
1600-661			EVO-BUS	4731031000	5
1600-662	FIRESTONE	W01-095-0207	WARSTEINER	501	5
1600-662	CONTITECH	662 N	VDL / DAF	578361	5

ARBENT REFERENCE	CROSS NAME	CROSS REFERENCE	OEM NAME	OEM REFERENCE	PAGE NO
1600-662	FIRESTONE	1R1D355355	SICCA	2680662000	5
1600-662	GOODYEAR	9007	SCHMITZ-ANHANGER	750209	5
1600-662			NEOPLAN	1000110200	5
1600-662			NEOPLAN	1000112251	5
1600-662			NEOPLAN	AA10-01-002	5
1600-662			MAN	8143610018	5
1600-662			MAN	81436010051	5
1600-662			GRANNING	15623	5
1600-662			BPW	02.200.24.60.0	5
1600-673	FIRESTONE	W01-095-0198	VOLVO	1611776	5
1600-673	CONTITECH	673 N	VOLVO	6135049	5
1600-673	GOODYEAR	566-03-9051	VAN HOOL	624319-860	5
1600-673	FIRESTONE	1R1A370285	MERCEDES-BENZ	33732710001	5
1600-673			MERCEDES-BENZ	3833270001	5
1600-673			MAGIRUS-DEUTZ	2491566	5
1600-673			INBUS	50011098	5
1600-673			EVO BUS (Daimler Chrysler)	A3833270001	5
1600-673			DAF	627584	5
1600-673			BERTOJA	45402001	5
1600-701	FIRESTONE	W01-095-0205	BOVA	B510040	5
1600-701	CONTITECH	701 N			5
1600-701	FIRESTONE	1R3M340340			5
1600-701	GOODYEAR	9006			5
100-701-02	GOODYEAR	9011			6
1600-706	CONTITECH	706N1	MAN	81436010096	6
1600-706				81436010098	6
1600-706				81436010101	6
1600-706				81436010127	6
1600-706				81436010139	6
1600-713	CONTITECH	713N	VOLVO	1622116	6
1600-713				6797169	6
1600-715	FIRESTONE	W01-095-0087	VOLVO	6885533	6
1600-715	CONTITECH	715 N	MERCEDES-BENZ	A3633280001	6
1600-715	FIRESTONE	1R1C335310	MAN	81436010059	6
1600-715	GOODYEAR	8015		81436010060	6
1600-715				81436010061	6
1600-715				81436010075	6
1600-715				81436010078	6
1600-715				81436010081	6
1600-715				81436010083	6
1600-715				81436010090	6
1600-715				81436010113	6
1600-715				81436010115	6
1600-715				81436010117	6
1600-715			IVECO	4456111	6
1600-715				4763473	6
1600-715			IRIS BUS (RENAULT V.I.)	5000819517	6
1600-715			DAF	659561	6
1600-716	FIRESTONE	W01-095-0145	VOLVO	1593842	7
1600-716	CONTITECH	7160 N	MAN	81436010039	7
1600-716	FIRESTONE	1R2A450305	MAN	81436010040	7
1600-719	FIRESTONE	W01-095-0192	SCHMITZ	750215	7
1600-719	CONTITECH	719 N	NEOPLAN	100110100	7
1600-719	FIRESTONE	1R2D530360	NEOPLAN	102100200	7
1600-719	GOODYEAR	8118	GIGANT	166205	7
1600-719			GIGANT	196036	7
1600-719			EVO-BUS	4731032000	7
1600-719			DAF	818225	7
1600-719			BPW	02.200.24.00.0	7
1600-719			BPW	05.429.39.64.0	7
1600-720	FIRESTONE	W01-095-0195	VOLVO	1590136	7
1600-720	CONTITECH	720 N	VOLVO	1629193	7
1600-720	FIRESTONE	1R2A460295	NEOPLAN	100112300	7
1600-720	GOODYEAR	9008	MERCEDES-BENZ	3873280101	7

ARBENT REFERENCE	CROSS NAME	CROSS REFERENCE	OEM NAME	OEM REFERENCE	PAGE NO
1600-720			MAN	81436010033	7
1600-720			MAN	81436010036	7
1600-720			MAN	81436010037	7
1600-720			DENNIS	650292/8	7
1600-720			DENNIS	650883/7	7
1600-727	FIRESTONE	W01-095-0191	VOLVO	113446	7
1600-727	CONTITECH	727 N	VAN HOOL	624319-640	7
1600-727	FIRESTONE	1R2D460360	MERCEDES-BENZ		7
1600-727	GOODYEAR	8117	MAN	81436010056	7
1600-727			MAN	81436010057	7
1600-727			MAN	81436010058	7
1600-727			MAN	81436010076	7
1600-727			MAN	81436010079	7
1600-727			MAN	81436010082	7
1600-727			MAN	81436010084	7
1600-727			MAN	81436010091	7
1600-727			MAN	81436010114	7
1600-727			MAN	81436010116	7
1600-727			GIGANT	166226	7
1600-727			GIGANT	196043	7
1600-727			DAF	638148	7
1600-728	FIRESTONE	W01-095-0419	SCHMITZ-ANHANGER	750212	8
1600-728	CONTITECH	728 N			8
1600-728	FIRESTONE	1R2D470360			8
1600-737	FIRESTONE	W01-095-0211	MERCEDES-BENZ	A3933280101	8
1600-737	CONTITECH	737 N	MENARRINI	178739	8
1600-737	FIRESTONE	1R2A480330			8
1600-746	CONTITECH	746 N	MERCEDES-BENZ	A3183280001	8
1600-757	FIRESTONE	W01-095-0212	MERCEDES-BENZ	A3633280201	8
1600-757	CONTITECH	757 N			8
1600-757	FIRESTONE	1R2A380305			8
1600-762	FIRESTONE	W01-095-1090	VAN HOOL	624319460	9
1600-762	CONTITECH	762 N	NEOPLAN	102100300	9
1600-762	FIRESTONE	1R2D390360	MERCEDES-BENZ	A3823277101	9
1600-762	GOODYEAR	9010	MAN	81436010049	9
1600-762			MAN	81436010052	9
1600-762			GIGANT	161209	9
1600-762			GIGANT	161210	9
1600-762			GIGANT	196035	9
1600-762			EVO-BUS(KASSBOHRER)	4731013000	9
1600-762			DAF	644425	9
1600-762			BPW	02.200.24.20.0	9
1600-768	FIRESTONE	W01-095-0213	VOLVO	1612455	9
1600-768	CONTITECH	768 N	IRIS	5000954175	9
1600-768	FIRESTONE	1R2A380330	VAN HOOL	624319860	9
1600-769	FIRESTONE	W01-095-0204	MENARRINI	252933	9
1600-769	CONTITECH	769 N	IRIS BUS(RENAULT V.I.)	5000786640	9
1600-769	GOODYEAR	556-03-8010	IRIS BUS(RENAULT V.I.)	5000786641	9
1600-769	FIRESTONE	1R1A380260	IRIS BUS(RENAULT V.I.)	5000805284	9
1600-775	CONTITECH	775 N	KASSBOHRER	4731040000	9
1600-775			GIGANT	196038	9
1600-775			BPW	02.200.24.70.0	9
1600-782	FIRESTONE	W01-095-0197	MERCEDES-BENZ	A3823277201	10
1600-782	VIBRACOUSTIC	V1E21D	IVECO	4703904	10
1600-782	CONTITECH	782 N	IVECO	500324098	10
1600-782	FIRESTONE	1R1A415285	IVECO	4703972	10
1600-782			IVECO	5003 24098	10
1600-782			IRIS BUS(RENAULT V.I.)	5000787632	10
1600-782			IRIS BUS(RENAULT V.I.)	5000869179	10
1600-782			IRIS BUS(RENAULT V.I.)	5000945175	10
1600-782			IRIS BUS(RENAULT V.I.)	5000954176	10
1600-786	FIRESTONE	W01-095-0436	MAN	81436010053	10
1600-786	CONTITECH	786 N			10
1600-786	FIRESTONE				10

ARBENT REFERENCE	CROSS NAME	CROSS REFERENCE	OEM NAME	OEM REFERENCE	PAGE NO
1600-788	CONTITECH	788 N	VOLVO	6782726	10
1600-788			VAN HOOL	624319-560	10
1600-788			NEOPLAN	100112100	10
1600-788			MERCEDES-BENZ	A6743280301	10
1600-817	CONTITECH	817 N	RENAULT V.I	5000805998	10
1600-817			RENAULT V.I	5810111355	10
1600-819	CONTITECH	819 N	MERCEDES-BENZ	A0003280101	11
1600-822	CONTITECH	822 N	IVECO	4680913	11
1600-822			IVECO	41822247	11
1600-822			BOVA	B180784	11
1600-822-2	CF GOMMA	1T 252-2 / 86984			11
1600-838	CONTITECH	838 N	MERCEDES-BENZ	A6743280001	11
1600-873	CONTITECH	873 N	MERCEDES-BENZ	A6743280101	12
1600-876	CONTITECH	876 N	IVECO	8139068	12
1600-876	GOODYEAR	8314 N	IRIS BUS(RENAULT V.I.)	5000296816	12
1600-879	CONTITECH	879 N	IVECO	4681868	12
1600-879			BOVA	B184138	12
1600-882	FIRESTONE	W01-095-0435	MERCEDES-BENZ		12
1600-882	CONTITECH	882 N1	MERCEDES-BENZ		12
1600-882	FIRESTONE	1R4R465260	MAN	A6583280101	12
1600-882	GOODYEAR	9048	MAN	A6993280101	12
1600-882			MAN	81436010065	12
1600-882			MAN	81436010067	12
1600-882			MAN	81436010070	12
1600-882			MAN	81436010092	12
1600-882			MAN	81436010099	12
1600-882			MAN	81436010103	12
1600-882			MAN	81436010121	12
1600-882			MAN	81436010132	12
1600-882			MAN	81436010136	12
1600-883	CONTITECH	883 N1	VOLVO	1082085	13
1600-883	GOODYEAR	9012	MAN	81436010071	13
1600-883			MAN	81436010072	13
1600-883			MAN	81436010110	13
1600-883			MAN	81436010128	13
1600-884	VIBRACOUSTIC	V1F20A	RENAULT V.I	5010294157	13
1600-884	CONTITECH	884 N	MERCEDES-BENZ	A6583280001	13
1600-884	GOODYEAR	9002	MAZ	643021	13
1600-884			MAN	81436010066	13
1600-884			MAN	81436010068	13
1600-884			MAN	81436010069	13
1600-884			MAN	81436010106	13
1600-884			MAN	81436010108	13
1600-884			IVECO	8188539	13
1600-884			IVECO	5000301452	13
1600-884			IRIS BUS(RENAULT V.I.)	5010294385	13
1600-896	FIRESTONE	W01-095-0245	SCANIA/SCANIA BUSSAR	411627	13
1600-896	CONTITECH	896 N	DENNIS	655606/1	13
1600-896	FIRESTONE	1R1J520285	DENNIS	656300/2	13
1600-896	GOODYEAR	8040			13
1600-897	FIRESTONE	W01-095-0229	SCANIA	402315	13
1600-897	CONTITECH	897 N	SCANIA	411622	13
1600-897	FIRESTONE	1R1K440320	SCANIA	411623	13
1600-897	GOODYEAR	8028	PEGASO	794686	13
1600-897			PEGASO	795097	13
1600-897			DENNIS	656289/2	13
1600-916	FIRESTONE	W01-095-0555	OPTARE	L5820005	14
1600-916	CONTITECH	916 N1	MAN	81436010095	14
1600-916	GOODYEAR	9015	MAN	81436010097	14
1600-916			MAN	81436010100	14
1600-916			MAN	81436010102	14
1600-916			MAN	81436010105	14
1600-916			MAN	81436010126	14
1600-916			MAN	81436010138	14

ARBENT REFERENCE	CROSS NAME	CROSS REFERENCE	OEM NAME	OEM REFERENCE	PAGE NO
1600-921	FIRESTONE	W01-095-0226	IRIS BUS(RENAULT V.I.)	5000288982	14
1600-921	CONTITECH	921 N	EVO-BUS(DAIMLER CHRYSLER)		14
1600-921	FIRESTONE	1R1A415260			14
1600-921	GOODYEAR	8043			14
1600-927	FIRESTONE	W01-095-0244	VOLVO	3116354	14
1600-927	CONTITECH	927 N	LEYLAND	AAU2542	14
1600-927	FIRESTONE	1R1J415285	DENNIS	611896/12	14
1600-927	GOODYEAR	8037	DENNIS	656299-2	14
1600-928	FIRESTONE	W01-095-0228	VOLVO	3116983	14
1600-928	CONTITECH	928 N	SCANIA	434932	14
1600-928	FIRESTONE	1R1K380320	LEYLAND	10904403	14
1600-928	GOODYEAR	8042	LEYLAND	AAU2544	14
1600-928			IVECO	6453741	14
1600-936	CONTITECH	936 N	RENAULT V.I	5000819370	15
1600-943	FIRESTONE	W01-095-0189	943 N	4890001	15
1600-943	CONTITECH		INBUS	6144040	15
1600-943	FIRESTONE			5001051	15
1600-944	FIRESTONE	W01-095-0121	VAN HOOL	624319-860	15
1600-944	VIBRACOUSTIC	V1E21-6	SICCA	4890001	15
1600-944	CONTITECH	944 N	SCANIA	523229	15
1600-944	GOODYEAR	556-03-9009	PORTESI	700176	15
1600-944	GOODYEAR	556-03-8016	MENARRINI	178623	15
1600-944			MENARRINI	325993	15
1600-944			IVECO	4714019	15
1600-944			IVECO	4714025	15
1600-944			IVECO	4722525	15
1600-944			IVECO	4738008	15
1600-944			IVECO	6657150	15
1600-944			IVECO	8188526	15
1600-944			INBUS	4840005	15
1600-944			DAF	627584	15
1600-945	FIRESTONE	W01-095-0063	PEGASO	197145	15
1600-945	CONTITECH	945 N	PEGASO	769388	15
1600-945	FIESTONE	1R1A460290	MENARRINI	178741	15
1600-945	GOODYEAR	9014	ACERBI	4716989	15
1600-946	CONTITECH	946 N	MERCEDES-BENZ	A6283230092	16
1600-975	FIRESTONE	W01-095-0437	ZF	501312548	16
1600-975	CONTITECH	975 N	MERCEDES-BENZ	A6993280101	16
1600-975	FIRESTONE	1R1T320195			16
1600-0545	FIRESTONE	W01-095-0545			16
1600-0789	GOODYEAR	9081	VOLVO	20 540 789	16
1600-0792	GOODYEAR	9082	VOLVO	20 540 792	17
1600-0810	FERVIAIR	01-0810			17
1600-1010			ISUZU	1-52111001-1	17
1600-1010			HINO	49711-1010	17
1600-1030			HINO	49711-1030	17
1600-1234	CONTITECH	1234 N1	IRIS BUS	5010393062	18
1600-1277	FIRESTONE	W01-095-0453	VOLVO	3111277	18
1600-1277	FIRESTONE	1R4U395260			18
1600-1415	CONTITECH	1415 N	RENAULT V.I	5006172377	18
1600-1415			IRIS BUS (RENAULT V.I.)	5001021414	18
1600-1421	FIRESTONE	W01-095-0472	VOLVO	1075290	18
1600-1421	FIRESTONE	1R2A490305			18
1600-1421	CONTITECH	1421 N			18
1600-1720	CONTITECH	1720 N	MERCEDES-BENZ	A6553270001	19
1600-1774	CONTITECH	1774 N	SCHMITZ-ANHANGER	750225	19
1600-1774			GIGANT	196039	19
1600-1774			EVO-BUS(KASSBOHRER-SETRA)	4731038000	19
1600-1774			BPW	02.200.24.30.0	19
1600-1788	CONTITECH	1788 N	IVECO	93166132	19
1600-1819	CONTITECH	1819 N	IVECO	93166129	20
1600-1876	CONTITECH	1876 N	RENAULT	5010294156	20
1600-1885	FIRESTONE	W01-095-0429	MAZ	544008-020	20
1600-1885	FIRESTONE	1R2A445280	MAZ	643008-020	20

ARBENT REFERENCE	CROSS NAME	CROSS REFERENCE	OEM NAME	OEM REFERENCE	PAGE NO
1600-1885	CONTITECH	1885 N1	MAN	81436010104	20
1600-1885	GOODYEAR	9003	MAN	81436010109	20
1600-1885			MAN	81436010111	20
1600-1885			MAN	81436010123	20
1600-1885			MAN	81436010125	20
1600-1885			MAN	81436010140	20
1600-1885			MAN	81436010150	20
1600-1885			IVECO	98478799	20
1600-1886	CONTITECH	1886 N	MAN	81436010161	20
1600-1888	CONTITECH	1888N	MAN	81436010163	21
1600-1924	CONTITECH	1924 N1	VOLVO	1075366	21
1600-1924			IRIS BUS(RENAULT V.I.)	5001843640	21
1600-2006			ISUZU MD27	PR-2006	21
1600-3202			KENWORTH	K066-450	21
1600-3654			OTOKAR	DORUK FRONT	22
1600-4112	VIBRACOUSTIC	V1G12b7	OTOKAR	OTOKAR M 2010	22
1600-4112				MAGIRUS REAR	22
1600-6305			VOLVO	20573305	22
1600-6306			VOLVO	20573306	22
1600-7019			VOLVO	41008929	23
1600-7020			IVECO	42531994	23
1600-7054	CONTITECH	6611 N	VOLVO	70377052	23
1600-7054	GOODYEAR	9138	VOLVO	70377054	23
1600-7142			VOLVO	8147142	23
1600-8520			IVECO	4843220	24
1600-8822	CONTITECH	88222 N5	YUTONG	2931-00448	24
1600-9020			IVECO	500324098	24
1600-9080	GOODYEAR	556-03-9080	VOLVO	20535875	24
1600-9162 F2	CONTITECH	9162 N5	YUTONG	2931-00412	25
1600-9162 F4	CONTITECH	916 N5	YUTONG	2931-00446	25
1600-26030			IVECO	8137291	25
1600-26032			IVECO	98411807	25
1600-27025	CF GOMMA	1S270-25C			26
1600-27025	CF GOMMA	97608			26
1600-27026	FIRESTONE	W01-095-0295	IVECO	500364686	26
1600-27026	VIBRACOUSTIC	V1E21E			26
1600-27026	FIRESTONE	1R1B415-270			26
1600-27027			IVECO	203698	26
1600-27027			IVECO	500319479	26
1600-28518			IVECO	8160165	26
1600-32336			IVECO	41022620	27
1600-80018	DUNLOP	220380018			27
1600-113-150L	FIRESTONE	W01-M58-8747**SA			29
1600-113-150L	GOODYEAR	1R13-150**SA			29
1600-220 L					29
1600-230 L1	TOYO	TRL 230M			29
1600-235 L1	TOYO	TRL 230L			29
1600-235 L2	TOYO	TRL230L1A			30
1600-235 L3	TOYO	TRL230L2A			30
1600-236 L			SPECIAL PRODUCT		30
1600-255 L	TOYO	TRL 250 LH			30
1600-724 L	CONTITECH	724 N P01	GIGANT	246169	31
1600-724 L	GOODYEAR	1R11-711			31
1600-725 L	CONTITECH	725 N P01	GIGANT	246149	31
1600-725 L	GOODYEAR	1R14-704			31
1600-726 L	CONTITECH	726 N P01	GIGANT	246192	31
1600-752 L	CONTITECH	752 N P01	GIGANT	247100	31
1600-792 L	CONTITECH	792 N P01**SA			32
1600-808 A	CONTITECH	808NT	MAN	81436010044	32
1600-808 AL	CONTITECH	808NTB	MAN	81436016017	32
1600-809 A	FIRESTONE	W01-M58-0031	MAN	81436010025	32
1600-809 A	CONTITECH	809NT			32
1600-809 A	FIRESTONE	1T15L-6			32
1600-809 AL	FIRESTONE	W01-M58-0687	MAN	81436016002	33

ARBENT REFERENCE	CROSS NAME	CROSS REFERENCE	OEM NAME	OEM REFERENCE	PAGE NO
1600-809 AL	CONTITECH	809NTB			33
1600-809 AL	FIRESTONE	1T15L-6			33
1600-809 AL	GOODYEAR	1R12-709			33
1600-810 L	FIRESTONE	W01-M58-7237			33
1600-810 L	VIBRACOUSTIC	V1D28A-5 NP			33
1600-810 L	CONTITECH	810 MB/O			33
1600-810 L	FIRESTONE	1T19L-7			33
1600-810 L1			MAN	81436010042	33
1600-810 L10			SPECIAL PRODUCT		33
1600-810 L14					34
1600-810 L15	FIRESTONE	W01-M58-7335**SA			34
1600-810 A	FIRESTONE	W01-M58-0491	MAN	81436010047	34
1600-810 A	CONTITECH	810NT			34
1600-810 A	FIRESTONE	1T19L-7			34
1600-810 A	GOODYEAR	1R14-714			34
1600-810 AL	FIRESTONE	W01-M58-0749	PEGASO	174933	34
1600-810 AL	CONTITECH	810NTB	MAN	81436016019	34
1600-810 AL	FIRESTONE	1T19L-7			34
1600-810 AL	GOODYEAR	1R14-713			34
1600-811 L	CONTITECH	811 M	DAF	67306	35
1600-811 L			DAF	676122	35
1600-811 L1	FIRESTONE	1T19L-11			35
1600-811 L2	FIRESTONE	1T19L-11			35
1600-811 L4	FIRESTONE	1T19L-11			35
1600-811 L5					36
1600-811 L16	CONTITECH	811M16	DAF	67452	36
1600-811-A16 L	FIRESTONE	1T9F-11			36
1600-811-A22 L	FIRESTONE	W01-M58-6359	DAF	4731029000	36
1600-811-A22 L	CONTITECH	811 MB**SA	DAF	0 526 823	36
1600-811-A22 L	FIRESTONE	1T19F-11			36
1600-811 A	FIRESTONE	W01-M58-0028	MAN	81436010035	37
1600-811 A	CONTITECH	811NT	MAN	81436010048	37
1600-811 A	FIRESTONE	1T19L-10	DAF	4731029000	37
1600-811 A	GOODYEAR	1R14-715			37
1600-811 AL	FIRESTONE	W01-M58-0747			37
1600-811 AL	CONTITECH	811NTB			37
1600-811 AL	FIRESTONE	1T19L-10			37
1600-813 L	FIRESTONE	W01-M58-7238			37
1600-813 L	CONTITECH	813 MB/O			37
1600-813 L	FIRESTONE	1T19L-11			37
1600-813 L1	FIRESTONE	1T19L-11			37
1600-813 L2			SPECIAL PRODUCT		38
1600-813 L6	FIRESTONE	1T19L-11			38
1600-813 L10			SPECIAL PRODUCT		38
1600-836 L	FIRESTONE	W01-M58-0776	DAF	0 067 504	38
1600-836 L	VIBRACOUSTIC	V1DF25-1			38
1600-836 L	CONTITECH	836 M			38
1600-836 L	FIRESTONE	1T17AR-4.5			38
1600-836 L	GOODYEAR	1R12-700			38
1600-836 L2	FIRESTONE	W01-M58-0777	DAF	513982	39
1600-836 L2	VIBRACOUSTIC	V1DF25-3			39
1600-836 L2	CONTITECH	836 M2			39
1600-836 L2	FIRESTONE	1T17AR-4.5			39
1600-836 L2	GOODYEAR	1R12-710			39
1600-836 L3			BMC BELDE	7B 100323BMC P	39
1600-836 L5	CONTITECH	836 N P05**SA			39
1600-836 L13			SPECIAL PRODUCT		40
1600-836 L14	CONTITECH	836 N P10**SA			40
1600-881 L	FIRESTONE	W01-M58-8978	BPW	05.429.40.01.0	40
1600-881 L	VIBRACOUSTIC	V1DK32	BPW	BPW36	40
1600-881 L	CONTITECH	881 MB			40
1600-881 L	FIRESTONE	1T66F-10.8			40
1600-887 L	FIRESTONE	W01-M58-0780	DAF	513983	40
1600-887 L	CONTITECH	887 M			40

ARBENT REFERENCE	CROSS NAME	CROSS REFERENCE	OEM NAME	OEM REFERENCE	PAGE NO
1600-887 L	FIRESTONE	1T15LNR-3			40
1600-901 L1	CONTITECH	901 MB**SA			41
1600-902 L	CONTITECH	902 MB**SA			41
1600-909 A	CONTITECH	909NT	NEOPLAN	102100500	41
1600-909 A	FIRESTONE	1T15L-6	NEOPLAN	102121500	41
1600-909 A			MAN	81436010050	41
1600-909 A			MAN	81436010054	41
1600-909 A			MAN	81436010073	41
1600-909 A			MAN	81436016029	41
1600-909 AL	FIRESTONE	W01-M58-0687	MAN	81436016023	41
1600-909 AL	CONTITECH	909NTB			41
1600-909 AL	FIRESTONE	1T15L-6			41
1600-912 L	FIRESTONE	W01-M58-8766**SA			42
1600-912 L1	CONTITECH	912 N P01**SA			42
1600-912 L2	CONTITECH	912 N P02**SA			42
1600-940L	FIRESTONE	W01-M58-8613	BPW	05.429.40.91.0	42
1600-940L	CONTITECH	940 MB	BPW	BPW30K	42
1600-940L	FIRESTONE	1T17D-4.3	BPW	BPW 05.42940.091	42
1600-940L	GOODYEAR	1R11-703			42
1600-941 L	FIRESTONE	W01-M58-8620	BPW	05.429.40.03.0	43
1600-941 L	CONTITECH	941 MB	BPW	BPW30	43
1600-941 L	FIRESTONE	1T17D-8.3			43
1600-941 L	GOODYEAR	1R11-700			43
1600-941 L2	GOODYEAR	1R11-702**SA			43
1600-942 L	FIRESTONE	W01-M58-8611	BPW	05.429.40.05.0	43
1600-942 L	CONTITECH	942 MB	BPW	BPW36-1	43
1600-942 L	FIRESTONE	1T66D-13.5			43
1600-942 L	GOODYEAR	1R14-700			43
11600-951 L	FIRESTONE	W01-M58-8621	BPW	05.429.40.72.0	43
11600-951 L	CONTITECH	951 MB	BPW	BPW30-1	43
11600-951 L	FIRESTONE	1T17D-11.8			43
11600-951 L	GOODYEAR	1R11-704			43
1600-0195 L	CONTITECH	0195 N P01**SA	SCANIA	1510195	44
1600-0283 L1	VIBRACOUSTIC	V1 DK 28 F			44
1600-1209 L	FIRESTONE	W01-M58-6289**SA			44
1600-1304 L	GOODYEAR	1R13-732**SA	ZORZI	1006552	44
1600-1304 L			SMB	M001464	44
1600-1304 L			FRUEHAUF	UJB0129-001	44
1600-1305 L			KAISER	F01004307**SA	46
1600-1306 L10	CF GOMMA	1T323-40/96864			46
1600-1314 L			FRUEHAUF	M060770**SA	46
1600-1318 L	FIRESTONE	W01-M58-6361**SA			46
1600-1324 L	FIRESTONE	W01-M58-8988	KASSBOHRER	4731043000	46
1600-1324 L	VIBRACOUSTIC	V1 DK 32 E-4			46
1600-1324 L	GOODYEAR	1R14-809			46
1600-1709 L	GOODYEAR	1R13-709			46
1600-1840 L	FIRESTONE	W01-M58-8762**SA	ZORZI	1006552	46
1600-1850 L	FIRESTONE	1T19L-14	SMB	M001464	46
1600-1850 L			FRUEHAUF	UJB0129-00	46
1600-1850 L	CONTITECH	1850 N P01**SA			46
1600-1857 L	GOODYEAR	1R11-857**SA	VOLVO	20909150**SA	47
1600-1857 L			VOLVO	21321521**SA	47
1600-1889 L	CONTITECH	1889 N P02**SA			47
1600-2473 L	GOODYEAR	1R12-473**SA	MITSUBISHI	MK316885	47
1600-2616 L					47
1600-2618 L	FIRESTONE	1T17BS-6			48
1600-2619 L					48
1600-2621 L			SAF	3.229.0038.00**SA	48
1600-2626 L			SAF	3.229.0039.00 ; 2626V	48
1600-2725 L					49
1600-2807 L	GOODYEAR	1R12-807**SA			49
1600-2825 L	GOODYEAR	1R12-825**SA			49
1600-2919 L			SPECIAL PRODUCT		49
1600-2922 L	VIBRACOUSTIC	V1D28A-16**SA			50

ARBENT REFERENCE	CROSS NAME	CROSS REFERENCE	OEM NAME	OEM REFERENCE	PAGE NO
1600-3010 L	GOODYEAR	1R12-826	VOLVO	20703452	50
1600-3010 L			VOLVO	21013010	50
1600-3010 L			VOLVO	21044268	50
1600-3010 L			VOLVO	21057939	50
1600-3010 L			VOLVO	21513836	50
1600-3138 L	VIBRACOUSTIC	V1DK33-3138	SAF HOLLAND	4.284.3004.00	50
1600-3138 L	CONTITECH	3138 N P01			50
1600-3608 L	CONTITECH	6700 N P02**SA			50
1600-3608 L	CONTITECH	3608 N P01**SA			50
1600-3691 L	CONTITECH	6700 N P01**SA			51
1600-3691 L	CONTITECH	3691 N P01**SA			51
1600-3724 L	GOODYEAR	1R13-724**SA			51
1600-3726 L	GOODYEAR	1R13-726**SA			51
1600-3728 L	GOODYEAR	1R13-728**SA			51
1600-4004 L2	FIRESTONE	W01-M58-0919	SAF	3.229.007.02	52
1600-4004 L2	FIRESTONE	1T17BS-6	SAF	4.284.3003.01	52
1600-4004 L2	GOODYEAR	1R11-705			52
1600-4004 L6	FIRESTONE	W01-M58-0919	SAF	4.284.3003.01	52
1600-4004 L6	CONTITECH	4004 N P02			52
1600-4004 L6	FIRESTONE	1T17BS-6			52
1600-4004 L6	GOODYEAR	1R11-705			52
1600-4007 L	CONTITECH	4007 N P01	GIGANT	3042	52
1600-4007 L			GIGANT	166271	52
1600-4007 L			GIGANT	247104	52
1600-4007 L2			GIGANT	3042**SA	52
1600-4008 L1	CONTITECH	4008 N P01**SA			53
1600-4022 L1	FIRESTONE	1T17BS-6			53
1600-4022 L2	CONTITECH	4022 N P02**SA			53
1600-4022 L6	FIRESTONE	W01-M58-0756	SAF HOLLAND	4.284.3006.00	53
1600-4022 L6	CONTITECH	4022 N P02			53
1600-4022 L6	FIRESTONE	1T17BS-6			53
1600-4022 L6	GOODYEAR	1R11-709			53
1600-4023 L3	CONTITECH	4023 N P06	SAF	3.229.031.00	54
1600-4023 L3	CONTITECH	4023 N P03**SA			54
1600-4023 L3	CONTITECH	4023 N P02			54
1600-4028 L	CONTITECH	4028 N P02**SA	WEWELER	US04028	54
1600-4028 L2	FIRESTONE	1T19L-12			54
1600-4028 L5	CONTITECH	4028 N P05**SA			54
1600-4150 AL	CONTITECH	4150 N P01			55
1600-4154 L	FIRESTONE	1T15M-4			55
1600-4154 L1	FIRESTONE	1T15M-4			55
1600-4154 L6	FIRESTONE	W01-M58-7283**SA			55
1600-4154 L6	FIRESTONE	1T15M-4			55
1600-4156 L2	CONTITECH	4156 N P07**SA			56
1600-4156 L3	FIRESTONE	W01-358-0734			56
1600-4156 L3	FIRESTONE	1T15M-6			56
1600-4156 L5	CONTITECH	4156 NP05			56
1600-4156 L6	FIRESTONE	1T15M-6			56
1600-4156 L7			SPECIAL PRODUCT		57
1600-4156 L16	CONTITECH	4156 N P16			57
1600-4156 AL	CONTITECH	4156 N P12			57
1600-4157 L2	FIRESTONE	W01-M58-6315**SA	SMB	M060924	57
1600-4157 L2	CONTITECH	4157 N P10**SA	FRUEHAUF	UJB0975	57
1600-4157 L2			ACERBI	441901	57
1600-4157 L4	CONTITECH	4157 N P04**SA			58
1600-4157 L5	CONTITECH	4157 N P05**SA			58
1600-4157 L5	CONTITECH	4157 N P02			58
1600-4157 L6	FIRESTONE	W01-M58-8194			58
1600-4157 L6	CONTITECH	4157 N P06**SA			58
1600-4158 L2	FIRESTONE	W01-M58-6257	WEWELER	US06285	58
1600-4158 L2	CONTITECH	4158 N P02	SCHMITZ-ANHANGER	750999	58
1600-4158 L2	FIRESTONE	1T15MPW-9			58
1600-4158 L10			SPECIAL PRODUCT		59
1600-4159 L3			NEWAY	M00557007	59

ARBENT REFERENCE	CROSS NAME	CROSS REFERENCE	OEM NAME	OEM REFERENCE	PAGE NO
1600-4159 L5	FIRESTONE	W01-M58-0736			59
1600-4159 L5	CONTITECH	4159 N P05			59
1600-4159 L5	FIRESTONE	1T15M-9			59
1600-4159 L5	GOODYEAR	1R12-761			59
1600-4159 L12	FIRESTONE	W01-M58-71600-8**SA			59
1600-4183 L	CONTITECH	4183 N3			60
1600-4183 L	CONTITECH	4183 N2			60
1600-4183 L2	CONTITECH	4183 N4			60
1600-4183 L2	CONTITECH	4183 N1			60
1600-4183 L23	CONTITECH	4183 NP23**SA			60
1600-4183 L24	CONTITECH	4183 NP24**SA			60
1600-4185 L	CONTITECH	4185 N	MERCEDES-BENZ	A9743280201	61
1600-4186 L1	CONTITECH	4186 N P01 (Voss230)	DAIMLER CHRYSLER	A 942 320 16 21	61
1600-4186 L2	CONTITECH	4186 N P02 (Voss230)	DAIMLER CHRYSLER	A 942 320 17 21	61
1600-4186 L3	CONTITECH	4186 N P23**SA (Voss232)	DAIMLER CHRYSLER	A 942 320 24 21	61
1600-4186 L3	CONTITECH	4186 N P21**SA (Voss232)	DAIMLER CHRYSLER	A 942 320 70 21	61
1600-4186 L4	CONTITECH	4186 N P24 (Voss232)	DAIMLER CHRYSLER	A 942 320 25 21	62
1600-4186 L4	CONTITECH	4186 N P22 (Voss232)	DAIMLER CHRYSLER	A 942 320 71 21	62
1600-4187 L	CONTITECH	4187 N P01 (Voss230)	DAIMLER CHRYSLER	A 942 320 18 21	62
1600-4187 L1	CONTITECH	4187 N P23 (Voss232)	DAIMLER CHRYSLER	A 942 320 26 21	62
1600-4187 L1	CONTITECH	4187 N P21 (Voss232)	DAIMLER CHRYSLER	A 942 320 72 21	62
1600-4187 L2	CONTITECH	4187 N P24 (Voss232)	DAIMLER CHRYSLER	A 942 320 27 21	62
1600-4187 L2	CONTITECH	4187 N P22 (Voss232)	DAIMLER CHRYSLER	A 942 320 73 21	62
1600-4187 L3	CONTITECH	4187 N P02**SA (Voss230)	DAIMLER CHRYSLER	A 942 320 19 21	63
1600-4390 L1	CONTITECH	4390 N1	MERCEDES-BENZ	A9423280001	63
1600-4390 L1	GOODYEAR	9507			63
1600-4390 L2	CONTITECH	4390 N2	MERCEDES-BENZ	A9423280101	63
1600-4390 L2	GOODYEAR	9508	MERCEDES-BENZ	942 328 05 01	63
1600-4390 L10	FIRESTONE	W01-M58-8514**SA	MERCEDES-BENZ	A9423202821**SA	63
1600-4390 L10	CONTITECH	4390 N P21	MERCEDES-BENZ	A9423204921**SA	63
1600-4390 L20	CONTITECH	4390 N P22 **SA (Voss232)	MERCEDES-BENZ	A9423202921	64
1600-4390 L20			MERCEDES-BENZ	A9423205021	64
1600-4391 L1	CONTITECH	4391 N1	MERCEDES-BENZ	A9423280601	64
1600-4391 L2	CONTITECH	4392 N2	MERCEDES-BENZ	A9423280701	64
1600-4391 L21	CONTITECH	4391 N P21**SA			64
1600-4391 L22	CONTITECH	4391 N P22**SA			65
1600-4420 L	CONTITECH	4420 N P01**SA			65
1600-4560 L	CONTITECH	4560 N P02**SA			65
1600-4570 L	CONTITECH	4570 N P02**SA			65
1600-4570 L3	CONTITECH	4570 NP03**SA			66
1600-4644 L	CONTITECH	4644 N	EVO-BUS	A6293270001	66
1600-4705 L	CONTITECH	4705 N1 P01	MAN	81436010155	66
1600-4705 L	GOODYEAR	1R12-831			66
1600-4713 L2	CONTITECH	4713 N P04	VOLVO	1 076 595	66
1600-4713 L2	GOODYEAR	1R12-763			66
1600-4718 L1	CONTITECH	4718 N P02	VOLVO	1079718	67
1600-4718 L1				101075363	67
1600-4725 L			GIGANT	247103	67
1600-4737 L1	CONTITECH	4737 N			67
1600-4753 L			VOLVO	20554753**SA	67
1600-4757 L1	CONTITECH	4757 N1	MERCEDES-BENZ	A9423270001	68
1600-4757 L2	CONTITECH	4757 N2	MERCEDES-BENZ	A9743280001	68
1600-4758 L	CONTITECH	4758 N P01**SA			68
1600-4759 L	CONTITECH	4759 N	MERCEDES-BENZ	A9423270401	68
1600-4759 L10	CONTITECH	4759 N P21 (Voss232)**SA	MERCEDES-BENZ	A9423204421	69
1600-4786 L	CONTITECH	4786 N P21**SA (VOSS 232)			69
1600-4786 L1	CONTITECH	4786 N P01**SA (VOSS 230)			69
1600-4786 L2	CONTITECH	4786 N P02**SA			69
1600-4810 L5	CONTITECH	4810 N P05**SA			70
1600-4810 AL	CONTITECH	4810NTB	PEGASO	174933	70
1600-4810 AL			MAN		70
1600-4810 AL			81436010042		70
1600-4810 AL			81436010047		70
1600-4810 AL			81436016019		70

ARBENT REFERENCE	CROSS NAME	CROSS REFERENCE	OEM NAME	OEM REFERENCE	PAGE NO
1600-48130L7	CONTITECH	4813 N P07**SA			70
1600-4813 AL					70
1600-4815 L	GOODYEAR	1R14-815**SA	SAF	2923VK 3.229.0028.00 Intra	71
1600-4815 L				2924V 3.229.0041.00	71
1600-4815 L2			SAF	2924 V	71
1600-4815 L2				3.229.0041.00	71
1600-4838 L1	CONTITECH	4838 N	MERCEDES-BENZ	A9463280001	71
1600-4838 L1				A9463280021	71
1600-4851 L	GOODYEAR	1R14-851	TRIDEC	311208	71
1600-4862 L	CONTITECH	4862 N1 P01	MAN	81436010168	72
1600-4881 L2	FIRESTONE	W01-M58-8601			72
1600-4881 L2	CONTITECH	4881 N P02	BPW	05.429.41.01.0	72
1600-4881 L2	FIRESTONE	1T66D-70		BPW36K	72
1600-4881 L2	GOODYEAR	1R14-701			72
1600-4882 L	CONTITECH	4882 N1 P01	MAN	81436010151	72
1600-4882 L	GOODYEAR	1R10-702			72
1600-4883 L1	CONTITECH	4883 N1 P01	MAN	81436010153	72
1600-4884 L1	CONTITECH	4884 N1 P01	MAN	81436010152	73
1600-4884 L1	GOODYEAR	1R11-820		81436010174	73
1600-4884 L2	CONTITECH	4884 N1 P02	MAN	81436010173	73
1600-4884 L3	CONTITECH	4884 N1 P03	MAN	8543601000	73
1600-4885 L	CONTITECH	4885 N1 P01	MAN	81436010160	73
1600-4885 L				81436016071	73
1600-4886 L	CONTITECH	4886 N P02	MAN	81436010165	74
1600-4887 L10	FIRESTONE	W01-M58-8681**SA			74
1600-4911 L3	CONTITECH	4911 N P02			74
1600-4911 L4	CONTITECH	4911 N P04**SA			74
1600-4911 L6	CONTITECH	4911 N P06**SA			75
1600-4912 L8	CONTITECH	4912 N P08	RENAULT V.I	5001832067	75
1600-4912 L8	GOODYEAR	1R13-713			75
1600-4912 L10	CONTITECH	4912 N P10**SA			75
1600-4912 L13	CONTITECH	4912 N P13**SA			75
1600-4913 L2	CONTITECH	4913 N P04	SCANIA	1379393	76
1600-4913 L2	GOODYEAR	1R14-755			76
1600-4915 L3	CONTITECH	4915 N P03	RENAULT V.I	5001855856	76
1600-4916 L	CONTITECH	4916 N1 P01	MAN	81436010158	76
1600-4919 L	CONTITECH	4919 N			76
1600-4922 L	CONTITECH	4922 N			77
1600-4925 L					77
1600-4929 L	CONTITECH	4929 N P01 RT**SA			77
1600-4930 L	FIRESTONE	W01-M58-8653**SA			77
1600-4933 L			SCANIA	1434933	78
1600-4940 L2	CONTITECH	4940 N P02	BPW	05.429.41.56.0	78
1600-4940 L2				BPW30K	78
1600-4941 L2	CONTITECH	4941 N P02	BPW	05.429.41.25.0	78
1600-4941 L2				BPW30	78
1600-4942 L2	CONTITECH	4942 N P02	BPW	05.429.41.09.0	78
1600-4942 L2				BPW36-2	78
1600-4960 L2	CONTITECH	4960 N P02	BPW	05.429.41.77.0	79
1600-4960 L2	GOODYEAR	1R11-801		BPW30K	79
1600-4961 L2	CONTITECH	4961 N P02	BPW	05.429.42.04.0	79
1600-4961 L2	GOODYEAR	1R11-800		BPW30K	79
1600-4962 L2	CONTITECH	4962 N P02	BPW	05.429.42.03.0	79
1600-4962 L2				BPW30	79
1600-4963 L	CONTITECH	4963 N P01	BPW	05.429.42.54.0	79
1600-6122 L1	CONTITECH	6122 N P46**SA			80
1600-6122 L2	CONTITECH	6122 N P47**SA			80
1600-6123 L	CONTITECH	6123 N P40**SA			80
1600-6198 L			SCANIA	1362143**SA	80
1600-6198 L				1386198**SA	80
1600-6199 L			SCANIA	1386199	81
1600-6200 L			SCANIA	1386200	81
1600-6237 L	GOODYEAR	1R13-750**SA			81
1600-6243 L	GOODYEAR	566-22-3-546	SCANIA	1726243	81

ARBENT REFERENCE	CROSS NAME	CROSS REFERENCE	OEM NAME	OEM REFERENCE	PAGE NO
1600-6243 L		1R11-838			81
1600-6247 L			VOLVO	20 352 247**SA	82
1600-6247 L				20 386 228**SA	82
1600-6251 L	FIRESTONE	W01-M58-6251**SA			82
1600-6251 L		1T15AA-3			82
1600-6260 L	FIRESTONE	W01-M58-6260**SA	HENDRICKSON	59053-2F	82
1600-6318 L	FIRESTONE	W01-968-6318**SA			82
1600-6318 L	GOODYEAR	1R12-840			82
1600-6416 L	CONTITECH	6608 N P01**SA			83
1600-6416 L2			SPECIAL PRODUCT		83
1600-6418 L	CONTITECH	6607 N P01**SA			83
1600-6420 L	CONTITECH	6600 N P02**SA			83
1600-6602 L	CONTITECH	6602 N P01**SA			84
1600-6603 L	CONTITECH	6603 N P01**SA			84
1600-6604 L	CONTITECH	6604 N P01**SA			84
1600-6609 L	CONTITECH	6609 N P01**SA			84
1600-6752 L			VOLVO	20554752**SA	85
1600-6762 L	CONTITECH	6612 N P01**SA			85
1600-6762 L	CONTITECH	6613 N P01**SA			85
1600-6768 L	CONTITECH	54768 M**SA			85
1600-6770 L	CONTITECH	54770 M**SA			86
1600-6771 L	CONTITECH	54771 M**SA			86
1600-6884 L	FIRESTONE	W01-M58-8772**SA			86
1600-7003 L			MERCEDES-BENZ	2007-2013	86
1600-7074 L	FIRESTONE	W01-M58-7074**SA			87
1600-7313 L	FIRESTONE	W01-M58-7313**SA			87
1600-7313 L		1T15AA-6			87
1600-7315 L	FIRESTONE	W01-M58-7315**SA			87
1600-7315 L		1T15S-11			87
1600-7367 L	FIRESTONE	W01-M58-7367**SA	SCANIA BUS	463100**SA	87
1600-7803 L	CONTITECH	6605 N P01**SA			88
1600-7804 L	CONTITECH	6606 N P01**SA			88
1600-7923 L	VIBRACOUSTIC	V1DK27b-2**SA			88
1600-7947 L			VOLVO	20737943	89
1600-7947 L				20737947	89
1600-8070 L	VIBRACOUSTIC	V1DK19-1**SA			89
1600-8071 L	VIBRACOUSTIC	V1DK23F-1**SA			89
1600-8107 L	FIRESTONE	W01-M58-8107**SA			89
1600-8107 L2	GOODYEAR	1R14-784**SA			90
1600-8107 L3	GOODYEAR	1R14-864	SCHMITZ	017 686	90
1600-8185 L	FIRESTONE	W01-M58-8185**SA			90
1600-8185 L	FIRESTONE	1T15MPW-9			90
1600-8185 L	GOODYEAR	1R12-748			90
1600-8186 L	FIRESTONE	W01-968-8186**SA			90
1600-8186 L		1T15MPW-7			90
1600-8263 L	GOODYEAR	1R11-847**SA			91
1600-8608 L	FIRESTONE	W01-M58-8608	MERITOR	21229214	91
1600-9221 L			ISUZU TURKUAZ	3870009221	91
1600-9910 L	FIRESTONE	W01-M58-9910			92
1600-27023 L			IVECO STRALIS	42559765 (FRONT-RIGHT)	92
1600-27023 L1			IVECO STRALIS	42559766 (FRONT-LEFT)	92
1600-27023 L2			IVECO STRALIS	42559767 (REAR-LEFT)	93
1600-27023 L3			IVECO STRALIS	42559768 (REAR-RIGHT)	93
1600-28030 L	CF GOMMA	1 T 280-30**SA			93
1600-28040 L1	CF GOMMA	1 T 280-40**SA			93
1600-34506 L			SCANIA	1434506	94
1600-34506 L				488264	94
1600-34506 L				473868	94
1600-39780 L			VOLVO	1 629 780**SA	94
1600-39780 L				20 554 763**SA	94
1600-40301 L	FIRESTONE	1T15VR-3			94
1600-40301 L		W01-S15-8192**SA			94
1600-40301 L5			SPECIAL PRODUCT		94
1600-40302 L	FIRESTONE	1T15VPR-3			95

ARBENT REFERENCE	CROSS NAME	CROSS REFERENCE	OEM NAME	OEM REFERENCE	PAGE NO
1600-40302 L1	GOODYEAR	1R12-813**SA	SCANIA	1726238	95
1600-40303 L	GOODYEAR	1R11-833**SA			95
1600-40303 L1	GOODYEAR	1R11-837**SA			95
1600-40304 L	GOODYEAR	1R11-829**SA			96
1600-40304 L1	GOODYEAR	1R11-834**SA			96
1600-40305 L	GOODYEAR	1R11-830**SA			96
1600-40305 L1	GOODYEAR	1R11-839**SA			96
1600-40306 L	GOODYEAR	1R11-831**SA			97
1600-40307 L	GOODYEAR	1R11-845**SA			97
1600-40307 L1	GOODYEAR	1R11-841**SA			97
1600-50631 L	VIBRACOUSTIC	1DF25A-1**S	SOLARIS	1001 101 060 Urbino	97
1600-50631 L				1070 002 000 Urbino	97
1600-50631 L				P-1001 101 060 Urbino	97
1600-50631 L				P-1070 002 000 Urbino	97
1600-88050 L			SPECIAL PRODUCT		98
1600-112 T	VIBRACOUSTIC	V1G12	ISUZU MD27	388885000000	100
1600-113-150 T	FIRESTONE	W01-M58-8747	SAMRO	2500915	100
1600-113-150 T	FIRESTONE	1T17B-11	HENDRICKSON	HS251087	100
1600-113-150 T	GOODYEAR	1R13-150	DISCOS	A9463280401	100
1600-644 T1			BMC	53RS900072	100
1600-644 T2			BMC	53RS900069	100
1600-644 T3			BMC	53RS900083	101
1600-644 T5	CONTITECH	644 N P04	AUTOSAN	1029-900-970	101
1600-661 T	CONTITECH	661 N P01	IRIS BUS	5010073846	101
1600-661 T			AYATS	31001569	101
1600-661 T1			BMC	53RS900142	101
1600-661 T2			BMC	53RS900056	102
1600-661 T3	CONTITECH	661 N P02			102
1600-661 T5	CONTITECH	661 N P05			102
1600-661 T6			OTOKAR	16N00-03650-AB	102
1600-701 T	CONTITECH	701 N**CA			103
1600-724 T	CONTITECH	724 N P02	GIGANT	166225	103
1600-724 T				166292	103
1600-725 T2	FIRESTONE	W01-M58-8969	GIGANT	166217	103
1600-725 T2	CONTITECH	725 N P02			103
1600-725 T2	FIRESTONE	1T66E-10.8			103
1600-725 T2	GOODYEAR	1R14-747			103
1600-725 T3	FIRESTONE	W01-M58-8610	GIGANT	166252	103
1600-725 T3	CONTITECH	725 N P03			104
1600-725 T3	FIRESTONE	1T66D-10.8			104
1600-725 T3	GOODYEAR	1R14-756			104
1600-725 T5					104
1600-768 T	CONTITECH	768 MB	RENAULT	5000869135	104
1600-768 T			IRIS BUS	5000786516	104
1600-769 T	CONTITECH	769 MB	RENAULT V.I	5000805999	104
1600-769 T			IRIS BUS	5000786640	104
1600-769 T2	VIBRACOUSTIC	V1E18-05			104
1600-782 T	VIBRACOUSTIC	V1E21-23	ZF SACHS	0501 210 851	105
1600-782 T	CONTITECH	782 MB-3	TEMSA	2686-082-000Y	105
1600-782 T			JONCKHEERE	26.1602033.00	105
1600-782 T			IRIS BUS	5010190888	105
1600-792 PTA	FIRESTONE	W01-M58-8678	DAF	1 448 543	105
1600-792 PTA	CONTITECH	792 N P01		1 698 436	105
1600-792 PT2	CONTITECH	792 N P02	DAF	1 793 526	105
1600-810 T	FIRESTONE	W01-M58-6345	WEWELER	US00622/ US07337	105
1600-810 T	VIBRACOUSTIC	V1D28A-2		US87413	105
1600-810 T	CONTITECH	810 MB	VOLVO	1080707	105
1600-810 T	FIRESTONE	1T19L-7	TRAILOR	6504646G	105
1600-810 T	GOODYEAR	1R14-716	T.E.C	506243/01	105
1600-810 T	GOODYEAR	1R14-059	SAMRO	2500008	105
1600-810 T			SAF	2.228.0002.00	105
1600-810 T				2.228.2102.00	105
1600-810 T				2.228.2202.00	105
1600-810 T				2.228.2402.00	105

ARBENT REFERENCE	CROSS NAME	CROSS REFERENCE	OEM NAME	OEM REFERENCE	PAGE NO
1600-810T				2.228.2602.00	105
1600-810T			RENAULT V.I	5000452939	105
1600-810T			R.O.R/MERITOR	21208082	105
1600-810T			HENDRICKSON	785168	105
1600-810T				B2065	105
1600-810T				Y506201	105
1600-810T				Y506243	105
1600-810T			GRANNING	15635	105
1600-810T			BERTOJA	45402002	105
1600-810T			ACERBI	21215632	105
1600-810T1	FIRESTONE	W01-M58-6225	WEWELER	US 07337.ST2	106
1600-810T1	GOODYEAR	1R14-783	SCHMITZ	16010	106
1600-810T2	VIBRACOUSTIC	V1DK28A-13	WEWELER	US 07337R	106
1600-810T2	GOODYEAR	1R14-825	DAIMLER TAS	A 946 328 19 01	106
1600-810T3			DAF	1384273	106
1600-810T3			BPW	0.41.04.005.0	106
1600-810T4	FIRESTONE	1T19L-7			107
1600-810T14	FIRESTONE	1T19L-7			107
1600-810T15	FIRESTONE	W01-M58-7335	MERITOR	17204516	107
1600-810T15	CONTITECH	810 MB 02		21208327	107
1600-810T15	GOODYEAR	1R14-831			107
1600-810T15	GOODYEAR	1R14-082			107
1600-811 T	CONTITECH	811 MB	RENAULT V.I	5000745918	108
1600-811 T	GOODYEAR	1R14-718	DAF	1384274	108
1600-811 T1	FIRESTONE	1T19L-11			108
1600-811 T2	FIRESTONE	1T19L-11	BATTAGUNO	22111400	108
1600-811 T6	FIRESTONE	1T19L-11			108
1600-811 T16	FIRESTONE	W01-M58-6334	DAF	0 526 823	109
1600-811 T16	CONTITECH	811 M16K1			109
1600-811 T16	FIRESTONE	1T19L-11			109
1600-811 T16	GOODYEAR	1R14-719			109
1600-811 T17	FIRESTONE	1T19L-11			109
1600-813 T	FIRESTONE	W01-M58-6364	WEWELER	US07345 / US87408	109
1600-813 T	FIRESTONE	W01-M58-6339	VIBERTI	644285 / 128147122	109
1600-813 T	FIRESTONE	W01-M58-7345	TROUILLET	ST225-675	109
1600-813 T	VIBRACOUSTIC	V1D28B-2	TRAILOR	65023482 / 0036158E	109
1600-813 T	CONTITECH	813MB		65022347Y	109
1600-813 T	FIRESTONE	1T19L-11	TITAN	91687700000	109
1600-813 T	GOODYEAR	1R14-705	TERBERG	21071483	109
1600-813 T	GOODYEAR	1R14-061	SAMRO	2500009	109
1600-813 T			SAF	2.229.0003.00	109
1600-813 T				2.229.2103.00	109
1600-813 T				2.229.2403.00	109
1600-813 T				2.229.2603.00	109
1600-813 T				8403/102	109
1600-813 T			RENAULT V.I.	5000790692 / 5010130925	109
1600-813 T			PEGASO	175005	109
1600-813 T			NEWAY	21215633	109
1600-813 T			MAZ	54327	109
1600-813 T				543268-02	109
1600-813 T				544008	109
1600-813 T				544020-030	109
1600-813 PT	FIRESTONE	W01-M58-6364**CPL	WEWELER	US07345 / US87408	109
1600-813 PT	CONTITECH	813 MB**CPL	VIBERTI	644285 / 128147122	109
1600-813 PT	FIRESTONE	1T19L-11	TRAILOR	65023482 / 0036158E	109
1600-813 PT				65022347Y	109
1600-813 PT			TITAN	91687700000	109
1600-813 PT			TERBERG	21071483	109
1600-813 PT			SAMRO	2500009	109
1600-813 PT			SAF	2.229.0003.00	109
1600-813 PT				2.229.2103.00	109
1600-813 PT				2.229.2403.00	109
1600-813 PT				2.229.2603.00	109
1600-813 PT				8403/102	109

ARBENT REFERENCE	CROSS NAME	CROSS REFERENCE	OEM NAME	OEM REFERENCE	PAGE NO
1600-813 PT			RENAULT V.I	5000790692 / 5010130925	109
1600-813 PT			PEGASO	175005	109
1600-813 PT			NEWAY	21215633	109
1600-813 PT			HENDRICKSON	785170	109
1600-813 PT				505859/01	109
1600-813 PT				B2063	109
1600-813 PT				G505859	109
1600-813 PT				Y505859/01	109
1600-813 T1	FIRESTONE	1T19L-11			110
1600-813 T6	FIRESTONE	1T19L-11			110
1600-813 T8	FIRESTONE	W01-M58-7502			110
1600-813 T8	VIBRACOUSTIC	V1D28B-4			110
1600-813 T8	FIRESTONE	1T19L-11			110
1600-813 T8	GOODYEAR	1R14-709			110
1600-813 PT8	FIRESTONE	W01-M58-7502**CPL			110
1600-813 PT8	VIBRACOUSTIC	V1D28B-4**CPL			110
1600-813 PT8	FIRESTONE	1T19L-11			110
1600-813 PT8	GOODYEAR	1R14-709**CPL			110
1600-813 T10	FIRESTONE	W0A-095-0320			111
1600-813 T10	GOODYEAR	8550			111
1600-819 T	CONTITECH	819 N P01	MERCEDES-BENZ	A 667 328 00 01	111
1600-819 T1	CONTITECH	819 MB	TEMSA	TM260133Y	111
1600-819 T1			MERCEDES-BENZ	A 667 328 01 01	111
1600-836 T1	FIRESTONE	W01-M58-8722	DAF	388165	112
1600-836 T1	VIBRACOUSTIC	V1DF25-11		1697678	112
1600-836 T1	CONTITECH	836 MK1			112
1600-836 T1	FIRESTONE	1T17AR-4.5			112
1600-836 T1	GOODYEAR	1R12-712			112
1600-836 PT1	CONTITECH	836 MK1**CPL			112
1600-836 T2	FIRESTONE	W01-M58-8721	DAF	388167	112
1600-836 T2	CONTITECH	836 M2K1			112
1600-836 T2	FIRESTONE	1T17AR-4.5			112
1600-836 T2	GOODYEAR	1R12-711			112
1600-836 PT2	CONTITECH	836 M2K1**CPL			112
1600-836 T4	FIRESTONE	DAF	377498		113
1600-836 T4	VIBRACOUSTIC				113
1600-836 T4	CONTITECH				113
1600-836 T4	FIRESTONE				113
1600-836 T5	CONTITECH	836 N P05	VDL BUS	1153933	113
1600-836 T6	FIRESTONE	W01-M58-8701	DAF		113
1600-836 T6	CONTITECH	836 MBK6			113
1600-836 T6	FIRESTONE	1T17AR-4.5			113
1600-836 T6	GOODYEAR	1R12-768		526651	113
1600-836 T7	FIRESTONE	W01 M58 8715	DAF	297721	113
1600-836 T7	VIBRACOUSTIC	V1DF25-12			113
1600-836 T7	CONTITECH	836 MK 7			113
1600-836 T7	FIRESTONE	1T17AR-4.5			113
1600-836 T7	GOODYEAR	1R12-723			113
1600-836 T8	CONTITECH	836 N P06	VDL BUS	1153934	114
1600-836 T10			BMC	53RS900061	114
1600-836 T11			SPECIAL PRODUCT		114
1600-836 T12	FIRESTONE	W01 M58 8703	DAF	83656 / 1 697 687	114
1600-836 T12	CONTITECH	836 M2 K8			114
1600-836-T14	CONTITECH	836 N P10	DAF	1 794 420	115
1600-836-T15	CONTITECH	836 N P14	VDL BUS	45015337	115
1600-836 T16	CONTITECH	836 N P09	DAF	1697683	115
1600-876 T			RENAULT V.I	5000640399	115
1600-876 T				5000738516	115
1600-876 T				5010073847	115
1600-881 T	FIRESTONE	W01-M58-8966	BPW	05.429.40.14.1	116
1600-881 T	CONTITECH	881 MB**CA		BPW36	116
1600-881 T				05.429.40.61.1	116
1600-881 PT	FIRESTONE	W01 M58 8667	BPW	05.429.40.14.1	116
1600-881 PT		(Opposite Position)		BPW36	116

ARBENT REFERENCE	CROSS NAME	CROSS REFERENCE	OEM NAME	OEM REFERENCE	PAGE NO
1600-881 PT	CONTITECH	881 MB**CPL		05.429.43.51.0	116
1600-887 T1	VIBRACOUSTIC	V 1 DF 18-3	DAF	1141525	116
1600-887 T1	CONTITECH	887 MBK6			116
1600-887 T3	CONTITECH	887 N P03	VDL BUS	1153935	117
1600-887 T4	CONTITECH	887 N P04	VDL BUS	1154761	117
1600-887 T4	GOODYEAR	1R11-797			117
1600-887 T6	FIRESTONE	W01-M58-8683	DAF	392022	117
1600-887 T6	CONTITECH	887 MK1		1697684	117
1600-887 T6	FIRESTONE	1T15LNR-3			117
1600-887 T6	GOODYEAR	1R11-798			117
1600-887 T7	FIRESTONE	W01-M58-8682	DAF	1 266 382	117
1600-887 T7	CONTITECH	887 M K3		1 697 682	117
1600-887 T8	FIRESTONE	W01-M58-8681	DAF	1 286 251	118
1600-887 T8	CONTITECH	887 M K4		1 697 680 CF 65	118
1600-887 T8				1 697 680 CF 75-85	118
1600-887 T8				1 697 680 LF 45-55	118
1600-887 T9	CONTITECH	887 N P09	DAF	1 794 425	118
1600-887 T10	CONTITECH	887 N P06	DAF	1 794 428	118
1600-901 T1	CONTITECH	901 MB	RENAULT V.I	5010052722	118
1600-901 T1				5010130683	118
1600-901 T1				5010151698	118
1600-902-T	CONTITECH	902 MB	RENAULT V.I	5010211724	119
1600-902 T1			SPECIAL PRODUCT		119
1600-912 T	FIRESTONE	W01-M58-8766	WEWELER	US96881F	119
1600-912 T		W01-M58-7385	SAF	3.229.0005.01	119
1600-912 T		1T19L-14		3.229.0013.00	119
1600-912 T				3.229.0006.01	119
1600-912 T			R.O.R/MERITOR	21222673	119
1600-912 T			HENDRICKSON	Y507782	119
1600-912 T1	FIRESTONE	W01-M58-8502			119
1600-912 T1	CONTITECH	912 N P01			119
1600-912 T1	FIRESTONE	1T19L-14			119
1600-912 T2	CONTITECH	912 N P02	WEWELER	US96681F	120
1600-912 T2	GOODYEAR	1R14-758	SAF	3.229.0013.00	120
1600-912 T2			R.O.R/MERITOR	21222673	120
1600-912 T2			HENDRICKSON	Y507782	120
1600-916 T	CONTITECH	916 N1**CA			120
1600-921 T	CONTITECH	921 MB			120
1600-921 T1			BMC	53RS900144	120
1600-921 T2			BMC	53RS900131	121
1600-921 T3	VIBRACOUSTIC	V1 E 17-03			121
1600-936 T	CONTITECH	936 MB	IRIS BUS	5000787901	121
1600-936 T				5010019248	121
1600-940 T	FIRESTONE	W01-M58-8609	GRANNING	15916	121
1600-940 T	CONTITECH	940 MB**CA	BPW	05.429.41.14.1	121
1600-940 T	FIRESTONE	1T17D-4.3		BPW30K	121
1600-940 T	GOODYEAR	1R11-763		05.429.41.27.1	121
1600-940 T				05.429.41.53.1	121
1600-940 T				05.429.42.19.1	121
1600-940 T				05.429.43.21.0	121
1600-940 T				05.429.41.23.1	121
1600-940 T				05.429.42.41.1	121
1600-940 PT	FIRESTONE	W01-M58-8609**CPL	GRANNING	15916	122
1600-940 PT	FIRESTONE	W01-M58-8585	BPW	542943650	122
1600-940 PT		(Opposite Position)		BPW30K	122
1600-940 PT	CONTITECH	940 MB**CPL		05.429.43.21.0	122
1600-940 PT	FIRESTONE	1T17D-4.3			122
1600-940 PT	GOODYEAR	1R11-752			122
1600-940 T1			BPW	05.429.41.28.1	122
1600-940 T1				BPW30K	122
1600-941 T	FIRESTONE	W01-M58-8619	BPW	05.429.40.10.1	122
1600-941 T	CONTITECH	D11B30		BPW30	122
1600-941 T		941 MB**CA		05.429.41.14.1	122
1600-941 T	FIRESTONE	1T17D-8.3		05.429.41.27.1	122

ARBENT REFERENCE	CROSS NAME	CROSS REFERENCE	OEM NAME	OEM REFERENCE	PAGE NO
1600-941 T	GOODYEAR	1R11-762		05.429.41.53.1	122
1600-941 T				05.429.42.19.1	122
1600-941 T				05.429.40.28.1	122
1600-941 T				05.429.40.36.1	122
1600-941 T				05.429.40.59.1	122
1600-941 PT	FIRESTONE	W01-M58-8618	SCHMITZ	017 109	122
1600-941 PT		W01-M58-8668	SCANIA	2338887	122
1600-941 PT		(Opposite Position)	BPW	05.429.43.20.0	122
1600-941 PT	VIBRACOUSTIC	V1DK21Y1		BPW30	122
1600-941 PT	CONTITECH	941 MB**CPL			122
1600-941 PT	FIRESTONE	1T17D-8.3			122
1600-941 PT	GOODYEAR	1R14-781			122
1600-941 T2	GOODYEAR	1R11-702	BPW	30 05.429.40.52.1	123
1600-941 T2				30 05.429.40.64.1	123
1600-941 T2				30 05.429.41.24.1	123
1600-942 T	FIRESTONE	W01-M58-8584	HUFFERMANN	6-AB8003-0300	123
1600-942 T	VIBRACOUSTIC	V1DK32L X14	BPW	05.429.40.15.0	123
1600-942 T	CONTITECH	942 MB**CA		BPW36-1	123
1600-942 T	GOODYEAR	1R14-781		05.429.40.51.0	123
1600-942 T				05.429.41.69.0	123
1600-942 T				05.429.41.71.1	123
1600-942 T				05.429.43.45.0	123
1600-944 T			VOITH	H68.237001	123
1600-951 T	CONTITECH	951 MB**CA	BPW	05.429.40.72.0	123
1600-951 T				05.429.42.72.0	123
1600-951 PT	CONTITECH	951 MB**CPL			124
1600-0195 T	CONTITECH	0195 N P01	SCANIA	1510195	124
1600-0283 T1	FIRESTONE	W01-M58-6223	WEWELER	US04030P	124
1600-0283 T1	VIBRACOUSTIC	V1DK28F-3	SCHMITZ	S017924	124
1600-0283 T1	GOODYEAR	1R14-823	DISCOS/ MERCEDES BENZ	A9463281501	124
1600-1209 T	FIRESTONE	W01-M58-6289	ZORZI	1006551	124
1600-1209 T		1T15M-9	ROLFO	112322	124
1600-1209 T	GOODYEAR	1R12-703	OMAR	11808	124
1600-1209 T			CARDI	58050900	124
1600-1304 T	GOODYEAR	1R13-732**CA	ZORZI	1006552	125
1600-1304 T			SMB	M001464	125
1600-1304 T			FRUEHAUF	UJB0129-001	125
1600-1305 T			KAISER	F01004307	125
1600-1306 T10	GOODYEAR	1R12-720	ZORZI	1006559	125
1600-1306 T10			VIBERTI	128147109	125
1600-1314 T			FRUEHAUF	M060770	125
1600-1318 T	FIRESTONE	W01-M58-6361	ZF SACHS	1006553	126
1600-1318 T		1T19L-11	VIBERTI	128147102	126
1600-1318 T	GOODYEAR	1R14-706	ROLFO	112060	126
1600-1318 T			OMAR	11804	126
1600-1318 T			CARDI	58050700	126
1600-1318 T			BATTAGLINO	2211401	126
1600-1318 T			BARTOLETTI	91619011	126
1600-1415 T	CONTITECH	1415 N P02			126
1600-1709 PT	GOODYEAR	1R13-709	HENDRICKSON	HS507465	126
1600-1840 T	FIRESTONE	W01-M58-8762			126
1600-1840 T		1T19L-14			126
1600-1850 T	CONTITECH	1850 N P01	FORD CARGO ÇEKİCİ FRONT	1838 T	127
1600-1857 T	GOODYEAR	1R11-857	VOLVO	20843252	127
1600-1857 T				20909150	127
1600-1857 T				21321521	127
1600-1857 T				21977973	127
1600-1885 T			MAZ	6430-2934014	127
1600-1889 T	CONTITECH	1889 N P02	FORD CARGO ÇEKİCİ REAR		127
1600-1924 T	CONTITECH	1924 N1 P05	RENAULT V.I	501034890	128
1600-2473 PT	GOODYEAR	1R12-473	MITSUBISHI	MK316885	128
1600-2618 PT					128
1600-2619 PT	FIRESTONE	1T17BS-6			128
1600-2621 PT			SAF	3.229.0038.00 / 2621V	129

ARBENT REFERENCE	CROSS NAME	CROSS REFERENCE	OEM NAME	OEM REFERENCE	PAGE NO
1600-2626 PT			SAF	3.229.0039.00 ; 2626V	129
1600-2725 T2					129
1600-2752 T	VIBRACOUSTIC	V 1 DF 32-166228	GIGART	166228	129
1600-2752 T	CONTITECH	752 N P02			129
1600-2807 PT	GOODYEAR	1R12-807	HENDRICKSON	QE100001	130
1600-2825 T	GOODYEAR	1R12-825	VOLVO	21097433	130
1600-2825 T				21160951	130
1600-2825 T				21513833	130
1600-2825 T				70311683	130
1600-2919 PT			SAF	3.229.0042.00	130
1600-2922 T	VIBRACOUSTIC	V1D28A-16	SAF	3.229.0036.00	130
1600-3010 T					131
1600-3608 T	CONTITECH	6700 N P02	SCANIA	1903608	131
1600-3608 T		3608 N P01		1944314	131
1600-3608 T	GOODYEAR	1R14-869			131
1600-3691 T	CONTITECH	6700 N P01	SCANIA	1543691	131
1600-3691 T		3691 N P01			131
1600-3724 T	GOODYEAR	1R13-724	KAISER	F01008697	131
1600-3726 T	GOODYEAR	1R13-726	TROUILLET	F01008696	132
1600-3728 T	GOODYEAR	1R13-728	KAISER	F01008697	132
1600-4004 T3	FIRESTONE	W01-M58-6366**CA	SAF	2.229.0007.00	132
1600-4004 T3	CONTITECH	4004 N P05		2.229.0007.01	132
1600-4004 T3	FIRESTONE	1T17BS-6		3.229.0007.00	132
1600-4004 T3	GOODYEAR	1R11-706		3.229.0007.01	132
1600-4004 T3				3.229.0007.02	132
1600-4004 PT3	FIRESTONE	W01-M58-6366	SAF	2.229.0007.00	132
1600-4004 PT3	CONTITECH	4004 N P03		2.229.0007.01	132
1600-4004 PT3	FIRESTONE	1T17BS-6		3.229.0007.00	132
1600-4004 PT3	GOODYEAR	1R11-713		3.229.0007.01	132
1600-4004 PT3				3.229.0007.02	132
1600-4007 T	CONTITECH	4007 N P03	GIGART	246090	133
1600-4007 T2			GIGART	3042	133
1600-4008 T1	FIRESTONE	W01-M58-8765	WEWELER	US07380	133
1600-4008 T1	VIBRACOUSTIC	V 1 D 28 C-12	SMB	UJB0305	133
1600-4008 T1	CONTITECH	4008 N P01	SAMRO	H25000361	133
1600-4008 T1	FIRESTONE	1T19F-12	SAF	3.229.0024.00	133
1600-4008 T1	GOODYEAR	1R13-805	R.O.R/MERITOR	21221349	133
1600-4008 T1			FRUEHAUF	UJB0305-001	133
1600-4022 T2					133
1600-4022 T3	CONTITECH	4022 N P03**CA	SAF	3.229.0029.00	134
1600-4022 T3	GOODYEAR	1R11-710		3.229.2129.00	134
1600-4022 PT3	FIRESTONE	W01-M58-6367		3.229.2229.00	134
1600-4022 PT3	VIBRACOUSTIC	V1DK22E-9		3.229.2429.00	134
1600-4022 PT3	CONTITECH	4022 N P03			134
1600-4022 PT3	FIRESTONE	1T17BS-6			134
1600-4022 PT3	GOODYEAR	1R11-751			134
1600-4022 PT4			SPECIAL PRODUCT	3.229.0033.00	134
1600-4022 PT5	FIRESTONE	W01-M58-8612	SAF		134
1600-4022 PT5	VIBRACOUSTIC	V1DK22E-10			134
1600-4022 PT5	CONTITECH	4022 N P05			134
1600-4022 PT5	FIRESTONE	1T17BS-6			134
1600-4022 T6					135
1600-4023 T3	FIRESTONE	W01-M58-6348	SAF	3228003100	135
1600-4023 T3	VIBRACOUSTIC	V1D28B-10		3.229.0031.00	135
1600-4023 T3	CONTITECH	4023 N P03		3.229.2131.00	135
1600-4023 T3	FIRESTONE	1T19F-11		3.229.2231.00	135
1600-4023 T3	GOODYEAR	1R14-729		3.229.2431.00	135
1600-4023 PT3	CONTITECH	4023 N P03**CPL			135
1600-4023 T8	CONTITECH	4023 N P08	SAF HOLLAND	3.228.1031.00	135
1600-4023 T8				2923 V P03 Intra	135
1600-4023 T8			SAF	3228103100	135
1600-4023 PT8	CONTITECH	4023 N P08**CPL	SAF HOLLAND	3.228.1031.00	136
1600-4023 PT8				2923 V P03 Intra	136
1600-4028 T	FIRESTONE	W01-M58-8106	WEWELER	US 04028	136

ARBENT REFERENCE	CROSS NAME	CROSS REFERENCE	OEM NAME	OEM REFERENCE	PAGE NO
1600-4028 T	VIBRACOUSTIC	V1D28F-1	SCHMITZ	15323	136
1600-4028 T	CONTITECH	4028 N P02			136
1600-4028 T	FIRESTONE	1T19L-12			136
1600-4028 T	GOODYEAR	1R14-782			136
1600-4028 T2	FIRESTONE	1T19L-12			136
1600-4028 T5	FIRESTONE	W01-M58-7370	R.O.R/MERITOR	2122239	136
1600-4028 T5	CONTITECH	4028 N P05	BATTAGLINO	91101895	136
1600-4028 T5	FIRESTONE	1T19L-11			136
1600-4028 T5	GOODYEAR	1R14-721			136
1600-4112 T	VIBRACOUSTIC	V1G12b-7	OTOKAR	M 2010 MAGIRUS REAR	137
1600-4154 T1	FIRESTONE	1T15M-4			137
1600-4154 T5	FIRESTONE	W01-M58-8172**CA	RENAULT	5010239252	137
1600-4154 T5	CONTITECH	4154 N P05**CA		5010488071	137
1600-4154 PT5	FIRESTONE	W01-M58-8172**CPL	RENAULT	5010239252	137
1600-4154 PT5	CONTITECH	4154 N P05**CPL		5010488071	137
1600-4154 T6	FIRESTONE	W01-M58-7283**CA	SCANIA	1320151	138
1600-4154 T6		1T15M-4			138
1600-4154 PT6	FIRESTONE	W01-M58-7283	SCANIA	1320151	138
1600-4154 PT6		1T15M-4			138
1600-4156 PT	CONTITECH	4156 N P15	WEWELER	US35864	138
1600-4156 PT			SMB	UJB 0207	138
1600-4156 PT			R.O.R/MERITOR	21215761	138
1600-4156 PT			HENDRICKSON	HA100001	138
1600-4156 PT			FRUEHAUF	M001472	138
1600-4156 PT2	FIRESTONE	W01-M58-9229	NEWAY	M00557002	138
1600-4156 PT2		1T15M-6			138
1600-4156 T3	FIRESTONE	W01-M58-9089	FRUEHAUF	M001472	139
1600-4156 T3	CONTITECH	4156 N P09		UJB 0207-001	139
1600-4156 T3	FIRESTONE	1T15M-6			139
1600-4156 T3	GOODYEAR	1R12-706			139
1600-4156 T6	VIBRACOUSTIC	V 1 DK 23 K-28			139
1600-4156 T6	CONTITECH	4156 N P06			139
1600-4156 T6	GOODYEAR	1R12-719			139
1600-4156 T7	CONTITECH	4156 N P07			139
1600-4156 PT7	FIRESTONE	W01-455-6288	HENDRICKSON	HA 100053	139
1600-4156 PT7		1T15M-6			139
1600-4156 T17					140
1600-4156 T18	FIRESTONE	W01-095-0292			140
1600-4156 T18	GOODYEAR	8581			140
1600-4157 T	CONTITECH	4157 N P04**CA	MERCEDES-BENZ	9463281401	140
1600-4157 T3	CONTITECH	4157 N P03**CA			140
1600-4157 PT3	CONTITECH	4157 N P03			141
1600-4157 PT4	FIRESTONE	W01-M58-6297	WEWELER	US 07364	141
1600-4157 PT4	CONTITECH	4157 N P04	R.O.R/MERITOR	2122 1307	141
1600-4157 PT4	CONTITECH	4157 N P14	DISCOS/ MERCEDES BENZ	A 9463281401	141
1600-4157 PT4	FIRESTONE	1T15MPW-7			141
1600-4157 PT4	GOODYEAR	1R11-111			141
1600-4157 T5	CONTITECH	4157 N P05**CA	WEWELER	US 07074C	141
1600-4157 PT5	FIRESTONE	W01-M58-8840		US 07074P	141
1600-4157 PT5	CONTITECH	4157 N P05	WABCO	951 811 106 0	141
1600-4157 T6	CONTITECH	4157 N P06**CA			142
1600-4157 PT6	VIBRACOUSTIC	V 1 DK 20 A-1	WEWELER	US 06316	142
1600-4157 PT6	CONTITECH	4157 N P06	SCHMITZ	751065	142
1600-4157 PT6	FIRESTONE	1T15MPW-7			142
1600-4157 PT6	GOODYEAR	1R11-764		90557233	142
1600-4157 PT8	FIRESTONE	W01-M58-6317	NEWAY	M078580	142
1600-4157 PT8	VIBRACOUSTIC	V1DK20C-2	FRUEHAUF		142
1600-4157 PT8	CONTITECH	4157 N P08			142
1600-4157 PT8	GOODYEAR	1R11-773			142
1600-4157 T9	CONTITECH	4157 N P09*CA	WEWELER	US 07074F	142
1600-4157 PT9	CONTITECH	4157 N P09	R.O.R/MERITOR	2122 2442	143
1600-4157 PT10	FIRESTONE	W01-M58-6315	SMB	M060924	143
1600-4157 PT10	VIBRACOUSTIC	V1DK20A-51	FRUEHAUF	UJB 0975	143
1600-4157 PT10	CONTITECH	4157 N P10	ACERBI	441901	143

ARBENT REFERENCE	CROSS NAME	CROSS REFERENCE	OEM NAME	OEM REFERENCE	PAGE NO
1600-4157 PT10	FIRESTONE	1T15MPW-7			143
1600-4157 PT10	GOODYEAR	1R11-772			143
1600-4157 PT11			SAMRO	H2501869	143
1600-4157 PT11			NEWAY	905 572 33	143
1600-4157 PT11			FRUEHAUF	78580	143
1600-4157 T12					143
1600-4157 T13	VIBRACOUSTIC	V1 D23 G-4 WB	IVECO	504108867	144
1600-4157 T13			HENDRICKSON	H5508385	144
1600-4158 T	CONTITECH	4158 N P03**CA			144
1600-4158 PT3	CONTITECH	4158 N P03	WEWELER	US06285	144
1600-4158 PT3			SCHMITZ-ANHANGER	750999	144
1600-4158 PT3			SCHMITZ	14892	144
1600-4159 T			WABCO	951 811 003 0	144
1600-4159 T2	VIBRACOUSTIC	V 1 DK 23 L-40	SAMRO	2500425	145
1600-4159 T2	CONTITECH	4159 N P03			145
1600-4159 PT2	FIRESTONE	W01-379-9131	SAMRO	H2500324	145
1600-4159 PT2		W01-M58-9131	FRUEHAUF	M001774	145
1600-4159 PT2	VIBRACOUSTIC	V1DK23L-9131		UJB 0358-001	145
1600-4159 PT2	CONTITECH	4159 N P09	CARDI	58051210	145
1600-4159 PT2	FIRESTONE	1T15M-9	ACERBI	128147123	145
1600-4159 PT2	GOODYEAR	1R12-721			145
1600-4159 T3	FIRESTONE	1T15M-9			145
1600-4159 PT3	FIRESTONE	W01-M58-7308	SCANIA	1314905	145
1600-4159 PT3	VIBRACOUSTIC	V 1 DK 23 L-42			145
1600-4159 PT3	GOODYEAR	566-24-3-501			145
1600-4159 PT3	FIRESTONE	1T15M-9			145
1600-4159 PT3	GOODYEAR	1R12-713**CPL			145
1600-4159 PT4	FIRESTONE	W01-M58-9222	NEWAY	M00557007	146
1600-4159 PT4		1T15M-9			146
1600-4159 T5	FIRESTONE	W01-M58-8859	FRUEHAUF	202302	146
1600-4159 T5	VIBRACOUSTIC	V 1 DK 21 B-9		1524873	146
1600-4159 T5	CONTITECH	4159 N P07		UJB0203-001	146
1600-4159 T5	FIRESTONE	1T15M-9			146
1600-4159 T5	GOODYEAR	1R12-702			146
1600-4159 T6	CONTITECH	4159 N P14**CA	FRUEHAUF	M001782	146
1600-4159 T6		4159 N P06**CA		UJA0894	146
1600-4159 T6	GOODYEAR	1R12-701			146
1600-4159 T9	FIRESTONE	1T15M-9			146
1600-4159 PT10	FIRESTONE	W01-M58-7548	FRUEHAUF	UJA0894-001	147
1600-4159 PT10	CONTITECH	4159 N P14			147
1600-4159 PT10		4159 N P06			147
1600-4159 PT10	FIRESTONE	1T15M-9			147
1600-4159 PT10	GOODYEAR	1R12-701**CPL			147
1600-4159 T12	FIRESTONE	W01-M58-7308	SCANIA	1327144	147
1600-4159 T12	GOODYEAR	1R12-713			147
1600-4183 T	CONTITECH	4183 N P03 (Voss230)	MERCEDES-BENZ	A9423201321	147
1600-4183 T		4183 N P01 (Voss230)			147
1600-4183 T2	CONTITECH	4183 N P04 (Voss230)	MERCEDES-BENZ	A9423201421	147
1600-4183 T2		4183 N P02 (Voss230)			147
1600-4183 T23	CONTITECH	4183 N P25	MERCEDES-BENZ	A 942 320 22 21	148
1600-4183 T23		4183 N P23 (Voss 232)			148
1600-4183 T24	FIRESTONE	W01-M58-0589	MERCEDES-BENZ	A 942 320 23 21	148
1600-4183 T24	CONTITECH	4183 N P26			148
1600-4183 T24		4183 N P24 (Voss 232)			148
1600-4185 T	CONTITECH	4185 N P01 (Voss230)	MERCEDES-BENZ	A9743200021	148
1600-4185 T10	CONTITECH	4185 N P21 (Voss232)	MERCEDES-BENZ	A9423203021	148
1600-4186 T1	CONTITECH	4186 N P01 (Voss230)	DAIMLER CHRYSLER	A 942 320 16 21	149
1600-4186 T2	CONTITECH	4186 N P02 (Voss230)	DAIMLER CHRYSLER	A 942 320 17 21	149
1600-4186 T3	CONTITECH	4186 N P23 (Voss232)	DAIMLER CHRYSLER	A 942 320 24 21	149
1600-4186 T3		4186 N P21 (Voss232)		A 942 320 70 21	149
1600-4186 T4	CONTITECH	4186 N P24 (Voss232)	DAIMLER CHRYSLER	A 942 320 25 21	149
1600-4186 T4		4186 N P22 (Voss232)		A 942 320 71 21	149
1600-4187 T	CONTITECH	4187 N P01 (Voss230)	DAIMLER CHRYSLER	A 942 320 18 21	150
1600-4187 T				A9423201821	150

ARBENT REFERENCE	CROSS NAME	CROSS REFERENCE	OEM NAME	OEM REFERENCE	PAGE NO
1600-4187 T1	CONTITECH	4187 N P23 (Voss232	DAIMLER CHRYSLER	A 942 320 26 21	150
1600-4187 T1		4187 N P21 (Voss232		A 942 320 72 21	150
1600-4187 T2	CONTITECH	4187 N P24 (Voss232)	DAIMLER CHRYSLER	A 942 320 27 21	150
1600-4187 T2		4187 N P22 (Voss232)		A 942 320 73 21	150
1600-4187 T3	CONTITECH	4187 N P02 (Voss230)	DAIMLER CHRYSLER	A 942 320 19 21	150
1600-4390 T1	CONTITECH	4390 N P01 (Voss230	MERCEDES-BENZ	A9423200121	151
1600-4390 T1	GOODYEAR	9505			151
1600-4390 T2	FIRESTONE	W01-M58-8513	MERCEDES-BENZ	A9423200221	151
1600-4390 T2	CONTITECH	4390 N P02 (Voss230			151
1600-4390 T2	GOODYEAR	9506			151
1600-4390 T3	CONTITECH	4390 N P03 (Voss230)	MERCEDES-BENZ	A9423200421	151
1600-4390 T4	CONTITECH	4390 N P04 (Voss230)	MERCEDES-BENZ	A9423200321	151
1600-4390 T10	FIRESTONE	W01-M58-8514	MERCEDES-BENZ	A9423202821	152
1600-4390 T10	VIBRACOUSTIC	V1KF21-1		A9423204921	152
1600-4390 T10	CONTITECH	4390 N P21 (Voss232			152
1600-4390 T20	VIBRACOUSTIC	V1KF21-2	MERCEDES-BENZ	A9423202921	152
1600-4390 T20	CONTITECH	4390 N P22 (Voss232		A9423205021	152
1600-4390 T30	CONTITECH	4390 N P23 (Voss232	MERCEDES-BENZ	A9423205221	152
1600-4390 T40	CONTITECH	4390 N P24 (Voss232	MERCEDES-BENZ	A9423205121	152
1600-4391 T1	CONTITECH	4391 N P01 (Voss230	MERCEDES-BENZ	A9423200621	153
1600-4391 T2	CONTITECH	4391 N P02 (Voss230)	MERCEDES-BENZ	A9423200721	153
1600-4391 T21	CONTITECH	4391 N P21	MERCEDES	A 942 320 53 21	153
1600-4391 T22	CONTITECH	4391 N P22	MERCEDES	A 942 320 54 21	153
1600-4420 T	FIRESTONE	W01-M58-9707	VOLVO	1076075	154
1600-4420 T	CONTITECH	4420 N P01		1076076	154
1600-4420 T	FIRESTONE	1T17BR-8		20554756	154
1600-4560 T	CONTITECH	4560 N P02	VOLVO	21 224 745	154
1600-4560 T				22 058 737	154
1600-4561 T	CONTITECH	4561 N P02	VOLVO	21224746	154
1600-4561 T				22058738	154
1600-4570 T	CONTITECH	4570 N P02	VOLVO	21 224 749	154
1600-4570 T				22 058 741	154
1600-4570 T3	CONTITECH	4570 N P03	VOLVO	21961456	154
1600-4570 T3				6135230599-2	154
1600-4571 T	CONTITECH	4571 N P02	VOLVO	21224750	155
1600-4571 T				22056630	155
1600-4644 T	CONTITECH	4644 N P02 (Voss230	EVO-BUS	A6293200025	155
1600-4644 T22	VIBRACOUSTIC	V1KE22-1	EVO-BUS	A 629 320 00 25	155
1600-4644 T22	CONTITECH	4644 N P22 (VOSS 232			155
1600-4705 T3	CONTITECH	4705 N1 P03	MAN	81436006039	156
1600-4705 T4	CONTITECH	4705 N1 P04	MAN	81436006040	156
1600-4713 T2	FIRESTONE	W01-M58-9706	VOLVO	1076594	156
1600-4713 T2	CONTITECH	4713 N P02		20554755	156
1600-4713 T2	GOODYEAR	1R12-762			156
1600-4718 T1	CONTITECH	4718 N P01	VOLVO	1075363	156
1600-4718 T1				1629718	156
1600-4718 T1				20 542 136	156
1600-4718 T1				20554759	156
1600-4725 T					157
1600-4737 T1	CONTITECH	4737 N P01 (Voss230	MERCEDES-BENZ	A9463200321	157
1600-4737 T2	CONTITECH	4737 N P02 (Voss230	MERCEDES-BENZ	A9463200521	157
1600-4737 T5	CONTITECH	4737 N P05 (Voss230)	MERCEDES	A9573200117	157
1600-4737 T10	CONTITECH	4737 N P21 (Voss232)	MERCEDES-BENZ	A9423203721	158
1600-4737 T20	CONTITECH	4737 N P22 (Voss232)	MERCEDES-BENZ	A9423203921	158
1600-4737 T25	CONTITECH	4737 N P25 (Voss232)	MERCEDES	A9573200317	158
1600-4753 T			VOLVO	20 452 472	158
1600-4753 T				20 554 753	158
1600-4753 T				3 987 630	158
1600-4757 T1	CONTITECH	4757 N P01 (Voss230)	MERCEDES-BENZ	A9423200117	159
1600-4757 T2	CONTITECH	4757 N P02 (Voss230)	MERCEDES-BENZ	A9463200217	159
1600-4757 T2				A9743200217	159
1600-4757 T9	CONTITECH	4757 N P09 (Voss230)	MERCEDES-BENZ	A9463200417	159
1600-4757 T9				A9743200417	159
1600-4757 T9			MERCEDES	A 9743204321	159

ARBENT REFERENCE	CROSS NAME	CROSS REFERENCE	OEM NAME	OEM REFERENCE	PAGE NO
1600-4757 T10	CONTITECH	4757 N P21 (Voss232)	MERCEDES-BENZ	A9423204321	159
1600-4757 T10	GOODYEAR	9519		A9463204321	159
1600-4757 T20	CONTITECH	4757 N P22 (Voss232)			160
1600-4757 T90	CONTITECH	4757 N P29 (Voss232)	MERCEDES-BENZ	A9423203221	160
1600-4757 T90				A9463203221	160
1600-4758 T1	CONTITECH	4758 N P01 (Voss230)	MERCEDES-BENZ	A9453200017	160
1600-4758 T10	CONTITECH	4758 N P21 (Voss232)	MERCEDES-BENZ	A9423204821	160
1600-4758 T23	CONTITECH	4758 N P23	MERCEDES-BENZ	A 942 320 06 17	161
1600-4758 T23				A 942 320 33 21	161
1600-4759 T	CONTITECH	4759 N P01 (Voss232)	BPW	A9423200217	161
1600-4759 T10	CONTITECH	4759 N P21 (Voss232)	MERCEDES-BENZ	A9423204421	161
1600-4786 T	CONTITECH	4786 N P21 (VOSS 232)	MERCEDES	A 942 320 45 21	161
1600-4786 T1	CONTITECH	4786 N P01 (VOSS 230)	MERCEDES-BENZ	A 974 320 00 17	162
1600-4786 T1			MERCEDES	A 974 320 01 17	162
1600-4786 T2	CONTITECH	4786 N P02	MERCEDES-BENZ	A 444 320 02 17	162
1600-4810 T5	FIRESTONE	W01-M58-6338	SAF	3228002700	162
1600-4810 T5	VIBRACOUSTIC	V1D28A-10		3.229.0027.00	162
1600-4810 T5	CONTITECH	4810 N P05		3.229.2127.00	162
1600-4810 T5	FIRESTONE	1T19L-7		3.229.2227.00	162
1600-4810 T5	GOODYEAR	1R14-730			162
1600-4810 T8	CONTITECH	4810 N P08	SAF HOLLAND	2918V P04 Intra	162
1600-4810 T8				3.228.1027.00	162
1600-4810 T8				2918 V P04 Intra	162
1600-4813 T7	FIRESTONE	W01-M58-7358	SCANIA/SCANIA BUSSAR	255293	163
1600-4813 T7	VIBRACOUSTIC	V1D28B-9		1107674	163
1600-4813 T7	CONTITECH	4813 N P07		1314906	163
1600-4813 T7	FIRESTONE	1T19L-11		255295	163
1600-4813 T7	GOODYEAR	1R14-727		298568	163
1600-4813 T7				325748	163
1600-4813 T7			SCANIA	1865755	163
1600-4813 T7			SAF	3.229.0005.00	163
1600-4813 PT7	FIRESTONE	W01-M58-7358**CPL	SCANIA/SCANIA BUSSAR	255293	163
1600-4813 PT7	CONTITECH	4813 N P07**CPL		1107674	163
1600-4813 PT7	FIRESTONE	1T19L-11		1314906	163
1600-4813 PT7	GOODYEAR	1R14-727**CPL		255295	163
1600-4813 PT7				298568	163
1600-4813 PT7				325748	163
1600-4813 PT7			SCANIA	1865755	163
1600-4813 PT7			SAF	3.229.0005.00	163
1600-4815 T	GOODYEAR	1R14-815	SAF	2923VK 3.229.0028.00 Intra	163
1600-4815 T				2924V 3.229.0041.00	163
1600-4815 PTA			SAF	2923 VK	163
1600-4815 PTA				3.229.0028.00	163
1600-4815 PT2			SAF	29224 V	164
1600-4815 PT2				3.229.0041.00	164
1600-4838 T1	CONTITECH	4838 N P01 (Voss230)	MERCEDES-BENZ	A9463200421	164
1600-4838 T2	CONTITECH	4838 N P02 (Voss230)	MERCEDES-BENZ	A9463200221	164
1600-4838 T3	CONTITECH	4838 N P03 (Voss230)	MERCEDES-BENZ	A9463200121	164
1600-4838 T10	CONTITECH	4838 N P21 (Voss232)	MERCEDES-BENZ	A9423203821	165
1600-4838 T20	CONTITECH	4838 N P22 (Voss232)	MERCEDES-BENZ	A9423203621	165
1600-4838 T30	CONTITECH	4838 N P23 (Voss232)	MERCEDES-BENZ	A9423203521	165
1600-4862 T	VIBRACOUSTIC	V1DF16B-1	MAN	81436006049	165
1600-4862 T	CONTITECH	4862 N1 P02	BPW	05.429.41.22.1	165
1600-48810T1	FIRESTONE	W01-M58-8602		05.429.41.31.1	166
1600-48810T1	VIBRACOUSTIC	V1DK32K-01		BPW36K**CA	166
1600-48810T1	CONTITECH	4881 N P02**CA			166
1600-48810T1	CONTITECH	4881 N P03			166
1600-48810T1	FIRESTONE	1T66D-7.0			166
1600-4881 PT1	FIRESTONE	W01-M58-8602**CPL	BPW	05.429.43.41.0	166
1600-4881 PT1	FIRESTONE	W01-M58-8666		BPW36K	166
1600-4881 PT1		(Opposite Position)		05.801.21.29.0	166
1600-4881 PT1	CONTITECH	4881 N P02**CPL			166
1600-4881 PT1	CONTITECH	4881 N P30			166
1600-4881 PT1	FIRESTONE	1T66D-7.0			166

ARBENT REFERENCE	CROSS NAME	CROSS REFERENCE	OEM NAME	OEM REFERENCE	PAGE NO
1600-4881 PT1	GOODYEAR	1R14-757**CPL			166
1600-4882 T5	FIRESTONE	W01-M58-9880	MAN	81436006036	166
1600-4882 T5	CONTITECH	4882 N1 P05			166
1600-4882 T7	CONTITECH	4883 N1 P06	MAN	81436006037	166
1600-4882 T7		4883 N1 P07		81436006038	166
1600-4884 T6	FIRESTONE	W01-M58-9879	MAN	81436006035	167
1600-4884 T6	CONTITECH	4884 N1 P06			167
1600-4884 T7			MAN TGA	81436006041	167
1600-4884 T9	CONTITECH	4884 N1 P09	MAN	81436006002	167
1600-4885 T	CONTITECH	4885 N1 P02	MAN	81436006044	167
1600-4886 T	CONTITECH	4886 N P01	MAN	1436006046	168
1600-4887 T10	FIRESTONE	W01-M58-8681			168
1600-4911 T3	CONTITECH	4911 N P03	RENAULT V.I	5010294308C	168
1600-4911 T4	CONTITECH	4911 N P04	RENAULT	5010557356	168
1600-49110T6	CONTITECH	4911 N P06	VOLVO	20 726 769	169
1600-49110T6			RENAULT	5010600439	169
1600-4912 T5	FIRESTONE	W01-M58-8786	RENAULT V.I	5010294307C	169
1600-4912 T5	VIBRACOUSTIC	V1DK28F-4	RENAULT	50 10 239 213	169
1600-4912 T5	CONTITECH	4912 N P07			169
1600-4912 T5	FIRESTONE	1T19L-14			169
1600-4912 T5	GOODYEAR	1R13-711			169
1600-4912 T10	CONTITECH	4912 N P10	RENAULT	5010557355	169
1600-49142 T13	CONTITECH	4912 N P13	VOLVO	20726768	169
1600-49142 T13			RENAULT	5010600328	169
1600-4913 T2	FIRESTONE	W01-M58-8098	SCANIA	1379392	170
1600-4913 T2	CONTITECH	4913 N P02		1440294	170
1600-4913 T2	FIRESTONE	1T19F-14 W01-095-0366		1731113	170
1600-4913 T2	GOODYEAR	1R14-753			170
1600-4915 T1	VIBRACOUSTIC	V1DK19-1	VOLVO	20 757 541	170
1600-4915 T1	CONTITECH	4915 N P06		22 025 613	170
1600-4915 T1			RENAULT V.I	5001488070	170
1600-4915 T1				5010294309	170
1600-4916 T	CONTITECH	4916 N1 P07			170
1600-4919 T	CONTITECH	4919 N P01	VOLVO	20 735 220	170
1600-4919 T			RENAULT	5010557622	170
1600-4922 T					171
1600-4922 PT	CONTITECH	4922 MB	RENAULT V.I	5010600262	171
1600-4925 T					171
1600-4930 PT	FIRESTONE	W01-M58-8653	SCANIA	1434930	171
1600-4933 T	FIRESTONE	W01-M58-8633	SCANIA	1434933	172
1600-4933 T		1T17HR-8			172
1600-4940 T2	CONTITECH	4940 N P02**CA			172
1600-4940 PT2	CONTITECH	4940 N P02**CPL	BPW	05.429.41.56.0	172
1600-4940 PT2				BPW30K	172
1600-4941 T2	CONTITECH	4941 N P02**CA	BPW	05.429.43.25.0	172
1600-4941 T2				BPW30	172
1600-4941 PT2	CONTITECH	4941 N P01**CPL			173
1600-4942 T	CONTITECH	4942 N P02**CA	BPW	05.429.41.09.0	173
1600-4942 T				05.429.41.85.0	173
1600-4942 T				05.429.41.86.0	173
1600-460 T2	CONTITECH	4960 N P02**CA			173
1600-4960 PT2	CONTITECH	4960 N P02**CPL	BPW	05.429.41.77.0	173
1600-4960 PT2				BPW30K	173
1600-4960 PT3	VIBRACOUSTIC	V1 DK 21 K-3	BPW	05.429.43.23.0	174
1600-4960 PT3	GOODYEAR	1R11-823		30K	174
1600-4961 T	CONTITECH	4961 N P02**CA	BPW	05.429.42.04.0	174
1600-4961 PT2	CONTITECH	4961 N P02**CPL	BPW	05.429.42.04.0	174
1600-4961 PT2				BPW30K	174
1600-4962 T	CONTITECH	4962 N P02**CA	BPW	05.429.42.03.0	174
1600-4962 PT	CONTITECH	4962 N P02**CPL			175
1600-4963 T	CONTITECH	4963 N P01**CA	BPW	05.429.42.54.0 BPW 30	175
1600-4963 T				05.429.43.62.0 BPW 30	175
1600-4963 PT	CONTITECH	4963 N P01**CPL	BPW	05.429.42.54.0 BPW 30	175
1600-4963 PT				05.429.43.62.0 BPW 30	175

ARBENT REFERENCE	CROSS NAME	CROSS REFERENCE	OEM NAME	OEM REFERENCE	PAGE NO
1600-6120 PT	CONTITECH	6120 N P48	MERCEDES-BENZ	A 960 320 13 57	175
1600-6120 PT1	CONTITECH	6120 N P49	MERCEDES-BENZ	A 960 320 17 57	176
1600-6121 PT	CONTITECH	6121 N P44	MERCEDES-BENZ	A 960 320 12 57	176
1600-6121 PT				A 960 320 62 57	176
1600-6122 PT1	CONTITECH	6122 N P46	MERCEDES-BENZ	A 960 320 00 57	176
1600-6122 PT1				A 960 320 70 21	176
1600-6122 PT2	CONTITECH	6122 N P47	MERCEDES-BENZ	A 960 320 01 57	176
1600-6122 PT2				A 960 320 77 21	176
1600-6123 T	CONTITECH	6123 N P40	MERCEDES-BENZ	A 960 320 06 57	177
1600-6123 T				A 960 320 71 57	177
1600-6198 T	GOODYEAR	1R13-747	SCANIA	1362143	177
1600-6198 T				1386198	177
1600-6199 T	GOODYEAR	1R13-744	SCANIA	1362145	177
1600-6199 T				1370743	177
1600-6199 T				1386199	177
1600-6200 T	GOODYEAR	1R13-745	SCANIA	1362147	177
1600-6200 T				1370744	177
1600-6200 T				1386200	177
1600-6237 T	CONTITECH	1R13-750	SCANIA	1726237	178
1600-6237 T				2024281	178
1600-6243 T	GOODYEAR	566-22-3-546	VOLVO	2024288	178
1600-6243 T		1R11-869	SCANIA	1726243	178
1600-6243 T		1R11-838			178
1600-6247 PT			VOLVO	20 352 247	178
1600-6247 PT				20 386 228	178
1600-6251 T	FIRESTONE	W01-M58-6251	SCANIA/SCANIA BUSSAR	1314903	178
1600-6251 T		1T15AA-3		1402423	178
1600-6251 T			SCANIA	1865759	178
1600-6251 T			GRANNING	15619	178
1600-6251 PT	FIRESTONE	W01-M58-6251**CPL			179
1600-6260 PT	FIRESTONE	W01-M58-6260	HENDRICKSON	59053-2F	179
1600-6305 T	CONTITECH	6610 N P01	VOLVO	20 573 305	179
1600-6306 T			VOLVO	20 573 306	179
1600-6318 PT	FIRESTONE	W01-M58-6318	WEWELER	US06318F	180
1600-6318 PT		W01-968-6318	SCHMITZ	16512	180
1600-6318 PT	GOODYEAR	1R12-837			180
1600-6416 T	VIBRACOUSTIC	V1DF16D-1	VOLVO	1076416	180
1600-6416 T	CONTITECH	6608 N P01		20374510	180
1600-6416 T	GOODYEAR	1R10-704		20456152	180
1600-6416 T	FIRESTONE	W01-M58-8474		20531985	180
1600-6416 T				20582215	180
1600-6416 T				31171693	180
1600-6416 T2			SPECIAL PRODUCT		180
1600-6418 T	FIRESTONE	W01-M58-8473	VOLVO	1076418	180
1600-6418 T	VIBRACOUSTIC	V1DF16C-1		20374511	180
1600-6418 T	CONTITECH	6607 N P01		20456156	180
1600-6418 T	GOODYEAR	1R10-707		20531987	180
1600-6418 T				20582214	180
1600-6418 T				3171695	180
1600-6420 T	CONTITECH	6600 N P02	VOLVO	1076420	181
1600-6420 T				20374512	181
1600-6420 T				20456160	181
1600-6420 T				20531989	181
1600-6420 T				20582213	181
1600-6420 T				21961448	181
1600-6602 T	CONTITECH	6602 N P02	VOLVO	20480202	181
1600-6602 T		6602 N P01		20573113	181
1600-6602 T				21041697	181
1600-6602 T				21097453	181
1600-6602 T				70313734	181
1600-6602 T				70397453	181
1600-6603 T	CONTITECH	6603 N P01	VOLVO	3195240	181
1600-6603 T				20573312	181
1600-6603 T2	VIBRACOUSTIC	V1DF16E-1	VOLVO	20 573 311	181

ARBENT REFERENCE	CROSS NAME	CROSS REFERENCE	OEM NAME	OEM REFERENCE	PAGE NO
1600-6603 T2	CONTITECH	6603 N P02			181
1600-6604 T	VIBRACOUSTIC	V 1 DF 16 E-1	VOLVO	20573108	182
1600-6604 T	CONTITECH	6604 N P01		20573109	182
1600-6604 T				70313718	182
1600-6604 T				70321690	182
1600-6604 T				70321692	182
1600-6604 T				70376911	182
1600-6604 T				70376919	182
1600-6609 T			VOLVO	1075365	182
1600-6609 T				1629782	182
1600-6609 T				20452138	182
1600-6609 T				20554761	182
1600-6752 T			VOLVO	20554752	182
1600-6760 T	CONTITECH	6612 N P01	VOLVO	20452136	182
1600-6760 T		2136 M		20452142	182
1600-6760 T				20554760	182
1600-6762 T	CONTITECH	6613 N P01	VOLVO	20452144	182
1600-6762 T		54762 M		20479802	182
1600-6762 T				20554762	183
1600-6768 T	CONTITECH	54768 M	VOLVO	20554768	183
1600-6770 T	CONTITECH	54770 M	VOLVO	3173271	183
1600-6770 T				20554770	183
1600-6771 T	CONTITECH	54771 M	VOLVO	20 554 771	183
1600-6884 T	FIRESTONE	W01-M58-8772	BERTOJA	46311001	184
1600-6884 T		1T19L-7			184
1600-7003 PTA			MERCEDES SPRINTER	2007-2013	184
1600-7074 PT	FIRESTONE	W01-M58-7074	WEWELER	US07074	184
1600-7074 PT		1T15MPV-7			184
1600-7074 PT	GOODYEAR	1R11-106			184
1600-7313 T	FIRESTONE	W01-M58-7313	NEWAY	MO557019	184
1600-7313 T		1T15AA-6		MO557020	184
1600-7313 T				MO557030	184
1600-7313 T				MO557031	184
1600-7313 T			IVECO	99458555	184
1600-7313 T				99458557	184
1600-7313 T			EUROCARGO	120E	184
1600-7315 T	FIRESTONE	W01-M58-7315**CA	SCANIA/SCANIA BUSSAR	1314904**CA	185
1600-7315 PTA	FIRESTONE	W01-M58-7315	SCANIA	1314904	185
1600-7315 PTA		1T15S-11			185
1600-7803 T	FIRESTONE	W01-M58-8472	VOLVO	3171692	185
1600-7803 T	CONTITECH	6605 N P01		20375226	185
1600-7803 T	GOODYEAR	1R11-805		20427800	185
1600-7803 T				20427803	185
1600-7803 T				20456150	185
1600-7803 T				20531984	185
1600-7803 T				20582206	185
1600-7803 T				21961374	185
1600-7804 T	FIRESTONE	W01-M58-8477	VOLVO	3171694	185
1600-7804 T	CONTITECH	6606 N P01		20427801	185
1600-7804 T	GOODYEAR	1R11-848		20427804	185
1600-7804 T				20456154	185
1600-7804 T				20531986	185
1600-7804 T				20582209	185
1600-7804 T				21961443	185
1600-7804 T2	CONTITECH	6606 N P02	VOLVO	21961447	186
1600-7804 T2				20 531 988	186
1600-7804 T2				20 582 212	186
1600-9722 T	VIBRACOUSTIC	V1DK27b-1	HENDRICKSON	H5507922	186
1600-9722 T			BMC PROFESYONEL	1142-DCX	186
1600-9722 T				827-DCX/ZCX/ZCF	186
1600-9722 T				832-YCX	186
1600-9722 PT	VIBRACOUSTIC	V1DK27b-1**CPL			186
1600-7923 T	VIBRACOUSTIC	V1DK27b-2	HENDRICKSON	H5507923	186
1600-7923 T			BMC PROFESYONEL	1142-DCX	186

ARBENT REFERENCE	CROSS NAME	CROSS REFERENCE	OEM NAME	OEM REFERENCE	PAGE NO
1600-7923 T				827-DCX/ZCX/ZCF	186
1600-7923 T				832-YCX	186
1600-7923 PTA	VIBRACOUSTIC	V1DK27b-2**CPL			187
1600-7947 T	CONTITECH	6614 N P01	VOLVO	20737943	187
1600-7947 T				20737947	187
1600-8070 T	VIBRACOUSTIC	V1DK19-1	RENAULT V.I	5010488070	187
1600-8071 T	VIBRACOUSTIC	V1DK23F-1			187
1600-8071 PT	FIRESTONE	W01-M54-8172	RENAULT	5010 259252	188
1600-8071 PT	CONTITECH	4154 N P05			188
1600-8107 T	FIRESTONE	W01-M58-8107**CA	WEWELER	US04031	188
1600-8107 T2	GOODYEAR	1R14-784	WEWELER	US04031	188
1600-8107 T2			SCHMITZ	017 685	188
1600-8185 T	FIRESTONE	W01-M58-8185**CA	WEWELER	US06285F	188
1600-8185 T		1T15MPW-9**CA	SCHMITZ-ANHANGER	750999	188
1600-8185 T	GOODYEAR	1R12-749**CA			188
1600-8185 PT	FIRESTONE	W01-M58-8185	WEWELER	US06285F	189
1600-8185 PT		1T15MPW-9	SCHMITZ-ANHANGER	750999	189
1600-8185 PT	GOODYEAR	1R12-749			189
1600-8186 T	FIRESTONE	W01-M58-8186**CA	WEWELER	US 06316F	189
1600-8186 T		1T15MPW-7	SCHMITZ	751065	189
1600-8186 PT	FIRESTONE	W01-M58-8186	WEWELER	US 06316F	189
1600-8186 PT		1T15MPW-7	SCHMITZ	751065	189
1600-8263 T	VIBRACOUSTIC	V 1 DK 22 G-1	MERCEDES-BENZ	A9423205921	189
1600-8263 T	GOODYEAR	1R11-847 566-22-3-525	HENDRICKSON	HS508263	189
1600-8608 T	FIRESTONE	1T17DJ-7			190
1600-8608 PT	FIRESTONE	W01-M58-8608 1T17DJ-7	R.O.R/MERITOR	21229214	190
1600-8679 T	FIRESTONE	W01-M58-8679	DAF	1279141	190
1600-8679 T	CONTITECH	889 MK2		1698434	190
1600-8679 T	FIRESTONE	1T15LLR-5			190
1600-9080 T	GOODYEAR	556-03-9080	VOLVO	20535876	190
1600-9080 T		9553		20725459	190
1600-9221 PT	FIRESTONE	W01-M58-6287	WEWELER	USO6287F	191
1600-9221 PT			ISUZU TURKUAZ	3870009221	191
160-9554 PTA	FIRESTONE	W01-358-9554	VOLVO	20462941	191
160-9554 PTA	CONTITECH	99K-12 P 093	MACK	57QL59M	191
160-9554 PTA			HENDRICKSON	60716-2	191
1600-9910 T	FIRESTONE	W01-M58-9910	RENAULT V.I	5000815749	191
1600-9910 T		1T19G-12	RENAULT	5010239338	191
1600-9910 T			NEWAY	M0057000G	191
1600-23025 T	CF GOMMA	15C 230 25			191
1600-24019 PT	CF GOMMA	1T240-19	OTOKAR	M 2010 MAGIRUS FRONT	192
1600-27023 T			IVECO STRALIS	41270462	192
1600-27023 PT			IVECO STRALIS	42559765**CPL	192
1600-27023 T1			IVECO STRALIS	41270463	192
1600-27023 PT1			IVECO STRALIS	42559766**CPL	193
1600-27023 T2			IVECO STRALIS	41270465	193
1600-27023 PT2			IVECO STRALIS	42559767**CPL	193
1600-27023 PT2			IVECO	7501206684	193
1600-27023 T3			IVECO STRALIS	41270466	193
1600-27023 PT3			IVECO STRALIS	42559768**CPL	194
1600-28030 T			ZORZI	1006549	194
1600-28030 T			VIBERTI	128147101	194
1600-28030 T			ISUZU TURKUAZ	500036807	194
1600-28030 T			CARDI	58050600	194
1600-28030 T			BERTOJA	42402001	194
1600-28030 T			BARTOLETTI	91619012	194
1600-28040 T	CF GOMMA	1T-280-40			194
1600-34506 T			SCANIA	473868	194
1600-34506 T				1434506	194
1600-34506 T				488264	194
1600-39780 T			VOLVO	20554763	195
1600-39780 T				1629780	195
1600-40301 T	FIRESTONE	W01-515-8192	SCANIA	470920	195
1600-40301 T	GOODYEAR	566-26-3-523		1440301	195

ARBENT REFERENCE	CROSS NAME	CROSS REFERENCE	OEM NAME	OEM REFERENCE	PAGE NO
1600-40301 T	FIRESTONE	1T15VR-3		1440856	195
1600-40301 T	GOODYEAR	1R13-746		488265	195
1600-40302 T	FIRESTONE	W01-M58-8193	SCANIA	470921	195
1600-40302 T	GOODYEAR	566-24-3-530		1440302	195
1600-40302 T	FIRESTONE	1T15VPR-3		488266	195
1600-40302 T	GOODYEAR	1R12-809			195
1600-40302 T1	GOODYEAR	1R12-813	SCANIA	1726238	195
1600-40303 T	GOODYEAR	566-22-3-547	SCANIA	488263	196
1600-40303 T		1R11-833		1440303	196
1600-40303 T				1475106	196
1600-40303 T				1521114	196
1600-40303 T1	GOODYEAR	566-22-3-547	SCANIA	1726239	196
1600-40303 T1		1R11-837		2024284	196
1600-40304 T	GOODYEAR	566-22-3-545	SCANIA	470922	196
1600-40304 T		1R11-829		1440304	196
1600-40304 T1	GOODYEAR	566-22-3-545	SCANIA	1726240	196
1600-40304 T1		1R11-834			196
1600-40305 T	FIRESTONE	W01-095-0481	SCANIA	492680	197
1600-40305 T	GOODYEAR	566-22-3-545		1440305	197
1600-40305 T	FIRESTONE	1T15LR-4		1440859	197
1600-40305 T	GOODYEAR	1R11-830			197
1600-40305 T1	GOODYEAR	566-22-3-546	SCANIA	176242	197
1600-40305 T1		1R11-839			197
1600-40305 T2	GOODYEAR	1R11-840	SCANIA	1726241	197
1600-40306 T	GOODYEAR	566-22-3-546	ACERBI	442678	197
1600-40306 T		1R11-831		1440306	197
1600-40307 T	GOODYEAR	566-22-3-550	SCANIA	470919	198
1600-40307 T		1R11-845		1440307	198
1600-40307 T				1440860	198
1600-40307 T				475149	198
1600-40307 T1	GOODYEAR	566-22-3-550	SCANIA	1726246	198
1600-40307 T1		1R11-841			198
1600-40309 T	GOODYEAR	1R11-896	SCANIA	2024285	198
1600-40309 T	CONTITECH	6716 N P02		2024289	198
1600-50631 T	VIBRACOUSTIC	V1DF25A-7	SOLARIS	1001 101 044	198
1600-50631 T		V1DF25A-1		1001 101 047	198
1600-50631 T				1001 101 060	198
1600-50631 T				1070 002 000	198
1600-50631 T2			SOLARIS	1001 101 040	199
1600-50631 T2				1001 101 050	199
1600-50631 T2				1070 001 000	199
1600-50631 T3	VIBRACOUSTIC	V1DF25A-22	SOLARIS	0000 194 640	199
1600-50631 T3				1001 101 045	199
1600-0212 LA	FIRESTONE	W01-681-0212**SA	ROWETRUCK	ASC1400HL	201
1600-2119 PTA	FIRESTONE	W01-358-2119	HENDRICKSON	S-2394	201
1600-2119 PTA	CONTITECH	6 6.5B-11 S 027	GRANNING	5122	201
1600-2543 PTA	CONTITECH	9 10-14 PT75 (BK)	SAF HOLLAND	90557275	201
1600-2543 PTA	GOODYEAR	1R12-543			201
1600-2642 TA	GOODYEAR	1R12-642**CA			201
1600-2642 TA		566-24-3-038			201
1600-3155 TA	FIRESTONE	W01-358-8637	WATSON & CHALIN	AS0107	202
1600-3155 TA	GOODYEAR	566-26-3-071	WATSON & CHALIN	AS0107G	202
1600-3155 TA	GOODYEAR	1R13-155	TRIANGLE	8724	202
1600-3155 TA	CONTITECH	10 10-16 S 724			202
1600-4156 TA4	CONTITECH	4156 N P04**CA			202
1600-4156 PT6					202
1600-4156 PT8			WATSON & CHALIN	AS-0011	202
1600-4156 PT8			TRIANGLE	8310	202
1600-4156 PT8			TOYO	TRL240/393	202
1600-4156 PT8			RIDEWELL	1003589082C	202
1600-4156 PT8			REYCO	12882-01	202
1600-4156 PT8			R&S TRUCK&BODY	1090217	202
1600-4156 PT8			NEWAY	90044200/90044647	202
1600-4156 PT8			NEWAY	90557033/ 90557054	202

ARBENT REFERENCE	CROSS NAME	CROSS REFERENCE	OEM NAME	OEM REFERENCE	PAGE NO
1600-4156 PT8			NAVISTAR	517559C9	202
1600-4156 PT8			LOADGUARD	SC2035	202
1600-4156 PT8			HUTCHHENS	H-9630-01	202
1600-4156 PT8			HENDRICKSON	36514-7	202
1600-4156 PT8			HENDRICKSON	B2066	202
1600-4156 PT8			HENDRICKSON	B12514-007	202
1600-4156 PT8			HENDRICKSON	S11651	202
1600-4156 PT8			HDA	PMABG9082B	202
1600-4156 PT8			GRANNING	1359 / 1528 / 2727	202
1600-4156 PT8			DAYTON	352-9082	202
1600-4156 PT8			BELLE TRAILERS	BT0319	202
1600-4159 PT11	CONTITECH	4159 N P11			203
1600-4201 TA	GOODYEAR	1R14-201**CA			203
1600-4201 TA	CONTITECH	11 10.5-21 A			203
1600-4201 TA		965**CA			203
1600-4201 PTA	GOODYEAR	1R14-201			203
1600-4201 PTA	CONTITECH	11 10.5-21 A 965			203
1600-4201 LA	GOODYEAR	1R14-201**SA			203
1600-4201 LA	CONTITECH	11 10.5-21 A			203
1600-4201 LA		965**SA			203
1600-4619 LA	CONTITECH	64619			204
1600-5323 LA	FIRESTONE	W01-358-5323**SA	RIDEWELL	1003585323C	204
1600-5323 LA	CONTITECH	66.5-11 S 032**SA	GRANNING	7504	204
1600-5323 LA	FIRESTONE	1T14C-1			204
1600-6262 PTA	FIRESTONE	W01 358 6262	MERITOR	2 122 7742	204
1600-8050 TA	FIRESTONE	W01-358-8050	WESTAR PART	87-78050	204
1600-8050 TA	VIBRACOUSTIC	V1DK28A-8050	NAVISTAR	1685174C1	204
1600-8050 TA	FIRESTONE	1T19ZK-5.7	LOADGUARD	SC2052	204
1600-8050 TA	GOODYEAR	1R14-039	HENDRICKSON	B-4771	204
1600-8050 TA	CONTITECH	1110.5C-16A320	HENDRICKSON	S4771	204
1600-8050 TA			EUCLID PART	E-FS8050	204
1600-8050 TA			DAYTON	352-8050	204
1600-8050 TA			AUTOMANN PART	1D28K-8050	204
1600-8050 LA	FIRESTONE	W01-358-8050**SA	WATSON & CHALIN	AS-0039	205
1600-8050 LA	FIRESTONE	1T19J-6	TRIANGLE	8320	205
1600-8050 LA	GOODYEAR	1R14-039	RIDEWELL	1003588050C	205
1600-8050 LA			REYCO GRANNING	23631-01	205
1600-8050 LA			NAVISTAR	1685174C1	205
1600-8050 LA			LOADGUARD	SC2052	205
1600-8050 LA			HENDRICKSON	B12514-013	205
1600-8050 LA			HENDRICKSON	S4771	205
1600-8050 LA			DAYTON	352-8050	205
1600-8091 PTA	FIRESTONE	W01-358-8091	HENDRICKSON	S20901	205
1600-8091 PTA	GOODYEAR	1R14-171	HENDRICKSON	S21784	205
1600-8091 PTA	CONTITECH	1110.5A-16P532			205
1600-8091 LA	FIRESTONE	W01-358-8091**SA			205
1600-8204 TA	GOODYEAR	1R12-508**CA	TRIANGLE	8484	205
1600-8204 TA			NEWAY	90557173	205
1600-8204 TA			NEWAY	90557223	205
1600-8204 PTA	FIRESTONE	W01-358-8204	TRIANGLE	8484	206
1600-8204 PTA	GOODYEAR	1R12-508**CPL	NEWAY	90557173	206
1600-8204 PTA			NEWAY	90557223	206
1600-8204 LA	FIRESTONE	W01-358-8204**SA	TRIANGLE	8484	206
1600-8204 LA	GOODYEAR	1R12-508**SA	NEWAY	90557173	206
1600-8204 LA			NEWAY	90557223	206
1600-8533 PTA	FIRESTONE	W01-358-8533			206
1600-85360TA	FIRESTONE	W01-377-8536**CA			206
1600-8536 PTA	FIRESTONE	W01-377			207
1600-8536 PTA		8536**CPL			207
1600-8536 TALU	FIRESTONE	W01-377-8536			207
1600-8536 LA	FIRESTONE	W01-377-8536**SA			207
1600-8614 TA	FIRESTONE	W01-358-8614	HENDRICKSON TRAILER	S26773	207
1600-8614 TA	FIRESTONE	1T17CA-3			207
1600-8708 PTA	FIRESTONE	W01-358-8708	HENDRICKSON	S21966	208

ARBENT REFERENCE	CROSS NAME	CROSS REFERENCE	OEM NAME	OEM REFERENCE	PAGE NO
1600-8708 PTA	GOODYEAR	1R13-177			208
1600-8709 PTA	FIRESTONE	W01-358-8709	HENDRICKSON	S20900	208
1600-8709 PTA	GOODYEAR	1R13-159	HENDRICKSON	S21800	208
1600-8709 PTA	CONTITECH	1010.5-15P460			208
1600-8709 LA	FIRESTONE	W01-358-8709**SA			208
1600-8710 TA	FIRESTONE	W01-358-8710	HENDRICKSON	S21264	208
1600-8710 TA	CONTITECH	1010-15S711	HENDRICKSON	S22046	208
1600-8710 LA	FIRESTONE	W01-358-8710**SA			209
1600-8713 PTA	FIRESTONE	W01-358-8713	HENDRICKSON	S22948	209
1600-8713 LA	FIRESTONE	W01-358-8713**SA			209
1600-8729 PTA	FIRESTONE	W01-358-8729	MERITOR	202796	209
1600-8729 LA	FIRESTONE	W01-358-8729**SA			210
1600-8748 PTA	FIRESTONE	1T17B-11 W01 358 8748	NEWAY	90557167	210
1600-8748 PTA	GOODYEAR	1R13-152			210
1600-8748 PTA	CONTITECH	10 10-21 P 570			210
1600-8749 PTA	FIRESTONE	1T17B-11 W01 358 8749	TRIANGLE	84866394	210
1600-8749 PTA	GOODYEAR	1R13-153	NEWAY	90557168	210
1600-8749 PTA	CONTITECH	10 10-21 P 486			210
1600-8752 TA	FIRESTONE	W01-358-8752	WATSON & CHALIN	AS-0084	210
1600-8752 TA	GOODYEAR	1R13-097	TRIANGLE	8518	210
1600-8752 TA	CONTITECH	1010-15S518	SUSPENSIONS INC	201642	210
1600-8752 TA			RIDEWELL	1003588752C	210
1600-8752 LA	FIRESTONE	W01-358-8752**SA			211
1600-8753 TA	FIRESTONE	W01-358-8753			211
1600-8755 TA	FIRESTONE	W01-358-8755	TRIANGLE	8522	211
1600-8755 TA	GOODYEAR	1R13-124	HENDRICKSON	S22045	211
1600-8755 TA	CONTITECH	1010-15S522			211
1600-8755 LA	FIRESTONE	W01-358-8755**SA			211
1600-8774 PTA	FIRESTONE	W01-358-8774	HENDRICKSON	S25873	212
1600-8774 PTA	GOODYEAR	1R14-172			212
1600-8774 PTA	CONTITECH	1110.5F-17P745			212
1600-8774 LA	FIRESTONE	W01-358-8774**SA			212
1600-8792 TA	FIRESTONE	W01-358-8792	WESTAR PART	87-79122	212
1600-8792 TA	CONTITECH	4811NP03	WATSON & CHALIN	AS-0023	212
1600-8792 TA	GOODYEAR	1R14-045	TRIANGLE	8313	212
1600-8792 TA	CONTITECH	1110.5-21A313	SAURER	P50-732	212
1600-8792 TA			RIDEWELL	1003589122C	212
1600-8792 TA			REYCO GRANNING	12883-02	212
1600-8792 TA			NEWAY	90557020	212
1600-8792 TA			NEWAY	90557076	212
1600-8792 TA			NEWAY	90557077	212
1600-8792 TA			NEWAY	90557071	212
1600-8792 TA			NEWAY	90557185	212
1600-8792 TA			NAVISTAR	554772C1	212
1600-8792 TA			LOADGUARD	SC2041	212
1600-8792 TA			HENDRICKSON	506003	212
1600-8792 TA			HENDRICKSON	36514-2	212
1600-8792 TA			HENDRICKSON	36514-8	212
1600-8792 TA			HENDRICKSON	B3467	212
1600-8792 TA			HENDRICKSON	B 3830	212
1600-8792 TA			EUCLID PART	E-F59122	212
1600-8792 TA			AUTOMANN PART	1D28C-9122	212
1600-8792 LA	FIRESTONE	W01-358-8792**SA			212
1600-8792 LA	FIRESTONE	1T19L-11			212
1600-8793 PTA	FIRESTONE	W01-358-8793	NEWAY	90557270 AD-130	213
1600-8829 PTA	FIRESTONE	W01-358-8829	VOLVO	3934699	213
1600-8829 PTA	CONTITECH	910-16P449	VOLVO	20396293	213
1600-8829 PTA	GOODYEAR	1S12-035	VOLVO	20413888	213
1600-8829 PTA	GOODYEAR	1S12-002	VOLVO	8079902	213
1600-8829 PTA	GOODYEAR	1R12-615	VOLVO	8084296	213
1600-8829 PTA	GOODYEAR	1R12-405	VOLVO	8097092	213
1600-8829 PTA	GOODYEAR		TRIANGLE	8449	213
1600-8829 LA	FIRESTONE	W01-358-8829**SA	PETERBILT	03-07887	213
1600-8852 PTA	FIRESTONE	W01-358-8852			213

ARBENT REFERENCE	CROSS NAME	CROSS REFERENCE	OEM NAME	OEM REFERENCE	PAGE NO
1600-8852 PTA	CONTITECH	91019P472			213
1600-8852 PTA	GOODYEAR	1R12-568			213
1600-8852 LA	FIRESTONE	W01-358-8852**SA			214
1600-8852 LA	CONTITECH	91019P472**SA			214
1600-8852 LA	GOODYEAR	1R12-568** SA			214
1600-8853 TA	FIRESTONE	W01-358-8853	MERITOR	21226039	214
1600-8853 TA	CONTITECH	4179 N P06			214
1600-8853 PTA	FIRESTONE	W01-358-8853**CPL	MERITOR	21226039	214
1600-8853 PTA	CONTITECH	4179 N P06**CPL			214
1600-8864 PTA	FIRESTONE	W01-358-8864	PETERBILT	03-08716	214
1600-8929 PTA	FIRESTONE	W01-358-8929	HENDRICKSON	HA100016	215
1600-8929 PTA	CONTITECH	4156NP10			215
1600-8929 PTA	GOODYEAR	1R12-461			215
1600-8929 LA	FIRESTONE	W01-358-8929**SA			215
1600-8938 PTA	FIRESTONE	W01-358-8938	HENDRICKSON	58849-002	215
1600-8944 TA	FIRESTONE	W01-358-8944	TRIANGLE	8436	215
1600-8944 TA	GOODYEAR	1R12-366	HENDRICKSON	C20217	216
1600-8971 PTA	FIRESTONE	W01-358-8971	BLUE BIRD	59484-2	216
1600-9010 PTA	FIRESTONE	W01-358-9010	WATSON & CHALIN	AS-0044	216
1600-9010 PTA	CONTITECH	910-14P345	TRIANGLE	8345	216
1600-9010 PTA	GOODYEAR	1R12-352	RIDEWELL	1003589010C	216
1600-9010 PTA			REYCO	12928-01	216
1600-9010 PTA			HENDRICKSON	B2827	216
1600-9010 PTA			HENDRICKSON	S-11566	216
1600-9010 PTA			HENDRICKSON	S-2827	216
1600-9010 TA2					216
1600-9010 PT2					216
1600-9010 LA	FIRESTONE	W01-358-9010**SA			217
1600-9026 PTA	FIRESTONE	W01-358-9026	TRIANGLE	8393	217
1600-9026 PTA	GOODYEAR	1R12-567	PETERBILT	03-06213	217
1600-9026 PTA			PETERBILT	03-07111	217
1600-9039 TA	FIRESTONE	W01-358-9039	WESTAR PART	87-79039	217
1600-9039 TA	CONTITECH	4150NP04	RIDEWELL	1013589039C	217
1600-9039 TA	FIRESTONE	1T15M-0	R.O.R/MERITOR	21208939	217
1600-9039 TA	GOODYEAR	1R12-095	R.O.R/MERITOR	21211613	217
1600-9039 TA			R.O.R/MERITOR	21216135	217
1600-9039 TA			R&S TRUCK&BODY	1090218	217
1600-9039 TA			NEWAY	90557023085	217
1600-9039 TA			NEWAY	900-44-199	217
1600-9039 TA			NEWAY	905-57-011	217
1600-9039 TA			NEWAY	905-57-023	217
1600-9039 TA			NEWAY	905-57-085	217
1600-9039 TA			HENDRICKSON	B2064	217
1600-9039 TA			HENDRICKSON	NA1808	217
1600-9039 TA			EUCLID PART	E-FS9039	217
1600-9039 TA			BELLE TRAILERS	BT0321	217
1600-9039 TA			AUTOMANN PART	1DK23F-9039	217
1600-9039 PTA	FIRESTONE	W01-358-9039**CPL	R.O.R/MERITOR	21208939	217
1600-9039 PTA	CONTITECH	4150NP04**CPL	R.O.R/MERITOR	21211613	217
1600-9039 PTA	FIRESTONE	1T15M-0	R.O.R/MERITOR	21216135	217
1600-9039 PTA	GOODYEAR	1R12-095	NEWAY	90557011	217
1600-9039 PTA			NEWAY	90557085	217
1600-9039 PTA			NEWAY	B2064	217
1600-9039 PTA			HENDRICKSON	NA1808	217
1600-9039 PTA			HENDRICKSON	BT0321	217
1600-9039 PTA			BELLE TRAILERS		217
1600-9039 LA	FIRESTONE	W01-358-9039**SA	R.O.R/MERITOR	21208939	218
1600-9039 LA	CONTITECH	4150NP04	R.O.R/MERITOR	21211613	218
1600-9039 LA	FIRESTONE	1T15M-0	R.O.R/MERITOR	21216135	218
1600-9039 LA	GOODYEAR	1R12-095**SA	NEWAY	90557011	218
1600-9039 LA			NEWAY	90557023	218
1600-9039 LA			NEWAY	90557085	218
1600-9039 LA			HENDRICKSON	B2064	218
1600-9039 LA			HENDRICKSON	NA1808	218

ARBENT REFERENCE	CROSS NAME	CROSS REFERENCE	OEM NAME	OEM REFERENCE	PAGE NO
1600-9039 LA			BELLE TRAILERS	BT0321	218
1600-9069 PTA	FIRESTONE	W01-358-9069	WESTAR PART	87-79069	218
1600-9069 PTA	GOODYEAR	1R12-069	TRIANGLE	8312	218
1600-9069 PTA			PETERBILT	37112	218
1600-9069 PTA			PETERBILT	03-01649	218
1600-9069 PTA			PETERBILT	03-02038	218
1600-9069 PTA			PETERBILT	03-02456	218
1600-9069 PTA			PETERBILT	03-04759	218
1600-9069 PTA			PETERBILT	03-07112	218
1600-9069 PTA			PETERBILT	03-10042	218
1600-9069 PTA			PETERBILT	03-06746	218
1600-9069 PTA			INTERNATIONAL/NAVISTAR	554764C1	218
1600-9069 PTA			FODEN	1300248000	218
1600-9069 PTA			EUCLID PART	E-FS9069	218
1600-9069 PTA			DAYTON	352-9069	218
1600-9069 PTA			AUTOMANN PART	1DK231-9069	218
1600-9069 LA	FIRESTONE	W01-358-9069**SA	PETERBILT	03-01649	218
1600-9069 LA	FIRESTONE	1T15M-4	PETERBILT	03-02038	218
1600-9069 LA	GOODYEAR	1R12-069**SA	PETERBILT	03-02456	218
1600-9069 LA			PETERBILT	03-04759	218
1600-9069 LA			PETERBILT	03-07112	218
1600-9069 LA			PETERBILT	03-10042	218
1600-9069 LA			INTERNATIONAL/NAVISTAR	554764C1	218
1600-9069 LA			FODEN	1300248000	218
1600-9069 LA			DAYTON	352-9069	218
1600-9070 PTA	FIRESTONE	W01-358-9070	NEWAY	90557038	218
1600-9070 PTA			NEWAY	90557090	218
1600-9082 TA	FIRESTONE	W01-358-9082**CA	WEWELER	US09361F	219
1600-9082 TA	VIBRACOUSTIC	V1DK23K-9082	NEWAY	90557006	219
1600-9082 TA	CONTITECH	4156 N P14**CA	NEWAY	90557027	219
1600-9082 TA	CONTITECH	4156 NP04	NEWAY	90557031	219
1600-9082 TA	GOODYEAR	1R12-093	NEWAY	90557037	219
1600-9082 TA	GOODYEAR	1R12-092	NEWAY	90557075	219
1600-9082 TA			HENDRICKSON	B-2066	219
1600-9082 TA			BELLE TRAILERS	BT0319	219
1600-9082 LA	FIRESTONE	W01-358-9082**SA			219
1600-9082 LA	CONTITECH	4156 N P01			219
1600-9084 TA	FIRESTONE	W01-358-9084**CA			219
1600-9084 PTA	FIRESTONE	1T15M-6 / W01 681 9084	TUTHILL TECHNOLOGY	2692	220
1600-9084 PTA	FIRESTONE	1T15M-6	TRIANGLE	6363 / 8310	220
1600-9084 PTA	FIRESTONE	W01-358-9084	KWIK LOK / TODCO	CP-3281	220
1600-9096 TA	FIRESTONE	W01-358-9096**CA			220
1600-9096 PTA	FIRESTONE	W01-358-9096	FRUEHAUF	UCE1304	220
1600-9096 LA	FIRESTONE	W01-358-9096**SA			220
1600-9101 TA	FIRESTONE	W01-358-9101	WESTAR PART	87-79101	221
1600-9101 TA	VIBRACOUSTIC	V1DK23L-9101	WATSON & CHALIN	AS-0040	221
1600-9101 TA	CONTITECH	4159 N P04**CA	TRIANGLE	8315	221
1600-9101 TA	CONTITECH	4159 NP04	TRANSPART	531233	221
1600-9101 TA	FIRESTONE	1T15M-9	RIDEWELL	1003589101C	221
1600-9101 TA	GOODYEAR	1R12-717	REYCO	12883-01	221
1600-9101 TA	GOODYEAR	1R12-103	NEWAY	90557008	221
1600-9101 TA			NEWAY	90557009	221
1600-9101 TA			NEWAY	90557082	221
1600-9101 TA			HENDRICKSON	B3842	221
1600-9101 TA			EUCLID PART	E-FS9101	221
1600-9101 TA			E.R.F	139275-4	221
1600-9101 TA			AUTOMANN PART	1DK23L-9101	221
1600-9101 PTA	FIRESTONE	W01-358-9101	WATSON & CHALIN	AS-0040	221
1600-9101 PTA	CONTITECH	4159NP12	TRANSPART	531233	221
1600-9101 PTA	GOODYEAR	2R12-717**CPL	RIDEWELL	1003589101C	221
1600-9101 PTA	FIRESTONE	1T15M-9	NEWAY	90044201	221
1600-9101 PTA			NEWAY	90557008	221
1600-9101 PTA			NEWAY	90557009	221
1600-9101 PTA			NEWAY	90557082	221

ARBENT REFERENCE	CROSS NAME	CROSS REFERENCE	OEM NAME	OEM REFERENCE	PAGE NO
1600-9101 PTA			HENDRICKSON	B3842	221
1600-9101 PTA			E.R.F	139275-4	221
1600-9101 LA	FIRESTONE	W01-358-9101**SA			221
1600-9101 LA	GOODYEAR	1R12-113			221
1600-9104 PTA	FIRESTONE	W01-358-9104/1T 15M-9			221
1600-9104 LA	FIRESTONE	W01-358-9104**SA			222
1600-9105 PTA	FIRESTONE	W01-358-9105	WATSON & CHALIN	AS-0015	222
1600-9105 PTA	GOODYEAR	1R12-132**CPL	RIDEWELL	1003589105C	222
1600-9105 PTA			HENDRICKSON	S-1245	222
1600-9105 PTA			GRANNING	5065	222
1600-9121 TA	FIRESTONE	W01-358-9121	WESTAR PART	87-79121	222
1600-9121 TA	CONTITECH	4810N03	WATSON & CHALIN	AS-0013	222
1600-9121 TA	GOODYEAR	1R13-049	TRIANGLE	8317	222
1600-9121 TA	GOODYEAR	1R13-043	SAURER	P50-733	222
1600-9121 TA	GOODYEAR	1R13-039	RIDEWELL	1003589121C	222
1600-9121 TA			REYCO GRANNING	12882-02	222
1600-9121 TA			R&S TRUCK&BODY	1090023	222
1600-9121 TA			NEWAY	90557019	222
1600-9121 TA			NEWAY	90557052	222
1600-9121 TA			NEWAY	90557078	222
1600-9121 TA			NEWAY	90557083	222
1600-9121 TA			NEWAY	AR-70(ALL)	222
1600-9121 TA			NEWAY	AR-80(6.75)	222
1600-9121 TA			NEWAY	AR-85A	222
1600-9121 TA			EUCLID PART	E-FS9121	222
1600-9121 TA			AUTOMANN PART	1D28G-9121	222
1600-9121 LA	FIRESTONE	W01-358-9121**SA	NEWAY	90554078	222
1600-9121 LA	FIRESTONE	1T19L-7	NEWAY	90557019	222
1600-9121 LA	GOODYEAR	1R13-039**SA	NEWAY	90557052	222
1600-9121 LA			NEWAY	90557078	222
1600-9121 LA			NEWAY	90557083	222
1600-9122 TA	FIRESTONE	W01-358-9122**CA	NEWAY	90557020	223
1600-9122 TA	FIRESTONE	1T19L-11	NEWAY	90557076	223
1600-9122 TA	GOODYEAR	1R13-038	NEWAY	90557077	223
1600-9122 TA			HENDRICKSON	506003	223
1600-9122 TA			HENDRICKSON	36514-2	223
1600-9122 TA			HENDRICKSON	36514-8	223
1600-9122 TA			HENDRICKSON	B3467	223
1600-9122 TA			HENDRICKSON	B3830	223
1600-9122 PTA	FIRESTONE	W01-358-9122	NEWAY	90557020	223
1600-9122 PTA	FIRESTONE	1T19L-11	NEWAY	90557076	223
1600-9122 PTA	GOODYEAR	1R13-038	NEWAY	90557077	223
1600-9122 PTA			HENDRICKSON	506003	223
1600-9122 PTA			HENDRICKSON	36514-2	223
1600-9122 PTA			HENDRICKSON	36514-8	223
1600-9122 PTA			HENDRICKSON	B3467	223
1600-9122 PTA			HENDRICKSON	B3830	223
1600-9122 LA	FIRESTONE	1T19L-11 W01 358	NEWAY	09557 020/076/077	223
1600-9122 LA		9122**SA	HENDRICKSON	B3830	223
1600-9122 LA	GOODYEAR	1R13-038**SA	WESTAR PART	87-79130	223
1600-9130 TA	FIRESTONE	W01-358-9130	TRIANGLE	8321	223
1600-9130 TA	CONTITECH	910-19P321	HENDRICKSON	B13161	223
1600-9130 TA	GOODYEAR	1R12-714	EUCLID PART	E-FS9130	223
1600-9130 TA	GOODYEAR	1R12-281	AUTOMANN PART	1DK23L-9130	223
1600-9130 LA	FIRESTONE	W01-358-9130**SA			224
1600-9130 TA8	CONTITECH	4159 N P08			224
1600-9141 TA	FIRESTONE	W01-358-9141	SAF HOLLAND	90557110	224
1600-9141 TA	GOODYEAR	1R14-215			224
1600-9141 PTA	FIRESTONE	W01-358-9141**CPL	SAF HOLLAND	90557110	224
1600-9141 PTA	GOODYEAR	1R14-215**CPL			224
1600-9144 TA	FIRESTONE	W01-358-9144	TRIANGLE	8377	225
1600-9144 TA			SAF HOLLAND	90557323	225
1600-9144 TA			NEWAY	90557155	225
1600-9144 TA			NAVISTAR	1681748C1	225

ARBENT REFERENCE	CROSS NAME	CROSS REFERENCE	OEM NAME	OEM REFERENCE	PAGE NO
1600-9156 TA	FIRESTONE	W01-358-9156**CA	PEERLESS	0550-00080	225
1600-9156 TA	GOODYEAR	1R14-019**CA	HENDRICKSON	S-7128	225
1600-9156 TA	CONTITECH	1110.5-21A370**CA			225
1600-9156 PTA	FIRESTONE	W01-358-9156	PEERLESS	0550-00080	225
1600-9156 PTA	GOODYEAR	1R14-019	HENDRICKSON	S-7128	225
1600-9156 PTA	CONTITECH	1110.5-21A370			225
1600-9156 LA	FIRESTONE	W01-358-9156**SA			225
1600-9158 TA	FIRESTONE	W01-358-9158**CA	TRIANGLE	8318	226
1600-9158 TA	CONTITECH	4811 N P04**CA	RIDEWELL	1003589158C	226
1600-9158 TA	GOODYEAR	1R14-054**CA	NEWAY	900-44-197	226
1600-9158 TA		1R14-031**CA		905-57-005	226
1600-9158 TA		1R14-030**CA		905-57-069	226
1600-9158 TA			HENDRICKSON	B-12514-004	226
1600-9158 TA				B-12514-011	226
1600-9158 TA				S-2063	226
1600-9158 PTA	FIRESTONE	W01-358-9158	TRIANGLE	8318	226
1600-9158 PTA	CONTITECH	4811NP04	RIDEWELL	1003589158C	226
1600-9158 PTA	GOODYEAR	1R14-054	NEWAY	900-44-197	226
1600-9158 PTA		1R14-031		905-57-005	226
1600-9158 PTA		1R14-030		905-57-069	226
1600-9158 PTA			HENDRICKSON	B-12514-004	226
1600-9158 PTA				B-12514-011	226
1600-9158 PTA				S-2063	226
1600-9158 LA	FIRESTONE	W01-358-9158**SA			226
1600-9177 TA	FIRESTONE	W01-358-9177	TRIANGLE	8316	226
1600-9177 TA	CONTITECH	4810NP04	RIDEWELL	1003589177C	226
1600-9177 TA	GOODYEAR	1R14-029	R&S TRUCK&BODY	1090216	226
1600-9177 TA		1R14-028	NEWAY	905-57-003	226
1600-9177 TA			HENDRICKSON	S-2065	226
1600-9177 LA	FIRESTONE	W01-358-9177**SA			227
1600-9192 TA	FIRESTONE	W01-358-9192**CA			227
1600-9192 PTA	FIRESTONE	W01-358-9192	WESTAR PART	87-79192	227
1600-9192 PTA	CONTITECH	910-19P326	WATSON & CHALIN	AS-0038	227
1600-9192 PTA		4159 N P13		AS-0046	227
1600-9192 PTA	GOODYEAR	1R12-167		8326	227
1600-9192 PTA			NEWAY	905-57-086	227
1600-9192 PTA				905-57-108	227
1600-9192 PTA			HENDRICKSON	B-6195	227
1600-9192 PTA				S-6195	227
1600-9192 PTA			EUCLID PART	E-F59192	227
1600-9192 PTA			AUTOMANN PART	1DK23L-9192	227
1600-9192 LA	FIRESTONE	W01-358-9192**SA			227
1600-9203 PTA	FIRESTONE	W01-358-9203	TRIANGLE	8355	228
1600-9203 PTA	GOODYEAR	1R12-395**CPL	TAURUS	AS509-9203	228
1600-9203 PTA			RIDEWELL	1003589203C	228
1600-9203 PTA			MIDLAND/HALDEX	CS112395	228
1600-9203 PTA			HENDRICKSON TRAILER	S2694	228
1600-9203 PTA			DAYTON PARTS	3529203	228
1600-9213 TA	FIRESTONE	W01-358-9213**CA	NAVISTAR	1660581C-1**CA	228
1600-9213 TA	GOODYEAR	1R12-090**CA		501559C-1 **CA	228
1600-9213 TA				501559C-2 **CA	228
1600-9213 PTA	FIRESTONE	W01-358-9213	WESTAR PART	87-7913	228
1600-9213 PTA	CONTITECH	910-16P441	EUCLID PART	E-F59213	228
1600-9213 PTA	GOODYEAR	1R12-090	AUTOMANN PART	1DK23K-9213	228
1600-9213 LA	FIRESTONE	W01-358-9213**SA			228
1600-9213 LA		1T15M-6			228
1600-9213 LA	FIRESTONE	W01-358-9213**SA			228
1600-9213 LA		1T15M-6			228
1600-9219 TA	FIRESTONE	W01-358-9219	VOLV/GM	350003-3201	229
1600-9219 TA	GOODYEAR	1R12-182	(HEAVY DUTY TRUCK	350003-3204	229
1600-9219 TA				350003-3209	229
1600-9219 TA				352223-3203	229
1600-921 TA1	FIRESTONE	W01-358-9466	MARMON	49207	229
1600-921 TA2	GOODYEAR	1R12-365**CA	MACK	49674-1&2 (57QL411M	229

ARBENT REFERENCE	CROSS NAME	CROSS REFERENCE	OEM NAME	OEM REFERENCE	PAGE NO
1600-921 TA3			HENDRICKSON	49048 (Ford	229
1600-9223 LA	FIRESTONE	W01-358-9223**SA	SAF HOLLAND	57009223	229
1600-9223 LA	CONTITECH	9 10-16 P 409**SA	REYCO	12884-01	229
1600-9223 LA	GOODYEAR	1R12-188**SA	HENDRICKSON	48195-2	229
1600-9241 PTA	FIRESTONE	W01-358-9241	TRIANGLE	8358	229
1600-9241 PTA	GOODYEAR	1R12-261**CPL	TAURUS	A5509-9241	229
1600-9241 PTA			SUSPENSIONS INC	200041	229
1600-9241 PTA			HENDRICKSON	S-4375	229
1600-9241 PTA			DALLAS SPRING	AS9241	229
1600-9243 PTA	FIRESTONE	W01-358-9243	WATSON & CHALIN	AS-0061	230
1600-9243 PTA	GOODYEAR	1R12-480	NEWAY	90557112	230
1600-9250 TA	FIRESTONE	1T15V-11 W01 358 9250	TRIANGLE	8324 6371	230
1600-9250 TA	GOODYEAR	1R13-115 566-26-3-044	RIDEWELL	1003589250C	230
1600-9265 TA	FIRESTONE	W01-358-9265	WESTAR PART	87-79265	230
1600-9265 TA	CONTITECH	910-19P435	TRIANGLE	8435	230
1600-9265 TA	GOODYEAR	1R12-375	HENDRICKSON	HT-250T	230
1600-9265 TA				HT-250U	230
1600-9265 TA				HT-250U-Y	230
1600-9265 TA				S20124	230
1600-9265 TA			EUCLID PART	E-FS9265	230
1600-9265 TA			AUTOMANN PART	1DK23L-9265	230
1600-9265 LA	FIRESTONE	W01-358-9265**SA	HENDRICKSON	C20124	230
1600-9265 LA		1T15MW-10			230
1600-9265 LA	GOODYEAR	1R12-375**SA			230
1600-9270 TA	FIRESTONE	W01-358-9270	WESTAR PART	87-79270	231
1600-9270 TA	CONTITECH	910-13.5S433	TRIANGLE	8433	231
1600-9270 TA			HENDRICKSON	S-20010	231
1600-9270 TA				S-25559	231
1600-9270 TA			EUCLID PART	E-FS9270	231
1600-9270 TA			AUTOMANN PART	1DK231-9270	231
1600-9270 LA	FIRESTONE	W01-358-9270**SA	TRIANGLE	8406 6391	231
1600-9287 TA	CONTITECH	9 10-18.5 P 406	HENDRICKSON	50405	231
1600-9287 TA	FIRESTONE	1T15MT-8		50898-2	231
1600-9287 TA	GOODYEAR	1S12-027 566-24-1-012		50405-1	231
1600-9287 TA		1R12-424 566-24-3-097		50405-2	231
1600-9287 TA	FIRESTONE	W01-358-9287		HA-360/400/460	231
1600-9293 PTA	FIRESTONE	W01-358-9293	WESTAR PART	87-79293	231
1600-9293 PTA	GOODYEAR	1R12-501	TRIANGLE	8424	231
1600-9293 PTA		1R11-912	NEWAY	905-57-120	231
1600-9293 PTA		1R10-120	EUCLID PART	E-FS9293	231
1600-9293 PTA			AUTOMANN PART	1DK20E-9293	231
1600-9293 LA	FIRESTONE	W01-358-9293**SA			232
1600-9293 LA	CONTITECH	99K-15P424**SA			232
1600-9293 LA	FIRESTONE	1T15LP-5			232
1600-9294 PTA	FIRESTONE	W01-358-9294			232
1600-9296 TA	CONTITECH	9 10-16 P 416	VOLVO	8061151	232
1600-9296 TA	FIRESTONE	1T15M-6		8169869	232
1600-9296 TA	GOODYEAR	1R12-400 566-24-3-038	TRIANGLE	8416 6363	232
1600-9296 TA	FIRESTONE	W01-358-9296			232
1600-9296 PTA	FIRESTONE	W01-358-9296	VOLVO	8061151	232
1600-9296 PTA				8169868	232
1600-9697 TA	FIRESTONE	W01-358-9297	TRIANGLE	8520	233
1600-9697 TA	GOODYEAR	1R12-402**CA	HENDRICKSON	50898-1&2 (GM & Ford	233
1600-9297 PTA	GOODYEAR	1R12-402**CPL	HENDRICKSON	50898-1	233
1600-9297 PTA				50898-2	233
1600-9297 PTA				64051-2	233
1600-9320 PTA	FIRESTONE	W01-358-9320	TRIANGLE	8360	233
1600-9320 PTA	CONTITECH	910-21P360	NEWAY	905-57-099	233
1600-9320 PTA	GOODYEAR	1R12-363			233
1600-9320 LA	FIRESTONE	W01-358-9320**SA			233
1600-9321 TA	FIRESTONE	W01-358-9321	WESTAR PART	87-79321	234
1600-9321 TA	GOODYEAR	1R12-256	WATSON & CHALIN	AS-0036	234
1600-9321 TA			TRIANGLE	8361	234
1600-9321 TA			HENDRICKSON	N5501304	234

ARBENT REFERENCE	CROSS NAME	CROSS REFERENCE	OEM NAME	OEM REFERENCE	PAGE NO
1600-9321 TA			EUCLID PART	E-FS9321	234
1600-9321 TA			AUTOMANN PART	1DK23N-9321	234
1600-9321 PTA	FIRESTONE	W01-358-9321**CPL	WATSON & CHALIN	AS-0036	234
1600-9321 PTA	GOODYEAR	1R12-256**CPL			234
1600-9321 LA	FIRESTONE	W01-358-9321**SA	HENDRICKSON	NS501304	234
1600-9321 LA		1T15M-11			234
1600-9321 LA	GOODYEAR	1R12-256**SA			234
1600-9346 PTA	FIRESTONE	W01-358-9346	WATSON & CHALIN	AS-0056	234
1600-9346 PTA	GOODYEAR	1R12-439	TRIANGLE	8470	234
1600-9346 PTA			NEWAY	90557126	234
1600-9362 PTA	FIRESTONE	W01-358-9362	WATSON & CHALIN	AS-0049	235
1600-9362 PTA	GOODYEAR	1R12-441	TRIANGLE	8391	235
1600-9362 PTA			NEWAY	90557113	235
1600-9366 PTA	FIRESTONE		WATSON & CHALIN	AS-0054	235
1600-9366 PTA	GOODYEAR		TRIANGLE	8488	235
1600-9366 PTA			NEWAY	90557160	235
1600-9366 PTA				90557210	235
1600-9366 PTA				90557225	235
1600-9367 TA	FIRESTONE	W01-358-9367**CA	WATSON & CHALIN	AS0104	235
1600-9367 TA				AS0137	235
1600-9367 TA			HENDRICKSON AUXILARY	3319	235
1600-9367 TA				S14249	235
1600-9367 PTA	FIRESTONE	W01-358-9367	WATSON & CHALIN	AS0104	235
1600-9367 PTA				AS0137	235
1600-9367 PTA			HENDRICKSON AUXILARY	3319	235
1600-9367 PTA				S14249	235
1600-9370 PTA	FIRESTONE	W01-358-9370	WATSON & CHALIN	AS-0057	236
1600-9370 PTA	GOODYEAR	1R12-503	TRIANGLE	8448	236
1600-9370 PTA		1R12-440			236
1600-9370 LA	FIRESTONE	W01-358-9370**SA			236
1600-9371 PTA	FIRESTONE	W01-358-9371	NAVISTAR	1670073C-1	236
1600-9371 PTA	CONTITECH	910-18.5P521		1686386C-1	236
1600-9371 PTA	GOODYEAR	1R12-401		2027911C-1	236
1600-9371 LA	FIRESTONE	W01-358-9371**SA			236
1600-9373 PTA	FIRESTONE	W01-358-9373	WESTAR PART	87-79373	237
1600-9373 PTA	CONTITECH	910-18.5P440	TRIANGLE	8451	237
1600-9373 PTA		9 10-18.5 P 519 (BK	HENDRICKSON	57122-001	237
1600-9373 PTA	GOODYEAR	1R12-403		57122-2	237
1600-9373 PTA			EUCLID PART	E-FS9373	237
1600-9373 LA	FIRESTONE	W01-358-9373**SA	HENDRICKSON	57122-2	237
1600-9373 LA		1T15MT-8			237
1600-9373 LA	FIRESTONE	W01-358-9373**SA	HENDRICKSON	57122-2	237
1600-9373 LA		1T15MT-8			237
1600-9375 PTA	FIRESTONE	W01-358-9375	TRIANGLE	8451	237
1600-9375 PTA	CONTITECH	910-18.5P451	MACK	57QL414M	237
1600-9375 PTA	GOODYEAR	1S12-031	HENDRICKSON	50899-1	237
1600-9375 PTA		1R12-404		50899-2	237
1600-9375 LA	FIRESTONE	W01-358-9375**SA			237
1600-9391 TA	FIRESTONE	W01-358-9391 1T15L-4	R.O.R/MERITOR	21223269	238
1600-9391 LA			R.O.R/MERITOR	21223269	238
1600-9394 PTA	FIRESTONE	W01-358-9394	TRIANGLE	8383	238
1600-9394 PTA	CONTITECH	910-19A358	HENDRICKSON	B13161	238
1600-9394 PTA	GOODYEAR	1R12-281	FRUEHAUF	UCE-9393-2	238
1600-9394 PTA		1R12-279		UCE-9393-3	238
1600-9394 LA	FIRESTONE	W01-358-9394**SA		UCE-9393-4	238
1600-9422 PTA	FIRESTONE	W01-358-9422	WESTAR PART	87-79422	239
1600-9422 PTA	CONTITECH	4151NP03	KENWORTH	K303-14	239
1600-9422 PTA	GOODYEAR	1R11-028		K303-15	239
1600-9422 PTA				K303-6	239
1600-9422 PTA			GOODYEAR	8314	239
1600-9422 PTA			EUCLID PART	E-FS9422	239
1600-9422 PTA			AUTOMANN PART	1DK20D-9422	239
1600-9422 LA	FIRESTONE	W01-358-9422**SA			239
1600-9439 PTA	FIRESTONE	W01-358-9439**CPL	NOVABUS	N16374	239

ARBENT REFERENCE	CROSS NAME	CROSS REFERENCE	OEM NAME	OEM REFERENCE	PAGE NO
1600-9439 PTA	GOODYEAR	1R11-121	MAHOWK	53-14006-002	239
1600-9439 PTA			FLEXIBLE	6-336-200	239
1600-9448 PTA	FIRESTONE	W01-358-9448	RIDEWELL	1003589448C	239
1600-9448 PTA	GOODYEAR	1R11-150	ELDORADO BUS	7090	239
1600-9448 LA	FIRESTONE	W01-358-9448**SA			240
1600-9459 PTA	FIRESTONE	W01-358-9459	TRIANGLE	6368	240
1600-9459 PTA		1T15L-2	RIDEWELL	1003589459C	240
1600-9459 PTA	GOODYEAR	1R11-152	MERITOR	22581451	240
1600-9459 PTA			CHANCE BUS	23891728	240
1600-9470 PTA	FIRESTONE	W01-358-9470	SAF HOLLAND	90557145	240
1600-9470 PTA	CONTITECH	9 10-17.5 P 501		90557211	240
1600-9471 PTA	FIRESTONE	W01 358 9471	NEWAY	90557146	240
1600-9471 PTA	GOODYEAR	1R12-504			240
1600-9472 PTA	FIRESTONE	W01-358-9472	NEWAY	90557147	241
1600-9472 PTA	CONTITECH	9 10-17.5 P 573		90557178	241
1600-9472 PTA	GOODYEAR	1R12-553		90557181	241
1600-9472 PTA				90557213	241
1600-9473 PTA	FIRESTONE	W01-358-9473	NEWAY	90557152	241
1600-9473 PTA	GOODYEAR	1R12-586		90557179	241
1600-9473 PTA				90557215 (152)	241
1600-9491 PTA	FIRESTONE	W01-358-9491	SAF HOLLAND	90557206	241
1600-9491 PTA	CONTITECH	9 10B-17.5 P 554 (BK)	NEWAY	90557206	241
1600-9501 PTA	FIRESTONE	W01-358-9501	NEWAY	90557214	241
1600-9504 PTA	FIRESTONE	W01-358-9504	SAF HOLLAND	90557216	242
1600-9504 PTA	GOODYEAR	1R12-486			242
1600-9508 TA	FIRESTONE	W01-358-9508	FRUEHAUF	UJA0930	242
1600-9508 TA				UJB1304-1	242
1600-9508 LA	FIRESTONE	W01-358-9508**SA			242
1600-9541 PTA	FIRESTONE	W01-358-9541	KENWORTH	C81-1005	242
1600-9541 PTA	CONTITECH	99-10P861			242
1600-9541 PTA	GOODYEAR	1R11-268			242
1600-9541 LA	FIRESTONE	W01-358-9541**SA			243
1600-9547 TA	FIRESTONE	W01-358-9547**CA	KENWORTH	C81 -1004	243
1600-9547 TA	CONTITECH	99-9 P 859**CA			243
1600-9547 PTA	FIRESTONE	W01-358-9547	KENWORTH	C81 -1004	243
1600-9547 PTA	CONTITECH	99-9 P 859			243
1600-9579 TA	FIRESTONE	W01-358-9579	HENDRICKSON TRAILER	S21208	243
1600-9579 LA	FIRESTONE	W01-358-9579**SA			244
1600-9580 TA	FIRESTONE	W01-358-9580	WESTAR PART	87-79580	244
1600-9580 TA	GOODYEAR	1R13-144	TRIANGLE	8434	244
1600-9580 TA		1R13-118	HENDRICKSON	C20127	244
1600-9580 TA	CONTITECH	1010-21P434	EUCLID PART	E-FS9580/9262	244
1600-9580 TA			E.R.F	139855-0	244
1600-9580 LA	FIRESTONE	W01-358-9580**SA			244
1600-9616 PTA	FIRESTONE	W01-358-9616	NEWAY	90557250	244
1600-9616 LA					245
1600-9617 TA	FIRESTONE	W01-358-9617 **CA	TRIANGLE	8514	245
1600-9617 TA	GOODYEAR	1R11-219	KENWORTH	K-303-18	245
1600-9617 PTA	FIRESTONE	W01-358-9617	TRIANGLE	8514	245
1600-9617 PTA	CONTITECH	99-9 P 860	KENWORTH	K-303-18	245
1600-9617 PTA	GOODYEAR	1R11-219			245
1600-9618 TA	FIRESTONE	W01-358-9618	TRIANGLE	8538	245
1600-9618 TA	GOODYEAR	1R11-220	KENWORTH	K-303-19	245
1600-9622 TA	GOODYEAR	1R11-221			246
1600-9622 PTA	FIRESTONE	W01-358-9622	KASSBOHRER	K-303-22	246
1600-9622 PTA	GOODYEAR	1R11-221			246
1600-9622 LA	GOODYEAR	1R11-221**SA			246
1600-9625 PTA	FIRESTONE	W01-358-9625	TRIANGLE	8538	246
1600-9625 PTA		1T15LA-0	KENWORTH	K-303-23	246
1600-9625 PTA	GOODYEAR	1R11-222		K-303-25	246
1600-9625 LA	FIRESTONE	W01-358-9625**SA			247
1600-9626 PTA	FIRESTONE	W01-358-9626	HENDRICKSON TRAILER	AA230L	247
1600-9626 PTA				S23720	247
1600-9634 PTA	FIRESTONE	W01-358-9634	FREIGHTLINER	16-14263-000	247

ARBENT REFERENCE	CROSS NAME	CROSS REFERENCE	OEM NAME	OEM REFERENCE	PAGE NO
1600-9634 PTA	CONTITECH	9 10-14 P 575		16-14263-001	247
1600-9634 PTA				16-15443-000	247
1600-9634 LA	FIRESTONE	W01-358-9634**SA	FREIGHTLINER	16-14263-000	247
1600-9634 LA	CONTITECH	9 10-14 P 575**SA		16-14263-001	247
1600-9634 LA				16-15443-000	247
1600-9640 TA	FIRESTONE	W01-358-9640	TRIANGLE	8427	248
1600-9640 TA	CONTITECH	910-12A427	HENDRICKSON	HS-190T	248
1600-9640 TA	GOODYEAR	1R12-367		HT-190T	248
1600-9640 TA				S20223	248
1600-9640 LA	FIRESTONE	W01-358-9640**SA			248
1600-9644 PTA	FIRESTONE	W01-358-9644	HENDRICKSON	S-23721	248
1600-9644 PTA	CONTITECH	9 10BP-16 P 569			248
1600-9645 PTA	FIRESTONE	W01-358-9645	TRIANGLE	8564	248
1600-9645 PTA	CONTITECH	910BP-22P739	HENDRICKSON	AA250L	248
1600-9645 PTA				S23612	248
1600-9645 LA	FIRESTONE	W01-358-9645**SA			249
1600-9646 PTA	FIRESTONE	W01-358-9646	HENDRICKSON	S-23611	249
1600-9646 PTA	CONTITECH	9 10BP-20 P 738			249
1600-9647 PTA	FIRESTONE	W01-358-9647	MACK		249
1600-9647 PTA		1T15MT-8	HENDRICKSON TRUCK		249
1600-9647 PTA			HENDRICKSON		249
1600-9648 PTA	FIRESTONE	W01-358-9648	NAVISTAR	2027911C1	249
1600-9648 PTA	CONTITECH	910-18.5P456		2027911C2	249
1600-9648 PTA	GOODYEAR	1R12-538			249
1600-9648 LA	FIRESTONE	W01-358-9648**SA			250
1600-9654 PTA	FIRESTONE	W01-358-9654	HENDRICKSON	65032-2	250
1600-9654 PTA	CONTITECH	9 10-18.5 P 097			250
1600-9663 PTA	FIRESTONE	W01-455-9663	HENDRICKSON	6027-002	250
1600-9663 PTA		W01-358-9663			250
1600-9663 PTA	CONTITECH	9 10-18.5 P 939			250
1600-9663 PTA	FIRESTONE	1T15M-8			250
1600-9675 PTA	FIRESTONE	W01-358-9675	WATSON & CHALIN	AS0169	250
1600-9675 PTA			TRIANGLE	8576	250
1600-9675 PTA			KASSBOHRER	K-303-22	250
1600-9780 PTA	FIRESTONE	W01-358-9780	FREIGHTLINER	161673000	251
1600-9780 PTA	CONTITECH	9 10S-16 A 382		1613810000	251
1600-9780 PTA	FIRESTONE	1T15ZR-6			251
1600-9780 PTA	GOODYEAR	1R12-303			251
1600-9781 TALU	FIRESTONE	W01-358-9781	FREIGHTLINER	1613840000	251
1600-9781 TALU	CONTITECH	910S16A382		1616773000	251
1600-9781 TALU	FIRESTONE	1T15ZR-6		6813200017	251
1600-9781 TALU	GOODYEAR	1R12-603		A1614004000	251
1600-9781 TALU2	FIRESTONE	W01-358-9781	FREIGHTLINER	1613840000	251
1600-9781 TALU3	CONTITECH	910S16A382		1616773000	251
1600-9781 TALU4	FIRESTONE	1T15ZR-6		6813200017	251
1600-9781 TALU5	GOODYEAR	1R12-603		A1614004000	251
1600-9781 LA	FIRESTONE	W01-358-9781**SA			251
1600-9782 TA	FIRESTONE	W01-358-9782	FREIGHTLINER	1613810000	252
1600-9782 TA		1T15ZR-6		1616773000	252
1600-9782 TA				6813200017	252
1600-9782 TA				A1614004000	252
1600-9782 TA				1613810001	252
1600-9807 PTA	FIRESTONE	W01-358-9807	SAF HOLLAND	50857000	252
1600-9807 PTA	CONTITECH	9 10-13.5 P 874		90557372	252
1600-9875 PTA	FIRESTONE	W01-358-9875	INTERNATIONAL	3541731C1	252
1600-9875 PTA	GOODYEAR	1R12-432			252
1600-9875 LA	FIRESTONE	W01-358-9875**SA	NAVISTAR/FLEETRITE	3541731C1	252
1600-9875 LA	GOODYEAR	1R12-432**SA	INTERNATIONAL	3541731C1	252
1600-9921 PTA	FIRESTONE	W01-358-9921	WATSON & CHALIN	AS-0090	253
1600-9921 PTA	GOODYEAR	1R12-502	TRIANGLE	8443	253
1600-9921 PTA			NEWAY	90557117	253
1600-9923 PTA	CONTITECH	9 10-17.5 P 429	TRIANGLE	84296391	253
1600-9923 PTA	FIRESTONE	1T15M-8			253
1600-9923 PTA	GOODYEAR	1R12-481 566-24-3-097			253

ARBENT REFERENCE	CROSS NAME	CROSS REFERENCE	OEM NAME	OEM REFERENCE	PAGE NO
1600-9923 PTA	FIRESTONE	W01-358-9923			253
1600-9935 PTA	FIRESTONE	W01-358-9935	NEWAY	90557157	253
1600-9935 LA	FIRESTONE	W01-358-9935**SA			253
1600-9936 PTA	FIRESTONE	W01-358-9936	NEWAY	90557300	254
1600-9936 PTA	GOODYEAR	1R12-499		90557156 (RL-228-14,15,16)	254
1600-9974 TA	FIRESTONE	W01-358-9974	SAF HOLLAND	90557332	254
1600-9974 PTA	FIRESTONE	W01-358-9974**CPL	SAF HOLLAND	90557333**CPL	254
1600-220 DD1	CONTITECH	FD 200-19 P02	GRANNING	15784	256
1600-220 DD1	FIRESTONE	W01-M58-7756	HENDRICKSON	H5506616	256
1600-220 DD1	VIBRACOUSTIC	V SP 2 B 12 R-11		Q7321000	256
1600-220 DD1				H5505613	256
1600-220 DD1				H5506118	256
1600-220 DD1			MERCEDES	9423206021	256
1600-220 DD1				A9423270601	256
1600-220 DD1				A9423205821	256
1600-220 DD4	AIRKRAFT	2B-220 113001	DAF	21222663	256
1600-220 DD4	CF GOMMA	206797		654464	256
1600-220 DD4	CONTITECH	FD200-19 G1/4	GRANNING	15603	256
1600-220 DD4		FD 200-19 1/4 M10	MERITOR	21221395	256
1600-220 DD4	DUNLOP	S09201NB	PEGASO	528919 5236	256
1600-220 DD4	DUNLOP UK	01128A-AP		528919 5231	256
1600-220 DD4	FIRESTONE	W01-M58-6887		528919 5266	256
1600-220 DD4		W01-M58-6910	ROR	21222663	256
1600-220 DD4		W01-M58-7887		21221395	256
1600-220 DD4	GART	T291 / 2 (291.2.200)	TERBERG	21074519	256
1600-220 DD4	GOODYEAR	2b9-223	WEWELER	06910F	256
1600-220 DD4		2B9-201			256
1600-220 DD4	PHOENIX	SP 2B12 R1/4			256
1600-220 DD4	PIRELLI	T20			256
1600-220 DD4	PRIMERIDE	5200-19 A P01			256
1600-220 DD4	VIBRACOUSTIC	SP 2 B 12 R			256
1600-220 DD7	AIRKRAFT	2B-220 113021			256
1600-220 DD20	CONTITECH	FD 200-19 P02	GRANNING	15784	256
1600-220 DD20	FIRESTONE	W01-M58-7756	HENDRICKSON	H5506616	256
1600-220 DD20	VIBRACOUSTIC	V SP 2 B 12 R-11		Q7321000	256
1600-220 DD20				H5505613	256
1600-220 DD20				H5506118	256
1600-220 DD20			MERCEDES	9423206021	256
1600-220 DD20				A9423270601	256
1600-220 DD20				A9423205821	256
1600-305 3D1	BMC	57RS3066424	AIRKRAFT	3B-305 HYD 115021	257
1600-310 3D1	GRANNING	17017	AIRKRAFT	3B-310 HYD 115008	257
1600-310 3D1			GART	T271/S (271.3.296)	257
1600-315 DD1	HENDRICKSON	H5507906/P	AIRKRAFT	2B-315 113320	257
1600-315 DD1			PHOENIX	SP2B22-Ra-2	257